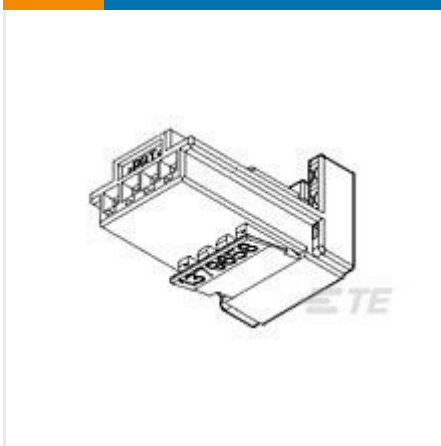




+ CONNECTORS

CONNECTOR HOUSINGS



✓ Active

TE CONNECTIVITY (TE)

4W RCPT HSG CODING 1 BLAC

TH/.025 Connector System

1379658-1

TE Internal Number: 1379658-1

EU RoHS Compliant

EU ELV Compliant

Connector System Wire-to-Board, Wire-to-Device, Wire-to-Wire

Connector Style Housing for female terminals

Mating Tab Width .64 mm [.025 in]

Sealable No

Centerline (Pitch) (in) .087

[↓](#) **PRODUCT DRAWING**
English

[↓](#) **3D PDF**

DOCUMENTATION

Product Drawings

025 TH 4 POS PLUG HOUSING

PDF

English

CAD Files

3D PDF

PDF

3D

Customer View Model

2D_DXF.ZIP

English

Customer View Model

3D_IGS.ZIP

English

Customer View Model

3D_STP.ZIP

English

Product Specifications

Product Specification

CONNECTEURS TH PC-PL

PDF

English

Instruction Sheets

Instruction Sheet (non U.S.)

CONNECTIQUE TH POUR RACCORDEMENT FIL-FIL

PDF

English

FEATURES



Please review product documents or [contact us](#) for the latest agency approval information.

Please Note: Use the Product Drawing for all design activity.

Product Type Features

Connector System Wire-to-Board, Wire-to-Device, Wire-to-Wire

Connector Style Housing for female terminals

Sealable No

Hybrid Connector No

Terminates To Wire & Cable

Primary Locking Feature On the terminal

Strain Relief No

Configuration Features

Number of Positions 4

Number of Rows 1

Electrical Characteristics

Nominal Voltage Architecture (V) 12

Operating Voltage (VDC) 14

Body Features

Color Black

Cable Exit Angle 180°

Body Material PBT

Contact Features

Mating Tab Width .64 mm [.025 in]

Mechanical Attachment

Mounting Feature No

Terminal Position Assurance Yes

Polarized Yes

Housing Features

Centerline (Pitch) (in) .087

Pitch (mm) 2.2

Dimensions

Width 19 mm [.748 in]

Height 10.05 mm [.396 in]

Length 11.8 mm [.465 in]

Usage Conditions

Operating Temperature Range -40 – 100 °C [-40 – 212 °F]

Operating Temperature (Max) (°C) 70, 75, 80, 85, 90, 100

Operating Temperature (Max) (°F) 158, 167, 176, 185, 194, 212

Operation/Application

Circuit Application Signal

Industry Standards

UL Flammability Rating UL 94-HB

Packaging Features

Packaging Method Bag

Packaging Quantity 900

Other

Connector Position Assurance Capable No

Serviceable Yes

Statement of Compliance

Statement of Compliance

PDF
