

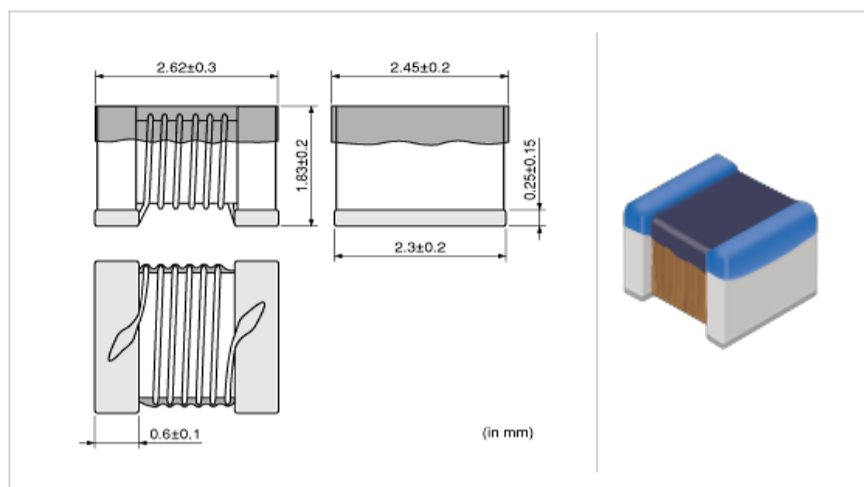
LQW2UAS1R0J00#

" # " indicates a package specification code.

Available **General** **125** **Wound** **Thickness** **Reflow** **RoHS**
(No Shield) 2.03mm max. OK

< List of part numbers with package codes >
 LQW2UAS1R0J00L , LQW2UAS1R0J00B

Shape



L size	2.62 ± 0.3mm
W size	2.45 ± 0.2mm
T size	1.83 ± 0.2mm
Size code in inch (mm)	1008 (2520)

References

Packaging code	Specifications	Minimum quantity
L	180mm Embossed taping	2000
B	Packing in bulk	500

Mass (Typ.)	
1 piece	0.039g

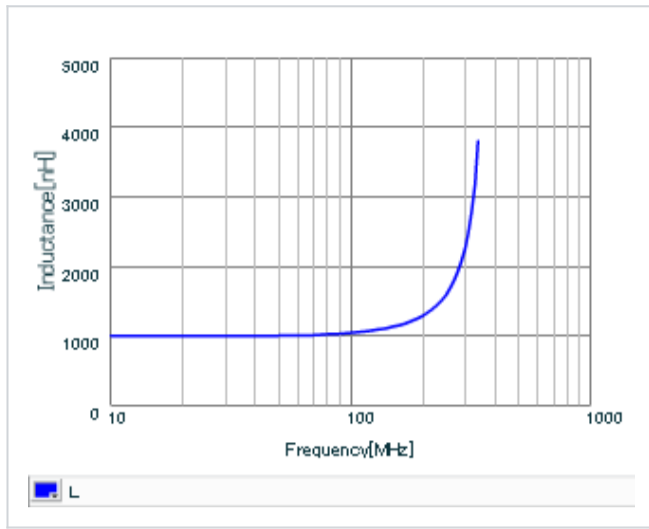
Specifications

Inductance	1000nH ± 5%
Inductance test frequency	25MHz
Rated current (Itemp) (Based on Temperature rise)	370mA
Max. of DC resistance	1.75
Q (min.)	35
Q test frequency	50MHz
Self resonance frequency (min.)	290MHz
Operating temperature range (Self-temperature rise is not included)	-55 ~ 125

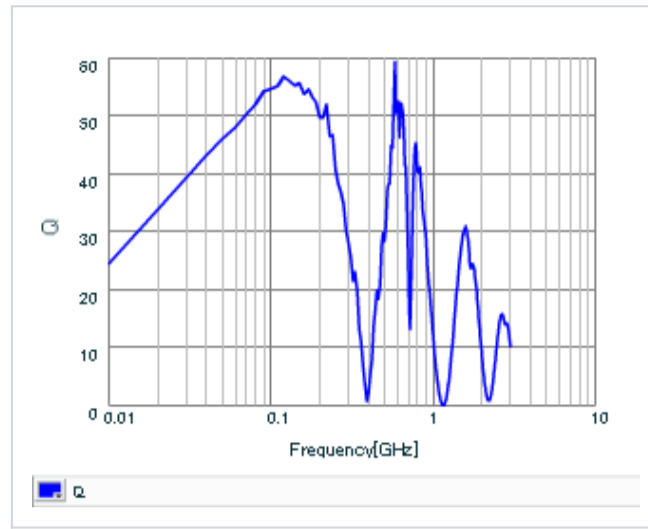
Attention

- 1.This datasheet is downloaded from the website of Murata Manufacturing Co., Ltd. Therefore, it ' s specifications are subject to change or our products in it may be discontinued without advance notice. Please check with our sales representatives or product engineers before ordering.
- 2.This datasheet has only typical specifications because there is no space for detailed specifications. Therefore, please review our product specifications or consult the approval sheet for product specifications before ordering.

▪ Inductance-Frequency characteristics (Typ.)



▪ Q-Frequency characteristics (Typ.)



This PDF data has only typical specifications because there is no space for detailed specifications.

Therefore, please review our product specifications or consult the approval sheet for product specifications before ordering.