

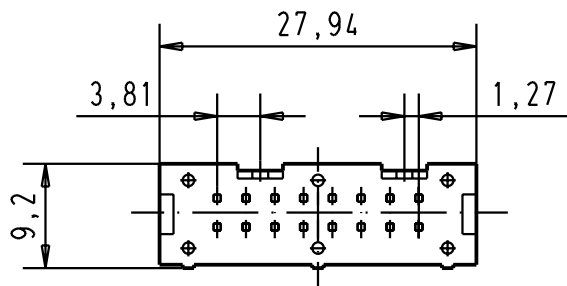
5

4

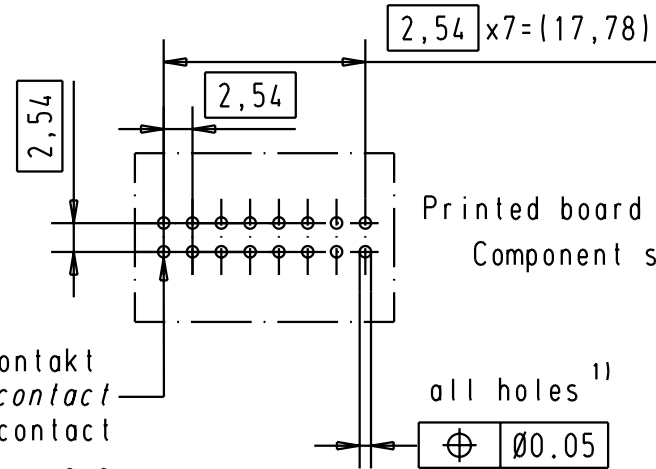
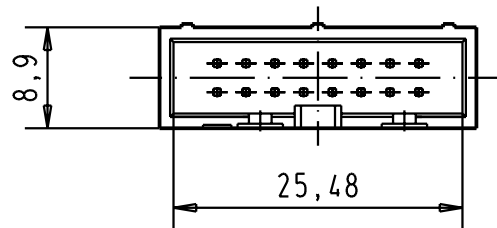
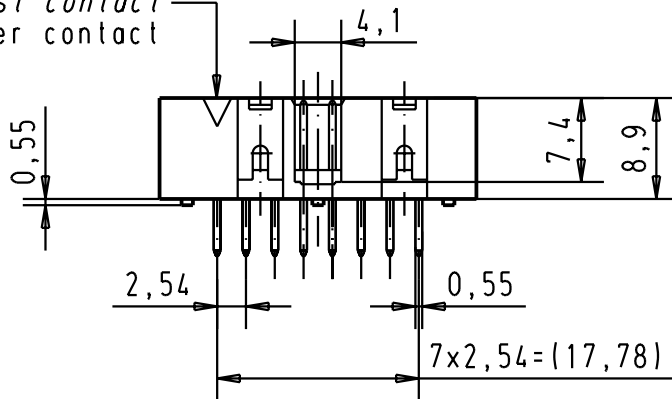
3

2

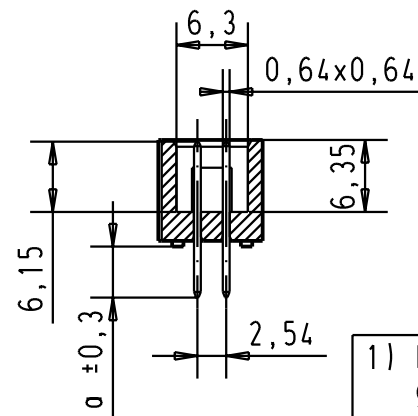
1



1. Kontakt
1st contact
1er contact

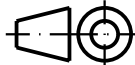



1. Kontakt
1st contact
1er contact



1) Einlotstifte passend für Lochungen
 $\varnothing 1 \pm 0,1$ nach IEC 60326-3
Solder pins for PCB connections
 $\varnothing 1 \pm 0,1$ as per IEC 60326-3
A souder pour des trous de $\varnothing 1 \pm 0,1$
selon IEC 60326-3

A

09195167322	3	4,5											
09195166322	2	4,5				Detail.	25-APR-02	CV	 All Dim. in mm Orig. Size DIN A 4	SEK 19 Male connector 16 poles, low profile, high temperature with straight pins	Maßstab/ Scale 1.5:1		
09195165322	0.76 $\mu\text{m Au}$	4,5			Insp.								
09195167324	3	2,9			Stand.								
09195166324	2	2,9				HARTING EUROL F-95972 Paris				TB 0919516x32x	Blatt/ Page 1 / 2		
09195165324	0.76 $\mu\text{m Au}$	2,9	29778	25-APR-02	CV								
Part-No.	performance level	0	Mod.	Dat.	Name				Sub.				