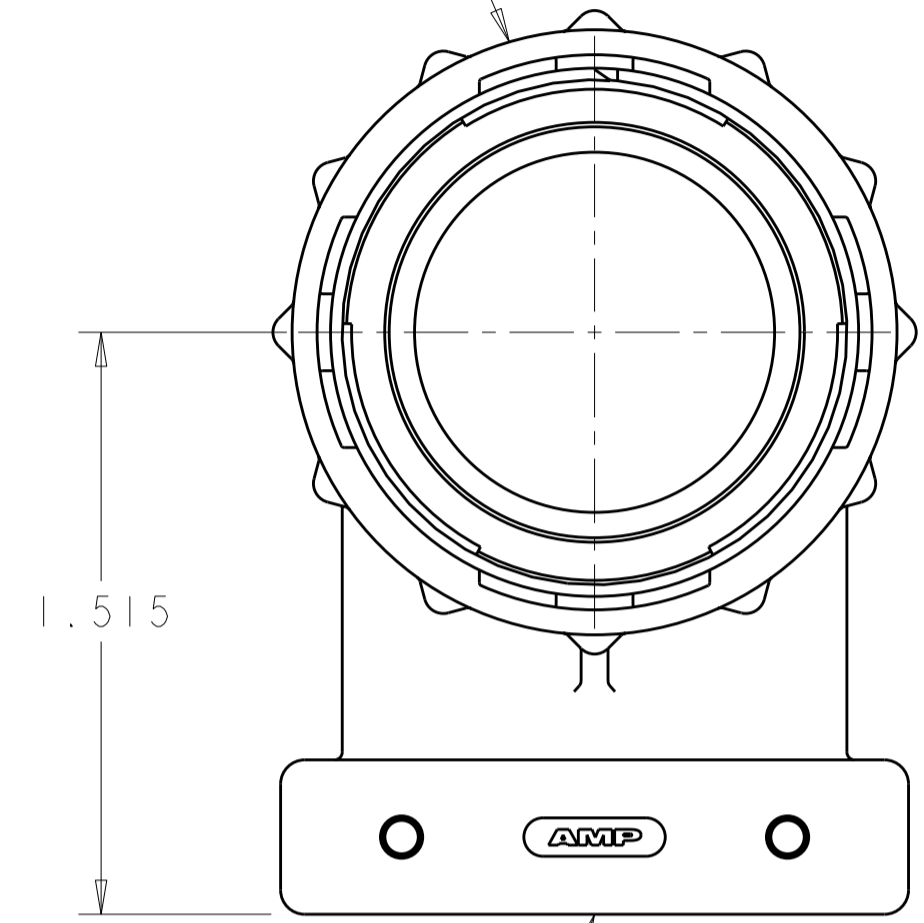


THIS DRAWING IS UNPUBLISHED. RELEASED FOR PUBLICATION
 © COPYRIGHT 20 BY TYCO ELECTRONICS CORPORATION. ALL RIGHTS RESERVED.

LOC	DIST	REVISIONS			
P	LTR	DESCRIPTION	DATE	DWN	APVD
FT	0	B	REVISED PER ECO-09-009260	07MAY2009	HMR MS

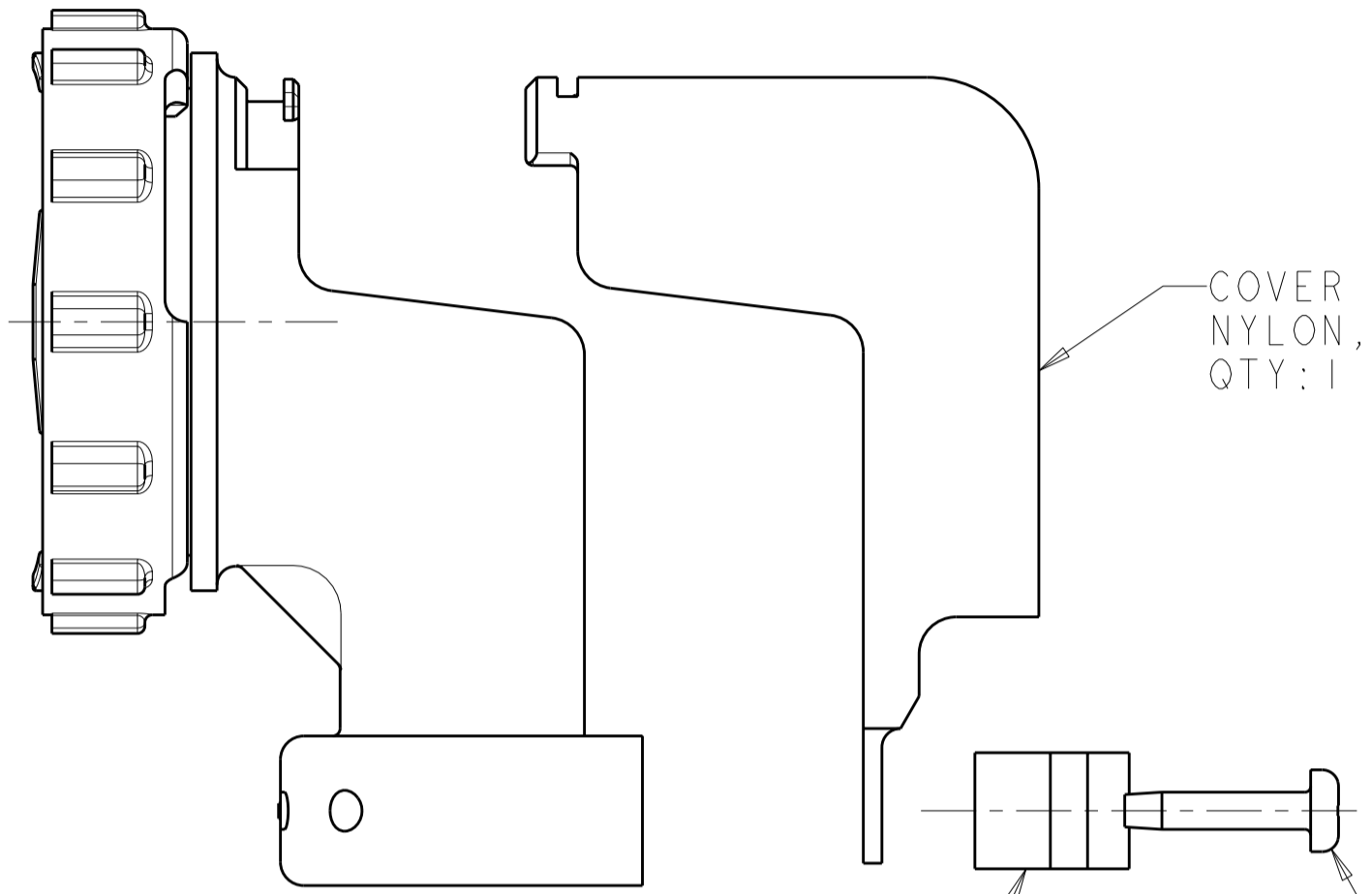
COUPLING RING
 NYLON, COLOR:BLACK

FLAT RING



CABLE CLAMP BODY
 NYLON, COLOR:BLACK

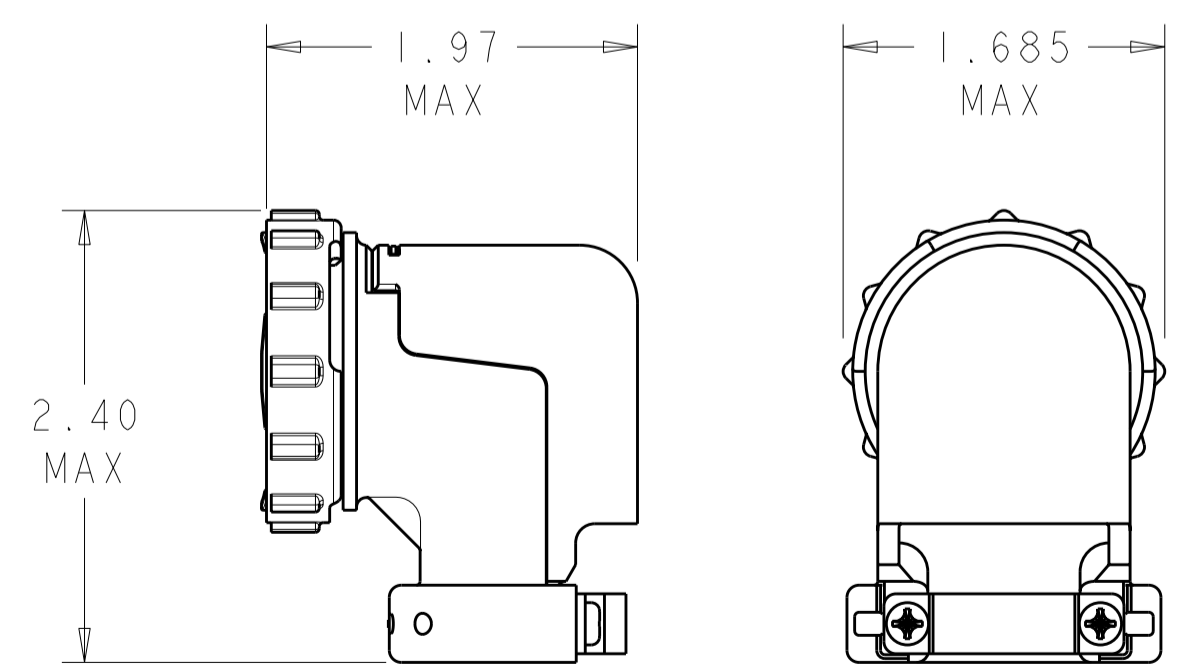
COVER
 NYLON, COLOR:BLACK
 QTY:1



CABLE CLAMP INSERT
 NYLON, COLOR:BLACK
 QTY:2

5-20 SELF TAPPING SCREW
 MATERIAL: STEEL
 FINISH: ³
 QTY:2

- ¹ SELF TAPPING SCREWS AND CABLE CLAMP INSERTS PACKAGED UNASSEMBLED.
- ² CLAMPING AREA ADJUSTABLE TO .703 O.D. MAX CABLE. CABLE CLAMP INSERTS CAN BE ADJUSTED BY INVERTING OR CHANGING CABLE CLAMP INSERT.
- ³ SCREW FINISH ZINC WITH NON HEXAVALENT CHROMATE.



ASSEMBLED VIEW
 SCALE: 1:1

1546350-2
1546350-1
PART NUMBER

THIS DRAWING IS A CONTROLLED DOCUMENT FOR TYCO ELECTRONICS CORPORATION IT IS SUBJECT TO CHANGE AND THE CONTROLLING ENGINEERING ORGANIZATION SHOULD BE CONTACTED FOR THE LATEST REVISION.		DWN S.WELDON 13AUG2002	AMP Incorporated	
DIMENSIONS: INCHES		CHK S.HEADER 13AUG2002	Harrisburg, PA 17105-3608	
TOLERANCES UNLESS OTHERWISE SPECIFIED:		APVD S.HEADER 13AUG2002	NAME CABLE CLAMP KIT, UNASSEMBLED, R/A, W/COVER, SIZE 23, CPC	
0 PLC ±-	1 PLC ±-	PRODUCT SPEC	SIZE	RESTRICTED TO
2 PLC ±-	3 PLC ±0.005	APPLICATION SPEC	A200779	-
4 PLC ±-	ANGLES ±-	WEIGHT	CAGE CODE	DRAWING NO
FINISH		CUSTOMER DRAWING	1546350	SCALE 2:1 SHEET 1 OF 1 REV B