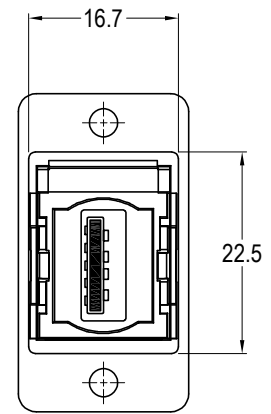
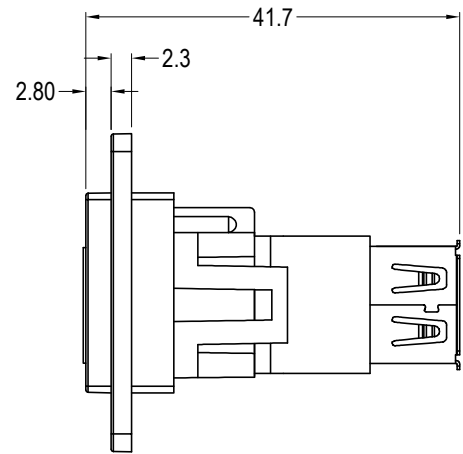
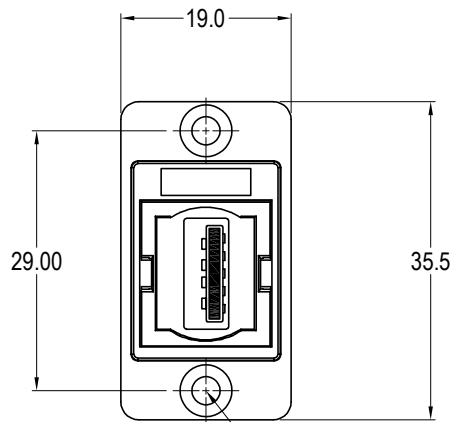
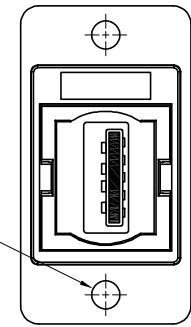
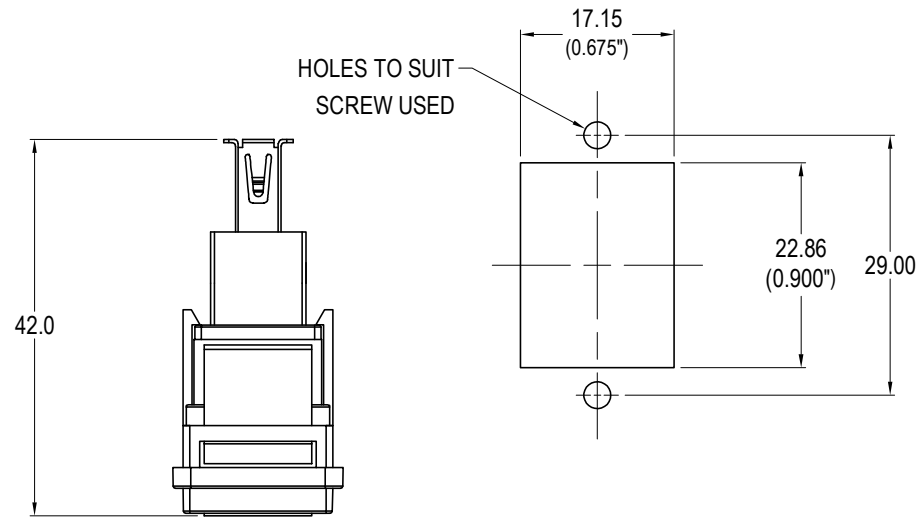


ISS.	AMEND	DATE
1	ISSUED	07/01/21

DUAL MOUNT  
CAN BE FRONT OR REAR MOUNTED



VARIANTS	
PART NO.	HOLE DETAILS
CP30705NMB	HOLE Ø3.2 x CSK 90° x Ø5.85
CP30705NMB3	M3 HOLES
CP30705NMB440	#4-40 HOLES
CP30705NMBX1	PLAIN HOLE Ø3.2

4x HOLE VARIANTS  
Ø3.2mm CSK 90° x Ø5.85  
M3 x 0.5 THREAD  
#4-40 UNC THREAD  
PLAIN Ø3.2 HOLES

Specification:  
1. Voltage rating: 30V AC  
2. Current rating: 1.8A max  
3. Contact resistance: 50mΩ max  
4. Insulation resistance: 20MΩ min  
5. Dielectric withstanding voltage: 500V AC  
6. Operating Temperature: -20°C to 50°C

Material:  
1. Insert: ABS UL94 HB  
2. FT Frame: Diecast, Black  
3. Inner Overmouldings: PE + PVC  
4. Shell: Nickel plated steel  
5. Contacts: Gold Plated

<b>RoHS</b> ✓ COMPLIANT
TOLERANCE
NO DEC. PLACE ±
1 DEC. PLACE ±
2 DEC. PLACE ±
HOLE Ø ±
ANGLES ±
UNLESS OTHERWISE STATED
DO NOT SCALE

**Cliff Electronic Components Ltd.**  
76 Holmethorpe Avenue, Holmethorpe Industrial Estate,  
Redhill, Surrey, RH1 2PF, England, UK  
Tel: 01737-771375 Fax: 01737-766012 Website: www.cliffuk.co.uk

THE CONTENTS OF THIS DOCUMENT MUST NOT BE COPIED OR DISCLOSED TO A 3rd PARTY WITHOUT WRITTEN PERMISSION OF CLIFF UK. © 2021

DIMENSIONS IN MILLIMETERS UNLESS OTHERWISE STATED. WORK TO DIMENSIONS. REMOVE ALL BURRS. IF IN DOUBT ASK.

MATERIAL: See Notes  
FINISH: See Notes  
DRAWN: T.J.O. APPROVED: D.P.J.

3rd ANGLE PROJECTION:

TITLE: DUAL SLIM BLACK METAL FT USB3 A-A  
DRWG. No. CP30705NMB FORM: A4DRWGH