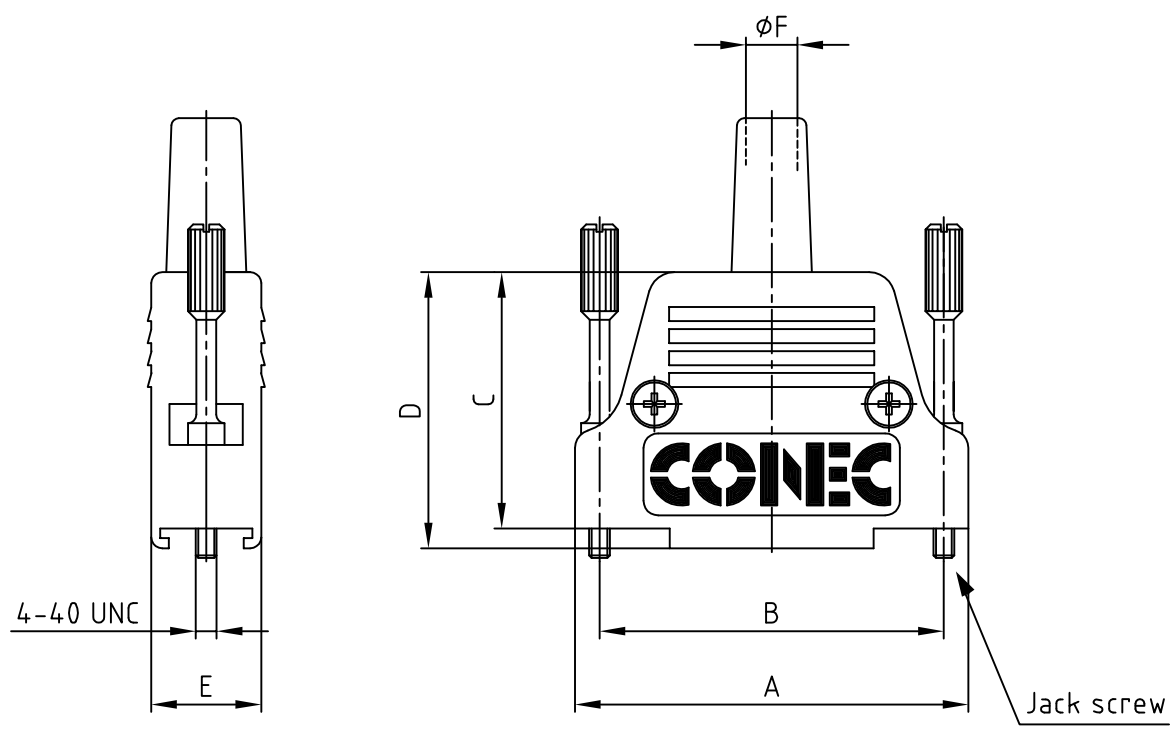


used for: D-SUB



No. of pos.	A	B	C	D	E	øF	Part NO. Bulk package	Part NO. Single package
9	31.7	25.0	30.0	32.7	15.0	5.0	165X17309X	165X17309XE
15	40.0	33.3	32.0	34.7	15.0	5.0	165X17319X	165X17319XE
25	53.7	47.0	35.0	37.7	15.0	7.0	165X17329X	165X17329XE
37	70.2	63.5	41.0	43.7	15.0	7.0	165X17339X	165X17339XE
50	67.8	61.1	41.0	43.7	17.7	9.3	165X17349X	165X17349XE

ⓑ

Directive 2002/95/EC RoHS compliant

THIS DRAWING MAY NOT BE COPIED OR REPRODUCED IN ANY WAY, AND MAY NOT BE PASSED ON TO A THIRD PARTY WITHOUT WRITTEN PERMISSION.
 OWNERSHIP AND COPYRIGHT OF CONEC GmbH
 DO NOT ALTER CAD DRAWING BY HAND

tolerance				scale: 1:1	
material:		title:		FULL METAL HOOD 9-50pos. with straight cable exit with jack screws	
2002	date	name		dwg no: AutoCAD 2000	
drawn	30.01.	Parei		DIN-A	
appd.	30.01.	E. Mickenbecker		4	
norm				sh: 1/1	
d-old				part no: SEE TABLE	
1 x b	Ä4159	15.11.2011	K.H.		
a	Original				
rev.	description	date	name		



title: FULL METAL HOOD
 9-50pos. with straight cable exit
 with jack screws
 dwg no: AutoCAD 2000
 16K1A465A
 part no: SEE TABLE

Mouser Electronics

Authorized Distributor

Click to View Pricing, Inventory, Delivery & Lifecycle Information:

[CONEC:](#)

[165X17309X](#) [165X17319X](#)