



Features

- High power density
- Can withstand ITU-T K.20, K.21 and K.45 basic test requirements
- RoHS compliant*

Applications

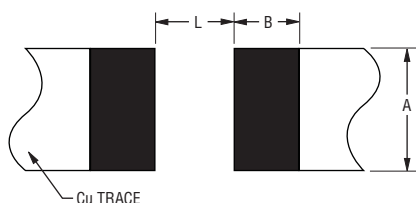
- Telecom ports designed for Metallic Ended Line Test (MELT) functionality
- ADSL and VDSL2 telecom ports
- Telecom line test equipment

CRM2512-FT Series Power Resistor

Electrical Characteristics

Characteristic	CRM2512-FT
Power	2 W
Resistance	10K to 1M Ohms (E24)
Working Voltage	300 V
Short Time Overload Voltage	600 V
Operating Temperature Range	-55 °C to +155 °C
TCR	±100 PPM/°C
Surge Characteristics (Per ITU-T K.20, K.21 and K.45 Test Requirements) Wave Shape Overvoltage	10/700 1.5 KV ±5 pulses 600 Vrms, 600 ohms, 0.2 seconds

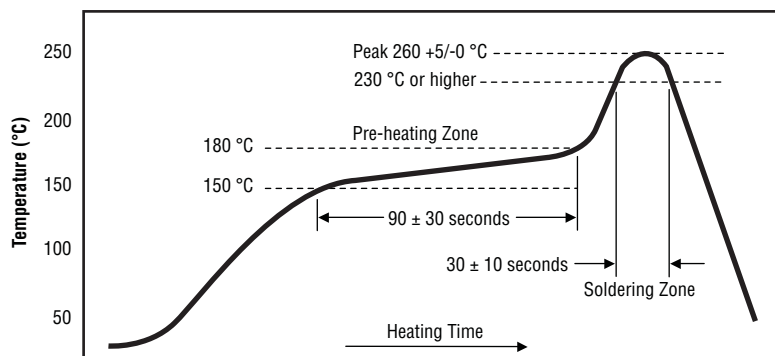
Recommended Solder Pad Layout



DIMENSIONS: $\frac{\text{MM}}{\text{(INCHES)}}$

Model	A	B	L
CRM2512-FT	$\frac{3.7}{(0.146)}$	$\frac{2.45}{(0.096)}$	$\frac{2.7}{(0.106)}$

Soldering Profile



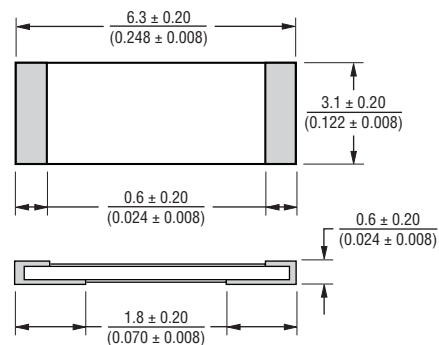
General Information

The Model CRM2512-FT is a power resistor rated to 2 watts continuous power in a small 2512 size package. It can withstand ITU-T K.20, K.21 and K.45 basic test requirements and is aimed at telecom applications.

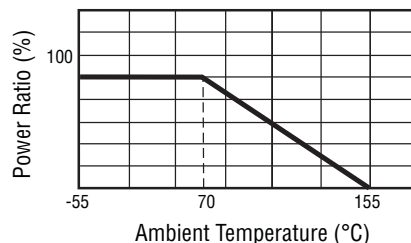
Characteristic Data

Test	ΔR Max.
Load Life (1000 hours)	< 1 %
Short Term Overload	< 1 %
Thermal Shock	< 0.5 %
600 Vrms, 600 Ohms, 0.2 Seconds, 5 Applications (R>20K)	< 1 %
600 Vrms, 600 Ohms, 0.1 Seconds, 5 Applications (R<20K)	< 1 %
10/700 1.5 kV, ±5 Applications	< 1 %

Product Dimensions



Derating Curve



*RoHS Directive 2002/95/EC Jan 27 2003 including Annex. Specifications are subject to change without notice. Customers should verify actual device performance in their specific applications

CRM2512-FT Series Power Resistor

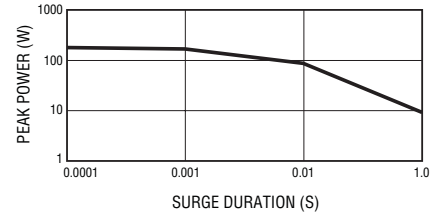
BOURNS®

How to Order

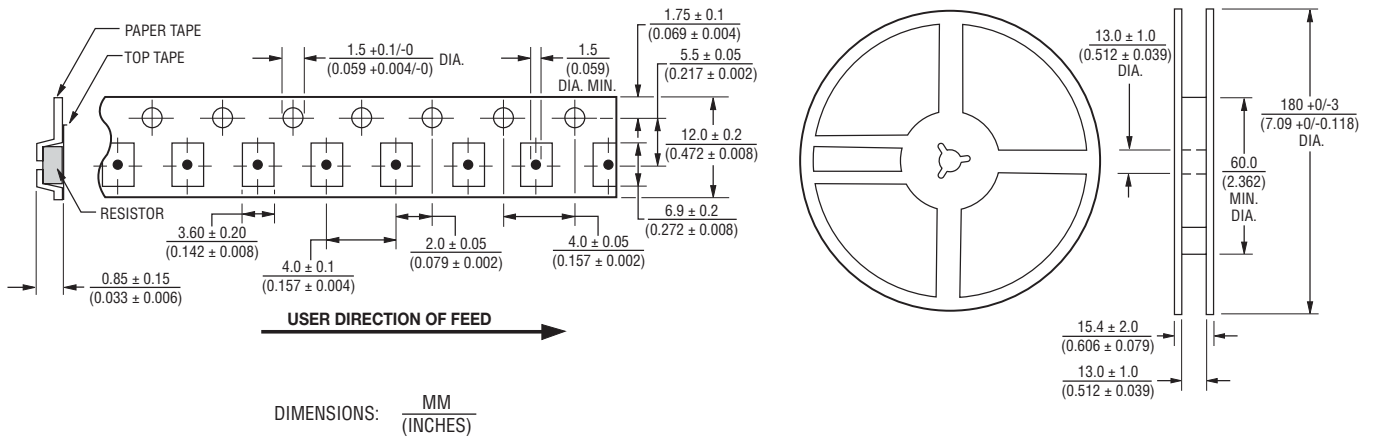
CRM 2512 - F T - 1202 E LF

- Model _____
 (CRM = High Power Resistor)
- Size _____
 2512 = 2512 Size
- Resistance Tolerance _____
 • F = ±1 %
- Function _____
 • T = Special Resistor Layout for Telecom Applications
- Resistance Value _____
 First three digits are significant, fourth digit represents number of zeros to follow
- Packaging _____
 • E = 4000 pieces on 180 mm (7 inch) reel
- Terminations _____
 • LF = Tin-plated (RoHS Compliant)

Pulse Load Characteristics



Packaging Dimensions (Conforms to EIA RS-481A)



REV. 05/22/09

Specifications are subject to change without notice.
 Customers should verify actual device performance in their specific applications