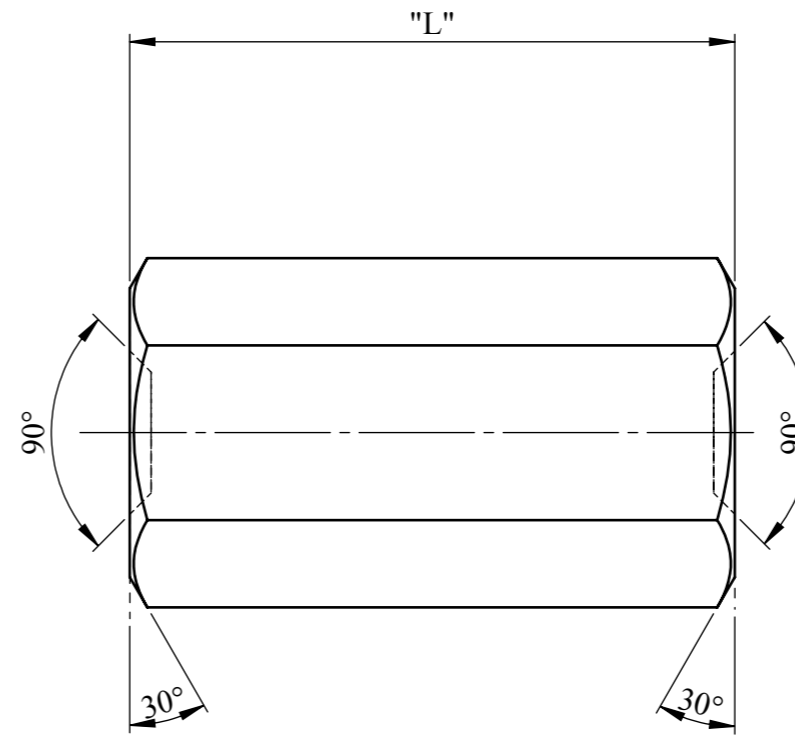
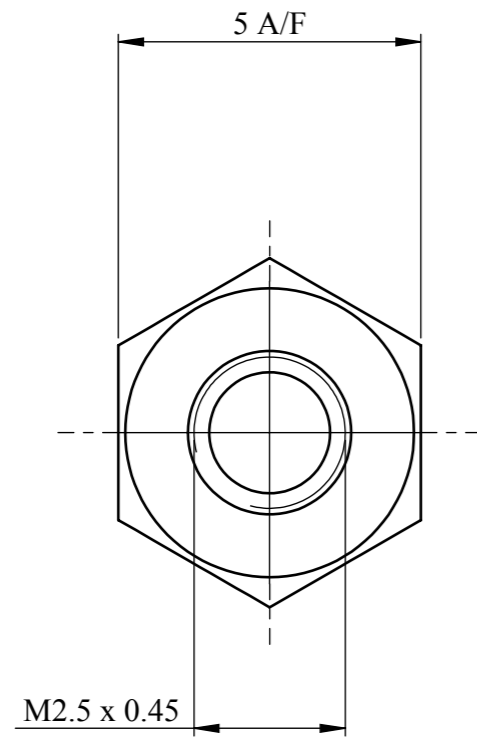


DEBUR AND BREAK SHARP EDGES

DO NOT SCALE DRAWING

REVISION



THREAD SIZE	"L"	PART NUMBER
M2.5 x 0.45	8.5	FAHSSFFM2.5-8.5-5
	10	FAHSSFFM2.5-10-5
	12	FAHSSFFM2.5-12-5
	15	FAHSSFFM2.5-15-5

NOTES



DESIGN RIGHT. TR FASTENINGS LTD, 2003
 UNDER NO CIRCUMSTANCES MUST THIS
 DRAWING BE COPIED OR DISCLOSED,
 WITHOUT FIRST OBTAINING WRITTEN
 AUTHORITY.

UNLESS OTHERWISE SPECIFIED:
 DIMENSIONS ARE IN MILLIMETERS
 SURFACE FINISH:
 TOLERANCES:

ISO 2768 m	
NAME	DATE
DRAWN MARTIN ELLIOTT	07/12/15
CHK'D	
APP'VD	

CUSTOMER PART No

MATERIAL:

STEEL - 11SMnPb30

HEAT TREATMENT

N/A

FINISH:

ZINC PLATED A3F

TITLE:

M2.5 HEXAGON SPACER F/F

DWG NO.

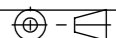
FAHSSFFM2.5-XX-5

A3

A

DRAWN - 07/12/15

PROJECTION



SHEET 1 OF 1