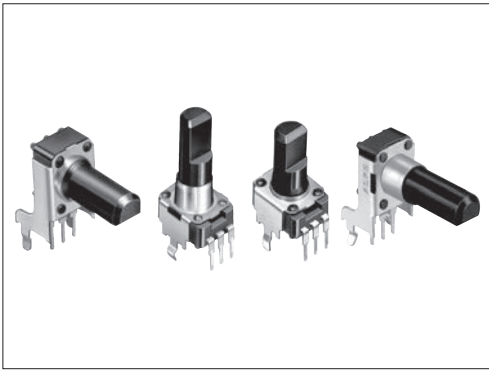


Compact type potentiometer with 9.8mm width is ideal for designing high density sets



■ Typical Specifications

Items		Specifications
Total resistance tolerance	Single-unit	±20%
	Dual-unit	±30%
Maximum operating voltage	Single-unit	50V AC, 20V DC
	Dual-unit	50V AC for AC only
Total rotational angle	Single-unit	RK09K: 280° ±5° RK09D: 300° ±5°
	Dual-unit	280° ±5°
Rotational torque		1 to 8mN·m
Operating life	Single-unit	5,000 cycles
	Dual-unit	10,000 cycles
Operating temperature range		-10°C to +70°C

■ Product Line

Number of resistor elements	Mounting direction	Total rotation angle	Collar (Sleeve type)	Shaft type	Length of the shaft LM <sub>1</sub> (mm)	Center detent	Total resistance(kΩ)	Resistance taper	Minimum order unit (pcs.)		Products No.	Drawing No.		
									Japan	Export				
Single-unit (20V DC)	Vertical type	280° ±5°	Without	Flat	15	With	10	1B	1,000	2,000	RK09K113004U	2		
						Without	5				RK09K1130AU2			
							10				RK09K1130A6S			
							20				RK09K1130AJ3			
							50				RK09K1130ACM			
							10				RK09K1130ACL			
				5	RK09K1130AAU									
				Knob	20	With	10	RK09K1130AH1						
							5	RK09K1130BM4						
							10	RK09K1130A8G						
						Without	15	RK09K1130A5R						
							30	RK09K1130081						
	10	RK09K1130A70												
	Screw driver	15	Without	5	RK09K1130AP5									
				20	RK09K1130AV7									
				10	RK09K1110A2S									
	Horizontal type H=6.5mm	20	Without	Flat	10	RK09K1110AK4								
					20	RK09K1110AH8								
					5	RK09K1110B1V								
				Knob	10	Without	10	RK09K1110A0J						
							5	RK09K11100E9						
							10	RK09K1110B1R						
	Vertical type	300° ±5°	With	Flat	15	Without	10	RK09K1110B26						
							50	RK09D1130C1B						
10							RK09D1130C2P							
5							RK09D1130A1L							
10							RK09D1130A1N							
10							RK09D1130C3W							
Without				20	With	Flat	25	Without	10	RK09D1130C3C				
									5	RK09D113000F				
									10	RK09D1130C0R				
						Knob		30	Without	10	15A	With	50	
													50	
													50	
Horizontal type H=10mm	25	Without	Flat	25	Without	10								
						50								
						50								

Note

Other varieties are also available. Refer to "Other Specifications" (P.356).

Refer to P.356 for other specifications.  
Refer to P.357 for ordering products not listed.  
Refer to P.371 for soldering conditions.

**Product Line**

Number of resistor elements	Mounting direction	Total rotation angle	Collar (Sleeve type)	Shaft type	Length of the shaft LM <sub>1</sub> (mm)	Center detent	Total resistance (kΩ)	Resistance taper	Minimum order unit (pcs.)		Products No.	Drawing No.	
									Japan	Export			
Dual-unit (50V AC)	Vertical type	280° ±5°	Without	Flat	15	Without	10	15A	1,000	2,000	<b>RK09K12C0A19</b>	10	
					20		50						<b>RK09K12C0A2S</b>
					30		10						
					25								50
	30		50		<b>RK09K12C0A8K</b>								
	Horizontal type H=6.5mm				Without	15	10				1,000	2,000	<b>RK09K12A0A2K</b>
			20			<b>RK09K12A0A6R</b>							
			With		50	1,000					2,000	<b>RK09K12A0B0W</b>	

**For the Mixing Console Market**

Number of resistor elements	Mounting direction	Total rotation angle	Collar (Sleeve type)	Shaft type	Length of the shaft LM <sub>1</sub> (mm)	Center detent	Total resistance (kΩ)	Resistance taper	Minimum order unit (pcs.)		Products No.	Drawing No.
									Japan	Export		
Single-unit (20V DC)	Vertical type	300° ±5°	With	Flat	30	With	10	1B	1,000	2,000	<b>RK09D117000B</b>	4
						Without		15A			<b>RK09D117000C</b>	

**Clear Shaft**

Number of resistor elements	Mounting direction	Total rotation angle	Collar (Sleeve type)	Shaft type	Length of the shaft LM <sub>1</sub> (mm)	Center detent	Total resistance (kΩ)	Resistance taper	Minimum order unit (pcs.)		Products No.	Drawing No.
									Japan	Export		
Single-unit (20V DC)	Vertical type	280° ±5°	Without	Knob	20	Without	10	1B	1,000	2,000	<b>RK09K1130D62</b>	7

**Note**

Other varieties are also available. Refer to "Other Specifications" (P.356).

**Packing Specifications**

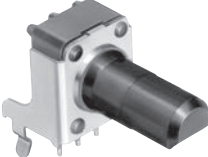
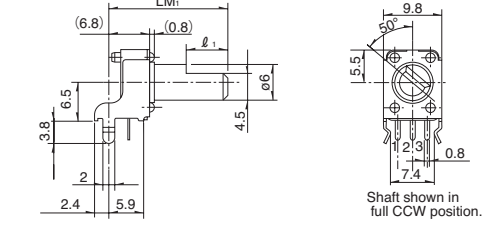
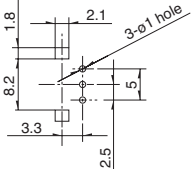
**Bulk**

Number of packages (pcs.)		Export package measurements (mm)
1 case / Japan	1 case / export packing	
1,000	2,000	368×530×180

**Dimensions**

Single-shaft, single-unit


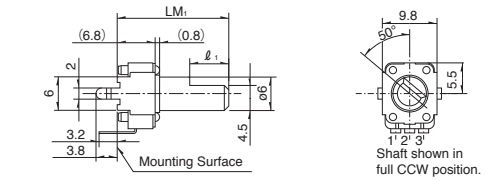
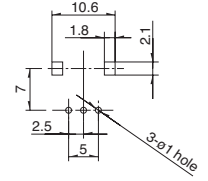
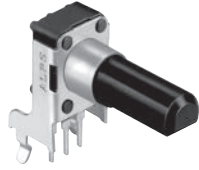
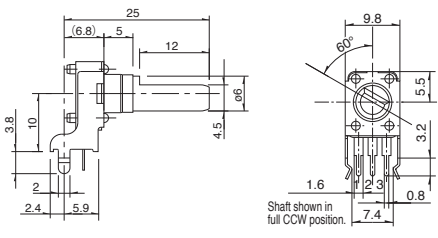
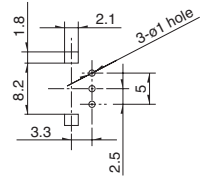

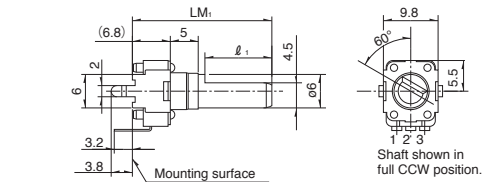
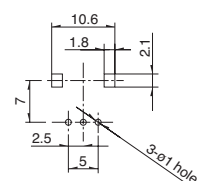

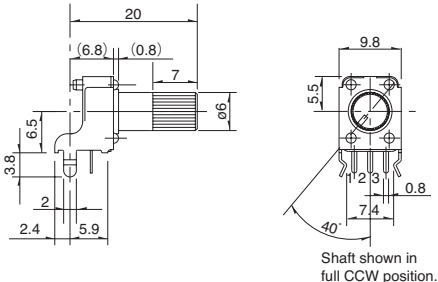
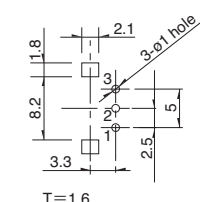
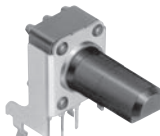
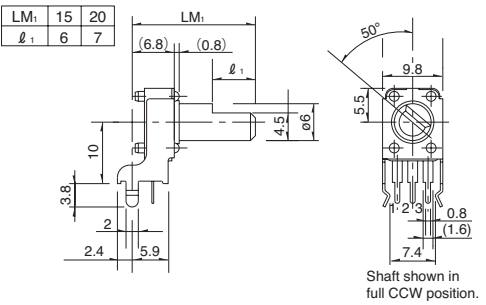
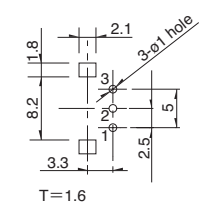
Unit:mm

No.	Photo	Style	PC board mounting hole dimensions (Viewed from mounting side)						
1		<table border="1" style="margin-bottom: 5px;"> <tr> <td>LM<sub>1</sub></td> <td>15</td> <td>20</td> </tr> <tr> <td>ℓ<sub>1</sub></td> <td>6</td> <td>7</td> </tr> </table>  <p>Shaft shown in full CCW position.</p>	LM <sub>1</sub>	15	20	ℓ <sub>1</sub>	6	7	
LM <sub>1</sub>	15	20							
ℓ <sub>1</sub>	6	7							

Refer to P.356 for other specifications.  
Refer to P.357 for ordering products not listed.  
Refer to P.371 for soldering conditions.

■ Dimensions  
Single-shaft, single-unit

Unit:mm

No.	Photo	Style	PC board mounting hole dimensions (Viewed from mounting side)										
2	<p><b>Vertical type RK09K113</b></p> 	<table border="1"> <tr> <td>LM<sub>1</sub></td> <td>15</td> <td>20</td> <td>25</td> <td>30</td> </tr> <tr> <td>ℓ<sub>1</sub></td> <td>6</td> <td>7</td> <td>12</td> <td>12</td> </tr> </table>  <p>Mounting Surface</p> <p>Shaft shown in full CCW position.</p>	LM <sub>1</sub>	15	20	25	30	ℓ <sub>1</sub>	6	7	12	12	
LM <sub>1</sub>	15	20	25	30									
ℓ <sub>1</sub>	6	7	12	12									
3	<p><b>Horizontal type with collar RK09D111</b></p> 	 <p>Shaft shown in full CCW position.</p>											
4	<p><b>Vertical type with collar RK09D113 RK09D117</b></p> 	<table border="1"> <tr> <td>LM<sub>1</sub></td> <td>20</td> <td>25</td> <td>30</td> </tr> <tr> <td>ℓ<sub>1</sub></td> <td>7</td> <td>12</td> <td>12</td> </tr> </table>  <p>Mounting surface</p> <p>Shaft shown in full CCW position.</p>	LM <sub>1</sub>	20	25	30	ℓ <sub>1</sub>	7	12	12			
LM <sub>1</sub>	20	25	30										
ℓ <sub>1</sub>	7	12	12										
5	<p><b>Horizontal type RK09K111</b></p> 	 <p>Shaft shown in full CCW position.</p>	 <p>T=1.6</p>										
6	<p><b>Horizontal type RK09K111</b></p> 	<table border="1"> <tr> <td>LM<sub>1</sub></td> <td>15</td> <td>20</td> </tr> <tr> <td>ℓ<sub>1</sub></td> <td>6</td> <td>7</td> </tr> </table>  <p>Shaft shown in full CCW position.</p>	LM <sub>1</sub>	15	20	ℓ <sub>1</sub>	6	7	 <p>T=1.6</p>				
LM <sub>1</sub>	15	20											
ℓ <sub>1</sub>	6	7											

Rotary  
Potentiometers

Slide  
Potentiometers

Metal  
Shaft

Insulated  
Shaft

Knob  
Operating

Ring  
Type

### ■ Dimensions

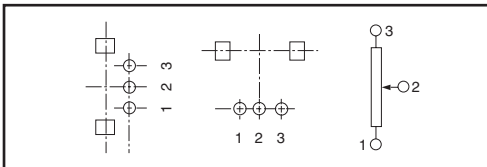
Single-shaft, single-unit

Unit:mm

No.	Photo	Style	PC board mounting hole dimensions (Viewed from mounting side)								
7		<table border="1"> <tr> <td>LM<sub>1</sub></td> <td>15</td> <td>20</td> <td>30</td> </tr> <tr> <td>ℓ<sub>1</sub></td> <td>6</td> <td>7</td> <td>7</td> </tr> </table>	LM <sub>1</sub>	15	20	30	ℓ <sub>1</sub>	6	7	7	
LM <sub>1</sub>	15	20	30								
ℓ <sub>1</sub>	6	7	7								
8		<table border="1"> <tr> <td>LM<sub>1</sub></td> <td>15</td> <td>20</td> </tr> <tr> <td>ℓ<sub>1</sub></td> <td>6</td> <td>7</td> </tr> </table>	LM <sub>1</sub>	15	20	ℓ <sub>1</sub>	6	7			
LM <sub>1</sub>	15	20									
ℓ <sub>1</sub>	6	7									

### ■ Terminal Layout / Circuit Diagram

Single-unit



### ■ Dimensions

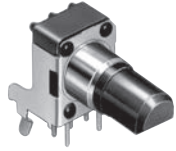
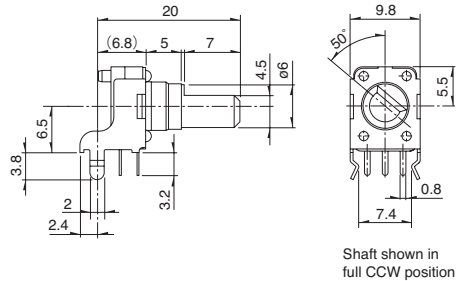
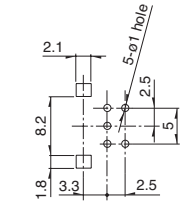

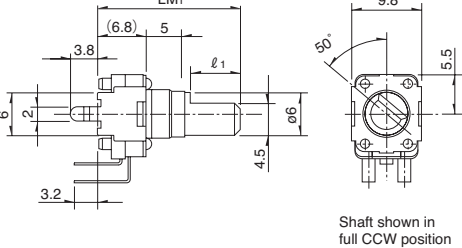
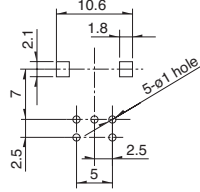
Single-shaft, dual-unit

Unit:mm

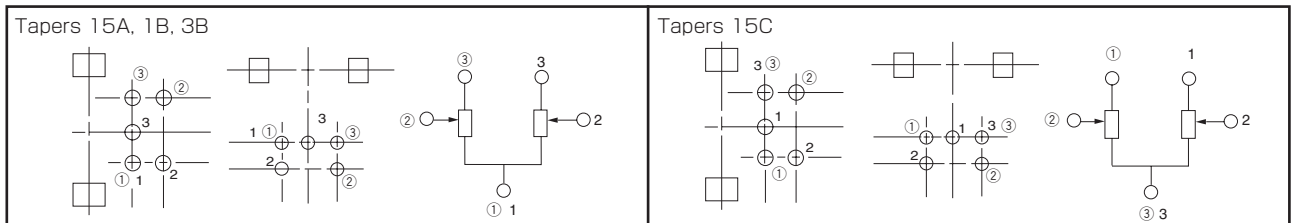
No.	Photo	Style	PC board mounting hole dimensions (Viewed from mounting side)								
9		<table border="1"> <tr> <td>LM<sub>1</sub></td> <td>15</td> <td>20</td> </tr> <tr> <td>ℓ<sub>1</sub></td> <td>6</td> <td>7</td> </tr> </table>	LM <sub>1</sub>	15	20	ℓ <sub>1</sub>	6	7			
LM <sub>1</sub>	15	20									
ℓ <sub>1</sub>	6	7									
10		<table border="1"> <tr> <td>LM<sub>1</sub></td> <td>15</td> <td>20</td> <td>30</td> </tr> <tr> <td>ℓ<sub>1</sub></td> <td>6</td> <td>7</td> <td>12</td> </tr> </table>	LM <sub>1</sub>	15	20	30	ℓ <sub>1</sub>	6	7	12	
LM <sub>1</sub>	15	20	30								
ℓ <sub>1</sub>	6	7	12								

**■ Dimensions**  
Single-shaft, dual-unit

Unit:mm

No.	Photo	Style	PC board mounting hole dimensions (Viewed from mounting side)						
11	<p><b>Horizontal type with collar</b> <b>RK09K12A</b></p> 	 <p>Shaft shown in full CCW position</p>							
12	<p><b>Vertical type with collar</b> <b>RK09K12C</b></p> 	<table border="1" data-bbox="662 716 790 772"> <tr> <td>LM<sub>1</sub></td> <td>25</td> <td>30</td> </tr> <tr> <td>ℓ<sub>1</sub></td> <td>12</td> <td>12</td> </tr> </table>  <p>Shaft shown in full CCW position</p>	LM <sub>1</sub>	25	30	ℓ <sub>1</sub>	12	12	
LM <sub>1</sub>	25	30							
ℓ <sub>1</sub>	12	12							

**■ Terminal Layout / Circuit Diagram**  
Dual-unit



Rotary  
Potentiometers

Slide  
Potentiometers

Metal  
Shaft

Insulated  
Shaft

Knob  
Operating

Ring  
Type

# 9mm Size Insulated Shaft Snap-in Type / Other Specifications

In addition to the products listed, we can accommodate the follow specifications.

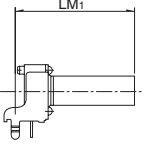
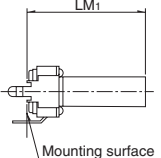
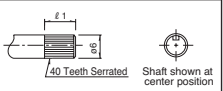
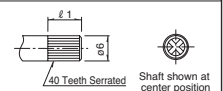
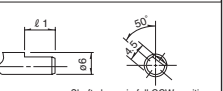
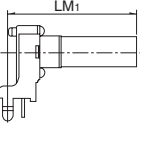
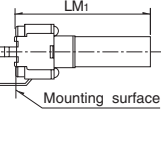
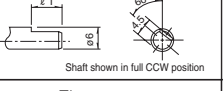
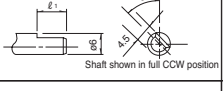
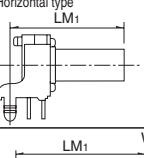
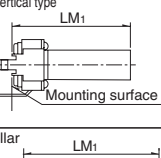
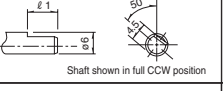
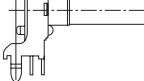
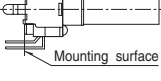
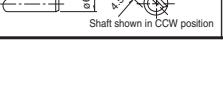
## Total Resistance Variety

Total resistance (k Ω)	5	10	20	50	100	200
------------------------	---	----	----	----	-----	-----

## Resistance Taper

Resistance taper	15A	1B	3B	15C
------------------	-----	----	----	-----

## Shaft Variety

Number of resistor elements	Style	Shaft type		Shaft color										
		Knob variety	Detail dimensions											
Single-unit	Horizontal type  Vertical type 	Knob type (φ6) 	<table border="1"> <tr> <td>LM<sub>1</sub></td> <td>15</td> <td>20</td> <td>25</td> <td>30</td> </tr> <tr> <td>ℓ<sub>1</sub></td> <td>6</td> <td>7</td> <td>7</td> <td>7</td> </tr> </table>	LM <sub>1</sub>	15	20	25	30	ℓ <sub>1</sub>	6	7	7	7	Black
		LM <sub>1</sub>	15	20	25	30								
		ℓ <sub>1</sub>	6	7	7	7								
	Screw-driver adjustment type 	<table border="1"> <tr> <td>LM<sub>1</sub></td> <td>9.5</td> <td>15</td> <td>20</td> <td></td> </tr> <tr> <td>ℓ<sub>1</sub></td> <td>—</td> <td>6</td> <td>7</td> <td></td> </tr> </table>	LM <sub>1</sub>	9.5	15	20		ℓ <sub>1</sub>	—	6	7			
	LM <sub>1</sub>	9.5	15	20										
	ℓ <sub>1</sub>	—	6	7										
Flat type 	<table border="1"> <tr> <td>LM<sub>1</sub></td> <td>15</td> <td>20</td> <td>25</td> <td>30</td> </tr> <tr> <td>ℓ<sub>1</sub></td> <td>6</td> <td>7</td> <td>12</td> <td>12</td> </tr> </table>	LM <sub>1</sub>	15	20	25	30	ℓ <sub>1</sub>	6	7	12	12			
LM <sub>1</sub>	15	20	25	30										
ℓ <sub>1</sub>	6	7	12	12										
With collar  Vertical type 	Flat type 	<table border="1"> <tr> <td>LM<sub>1</sub></td> <td>15</td> <td>20</td> <td>25</td> <td>30</td> </tr> <tr> <td>ℓ<sub>1</sub></td> <td>6</td> <td>7</td> <td>12</td> <td>12</td> </tr> </table>	LM <sub>1</sub>	15	20	25	30	ℓ <sub>1</sub>	6	7	12	12	Gray (15, 20, 25) Black (30)	
	LM <sub>1</sub>	15	20	25	30									
	ℓ <sub>1</sub>	6	7	12	12									
Flat type 	<table border="1"> <tr> <td>LM<sub>1</sub></td> <td>20</td> <td>25</td> <td>30</td> <td></td> </tr> <tr> <td>ℓ<sub>1</sub></td> <td>7</td> <td>12</td> <td>12</td> <td></td> </tr> </table>	LM <sub>1</sub>	20	25	30		ℓ <sub>1</sub>	7	12	12		Black		
LM <sub>1</sub>	20	25	30											
ℓ <sub>1</sub>	7	12	12											
Dual-unit	Horizontal type  Vertical type 	Flat type 	<table border="1"> <tr> <td>LM<sub>1</sub></td> <td>15</td> <td>20</td> <td>25</td> <td>30</td> </tr> <tr> <td>ℓ<sub>1</sub></td> <td>6</td> <td>7</td> <td>12</td> <td>12</td> </tr> </table>	LM <sub>1</sub>	15	20	25	30	ℓ <sub>1</sub>	6	7	12	12	Black
	LM <sub>1</sub>	15	20	25	30									
	ℓ <sub>1</sub>	6	7	12	12									
With collar  Vertical type 	Flat type 	<table border="1"> <tr> <td>LM<sub>1</sub></td> <td>20</td> <td>25</td> <td>30</td> <td></td> </tr> <tr> <td>ℓ<sub>1</sub></td> <td>7</td> <td>12</td> <td>12</td> <td></td> </tr> </table>	LM <sub>1</sub>	20	25	30		ℓ <sub>1</sub>	7	12	12			
LM <sub>1</sub>	20	25	30											
ℓ <sub>1</sub>	7	12	12											

### Notes

1.   Marked are specifications recommended by Alps.
2. RK09D1 17 is only for flat type of 20mm, 25mm, 30mm

# 9mm Size Insulated Shaft Snap-in Type / Ordering Products Not Listed

When ordering product varieties that are not listed in the Product Line, please specify by referring to the below example.

## Sample Part Number

**R K 0 9 K 1 1 3 0** - **F 2 0** - **C 0** - **B 1 0 3**

### Model type

Code	Model type
K111	280° single-unit horizontal type H=6.5
K113	280° single-unit vertical type
D111	300° single-unit horizontal type H=10
D113	300° single-unit vertical type
K12A	280° dual-unit horizontal type H=6.5
K12C	280° dual-unit vertical type

\*All RK09D types are single-ganged.  
 \*For other horizontal type mount height requirements, please indicate separately.

### Shaft type

Code	Shaft type	Code	Shaft type
F	Flat	X	Screw driver
K	Knob	-	-

\*All RK09D types are only available in flat format.

### Length of the shaft LM<sub>1</sub> (mm)

Code	Length of the shaft	Code	Length of the shaft
15	15	25	25
20	20	30	30

\*20, 25 and 30 are the only available RK09D types.  
 \*9.5, 15 and 20 are the only available models in the Screwdriver shape.

### Detent

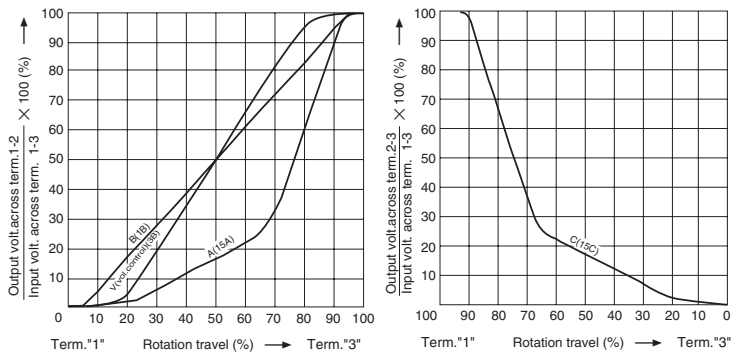
Code	Center detent
C0	Without
C1	With

### Resistance taper

Code	Resistance taper	Code	Resistance taper
A	15A	C	15C
B	1B	V	3B

B: For tone & general  
 V: For vol.

\*1B is a recommended specification for single-unit.  
 \*3B is a recommended specification for dual-unit.



### Total resistance

Code	Total resistance (k Ω)	Code	Total resistance (k Ω)
502	5	503	50
103	10	104	100
203	20	204	200














### Notes

1. RK09D comes with a collar.
2. The recommended specification for RK09K does not include a collar. For collar requirements please indicate separately.
3.    Marked are specifications recommended by Alps.



# Insulated Shaft Potentiometers

## List of Varieties

Type	9mm size			11mm size	12mm size		14mm size	
Series	RK09K11 RK09D11	RK09K12	RK09Y11L	RK11K	RK12L12	RK12L115	RK14K	
	Single-unit	Dual-unit	Single-unit	Single-unit	Dual-unit	Single-unit	Dual-unit	
Photo								
Terminal mounting	Vertical / Horizontal		Horizontal	Vertical / Horizontal		Vertical	Vertical / Horizontal	
Bushing	Without			With / Without	Without	With	With / Without	
Operating temperature range	-10°C to + 70°C					-40°C to + 85°C	-10°C to + 70°C	
Operating life	5,000 cycles	10,000 cycles	1,000,000 cycles	15,000 cycles				
Available for automotive use	—	—	—	—	—	●	—	
Life cycle								
Electrical performance	Total resistance (k Ω)	5, 10, 20, 50, 100, 200		10	5, 10, 20, 50, 100, 200		5, 10, 20, 50, 100	5, 10, 20, 50, 100, 200
	Resistance taper	15A, 1B, 3B, 15C		B	15A, 1B, 3B, 15C		15A, 1B, 3B	15A, 1B, 3B, 15C
	Total resistance tolerance	±20%	±30%	±30%	±20%			
	Rated power	0.05W	0.03W	0.01W	0.05W			
	Maximum operating voltage	50V AC 20V DC	50V AC for AC only	50V AC 5V DC	50V AC 20V DC	50V AC for AC only	50V AC 20V DC	50V AC for AC only
	Gang error	—	-40dB to 0dB 3dB max.	—	—	Volume control -40dB to 0dB 3dB max. For tone control within 2dB at center	—	Volume control -40dB to 0dB 3dB max. For tone control within 2dB at center
	Insulation resistance	100MΩ min. 250V DC			100MΩ min. 500V DC	100MΩ min. 250V DC		
	Voltage proof	250V AC for 1minute			500V AC for 1minute	300V AC for 1minute		
	Center-taps	Without			Without / With	Without		Without / With (Volume control)
	Mechanical performance	Detent	Without, Center		Without	Without, Center	Without	Custom
Stopper strength		0.3N·m		—	Without bushing 0.5N·m With bushing 0.6N·m	0.5N·m		0.6N·m
Push-pull strength		50N max.		30N max.	80N max.			
Vibration		10 to 55 to 10Hz/min., the amplitude is 1.5mm for all the frequencies, in the 3 direction of X, Y and Z and for 2 hours respectively						
Shaft configuration	Flat type, Knob type, Screwdriver type			Flat type				
Terminal style	Insertion							
Page	351		358	359	363	366	367	

Insulated Shaft Potentiometers Soldering Conditions	371
Potentiometers Cautions	427
Potentiometers Measurement and Test Methods	429
Potentiometers Resistance Taper	431

### Note

● Indicates applicability to all products in the series.



## ■ Reference for Manual Soldering

Series	Tip temperature	Soldering time	No. of solders
<b>RK09D, RK09K, RK09Y11L, RK11K, RK12L, RK12L115, RK14K</b>	350°C max.	3s max.	1 time

## ■ Reference for Dip Soldering

Series	Preheating		Dip soldering		No. of solders
	Soldering surface temperature	Heating time	Soldering temperature	Soldering time	
<b>RK12L</b>	100°C	1 min. max.	260°C max.	5s max.	2 time max.

# Mouser Electronics

Authorized Distributor

Click to View Pricing, Inventory, Delivery & Lifecycle Information:

## ALPS:

[RK09K12C0A4D](#) [RK09D117000B](#) [RK09D113000F](#) [RK09K1130AJ3](#) [RK09D1110C0R](#) [RK09K11100E9](#)  
[RK09K1110A0J](#) [RK09K1130A6S](#) [RK09K12A0B0W](#) [RK09K1130BM4](#) [RK09D1130A1N](#) [RK09K1130AV7](#)  
[RK09D1130C3C](#) [RK09K1110B1R](#) [RK09D1130A1L](#) [RK09K1130A8G](#) [RK09K12C0A19](#) [RK09D1130C2P](#)  
[RK09K1130AP5](#) [RK09D1130C1B](#) [RK09K1110AK4](#) [RK09K1110A2S](#) [RK09K1130ACM](#) [RK09K1110B26](#)  
[RK09K1130081](#) [RK09K12A0A6R](#) [RK09K1130A70](#) [RK09K1130AAU](#) [RK09K1110B1V](#) [RK09K1130ACL](#)  
[RK09K1130AU2](#) [RK09K1130A5R](#) [RK09K12A0A2K](#) [RK09K113004U](#) [RK09K12C0A2S](#) [RK09D1130C3W](#)  
[RK09K12C0A8K](#) [RK09K1130AH1](#) [RK09K1110AH8](#) [RK09K12C0A8P](#) [RK09D113F25C0A104](#) [RK09D117000C](#)  
[RK09K1130D62](#) [RK09D113AF25B55](#) [RK09D113AF25A15](#) [RK09D1130A0Z](#) [RK09D113000K](#) [RK09D113000Q](#)  
[RK09D113000D](#) [RK09K111F15C0B104](#) [RK09D111-F25-C0-V103](#) [RK09D113-F25-C1-B503](#) [RK09D113-F25-C0-B103](#)  
[RK09K1110-K15-C0-B104](#) [RK09K12C0D0U](#) [RK09D1130-F25-C0-A104](#) [RK09K1110-K25-C1-B103](#)  
[RK09D113AF25B15](#) [RK09K11300P3](#) [RK09D1130009](#) [RK09D1130A0S](#) [RK09K111-K25-C0-B103](#) [RK09D1130-F30-](#)  
[C0-B104](#) [RK09D113F25C0B504](#) [RK09D113AF25A55](#) [RK09K113-F15-C1-B502](#) [SAMPLE # F0720328M](#) [RK09K1110-](#)  
[K25-C0-B103](#) [RK09K111X15C0B103](#) [RK09K12CK20C0A502](#) [RK09D1130A07](#) [RK09D113BF25B15](#) [RK09D1130C70](#)