

SYN 161 d

Article number: 1610011

Description

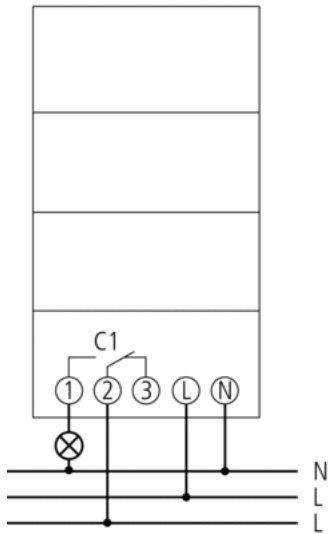


- Analogue time switch
- 1 channel
- Daily program
- Without power reserve
- 96 switching segments
- Synchronised with mains
- Shortest switching time: 15 minutes
- Clock hands for time display and in addition 12/24 hour recognition
- Simple summer/winter time correction
- Time can be changed clockwise or anti-clockwise
- DuoFix spring terminals
- For 2 conductors each
- Wire or strand (with or without wire end sleeve)
- Wire diameter: 0.5 - 2.5 mm²
- Button for releasing plug-in connection
- Switching preselection
- Manual switch with 3 positions: Continuous ON/AUTO/continuous OFF
- Switching status display

Technical data

Operating voltage	230 V AC
Frequency	50 Hz
Number of channels	1
Program	Daily program
Width	3 modules
Installation type	DIN rail
Type of connection	DuoFix spring terminals
Drive	Synchronous motor
Program	Daily program
Switching capacity at 250 V AC, cos φ = 1	16 A
Switching capacity at 250 V AC, cos φ = 0,6	4 A
Shortest switching times	15 min
Programmable all	15 min
Time accuracy	Synchronised with mains
Type of contact	Changeover contact
Switching output	Potential-free and phase-independent
Number of switching segments	96
Stand-by consumption	1 VA
Test approval	VDE
Housing and insulation material	High-temperature resistant, self-extinguishing thermoplastic
Type of protection	IP 20
Protection class	II as per EN 60 730-1
Ambient temperature	-20 °C ... +55 °C

Connection example



Accessories

Wall mounting kit 52,5 mm

- Article number: 9070050
[Details ▶ www.theben.de](http://www.theben.de)



Front panel kit

- Article number: 9070001
[Details ▶ www.theben.de](http://www.theben.de)

