

1 | 2 | 3 | 4 | 5 | 6

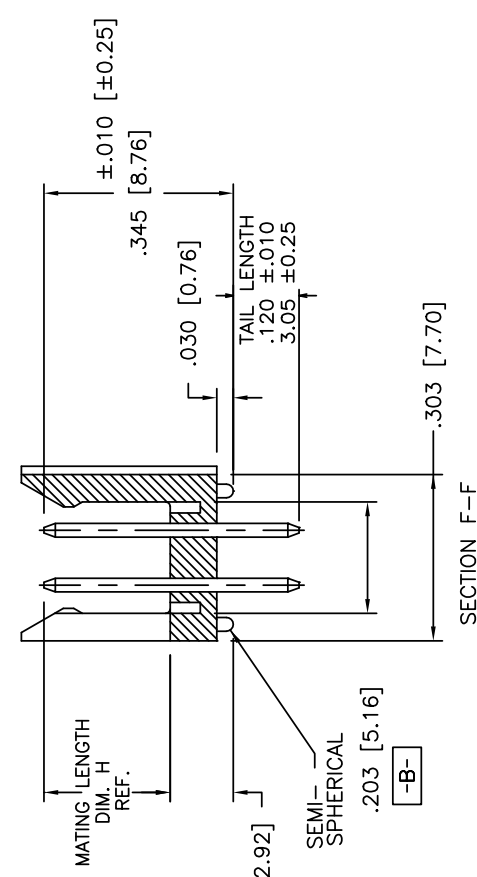
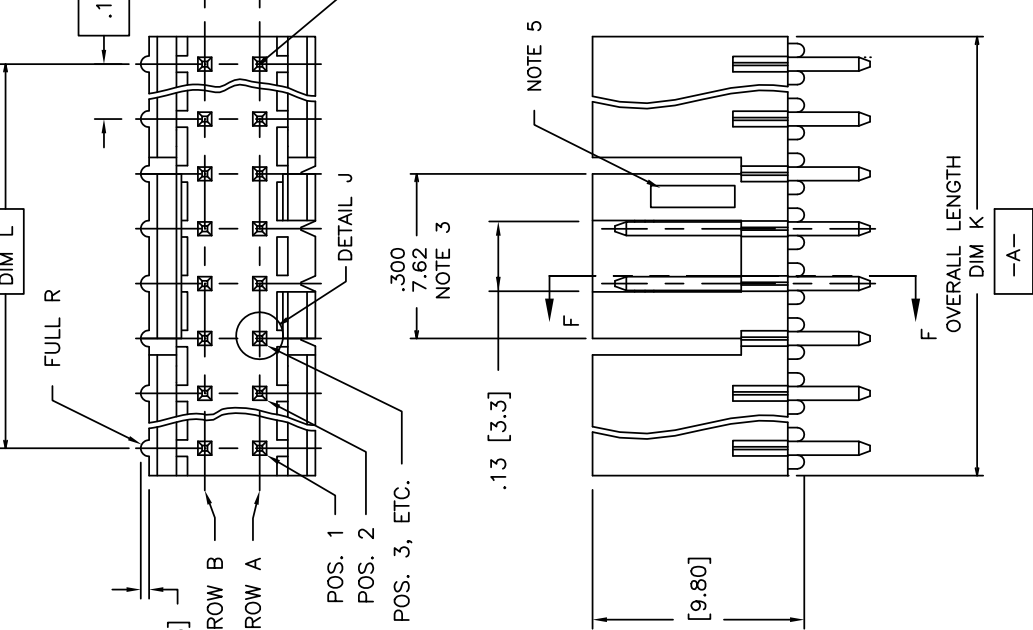
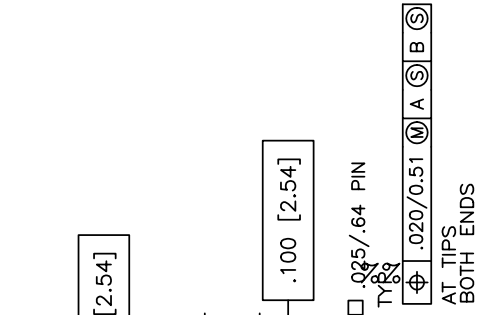
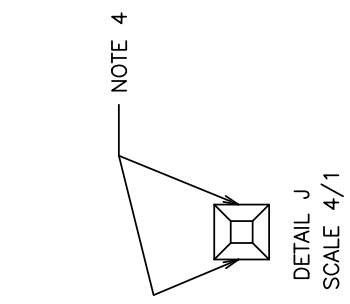
PRODUCT NUMBER
69168-XYZHLF

LEAD FREE OPTION
SEE NOTE 7, 8, 9

CUSTOMER SPECIALS
SEE NOTE 6

NO. OF POS.
SEE TABLE

PIN PLATING
BASE P/N



mat'l. code		surface / tolerance		projection		product family	
ISO 1302		ISO 1101		ASME Y14.3		HEADER	
tolerances unless otherwise specified		line ar		INCH/MM		title	
angles		XX±.01/XX±.03		scale 3:1		FRICION LATCH HEADER DOUBLE ROW VERTICAL	
M 691-011884 JZ 2012-05-31		XX±.002/XX±.005		L.SADERS		dwg no 69168	
G V03-0352 CJP 03/25/03		L.SADERS		5/3/95		sheet of 2 size A3	
H IM05-0134 ERE 06/15/05		L.FYE		5/3/95		type Product Customer Drawing	
J IM06-0256 MHT 9/07/06		L.FYE		5/3/95			
K IM08-0023 MHT 1/28/08		L.FYE		5/3/95			
L IM08-0291 MHT 10/06/08		L.FYE		5/3/95			
sheet revision M							
index sheet 1 2							

PRODUCT NUMBER	NO. OF POS.	MATING LENGTH DIM H	OVERALL LENGTH DIM K	DIM L	NOTES
69168-X06	2 X 3	0.230/5.84	0.300/7.62	0.200/5.08	
-X08	2 X 4	0.230/5.84	0.400/10.16	0.300/7.62	
-X08A	2 X 4	0.210/5.33	0.400/10.16	0.300/7.62	NOTE 6
-X10	2 X 5	0.230/5.84	0.500/12.70	0.400/10.16	
-X10A	2 X 5	0.210/5.33	0.500/12.70	0.400/10.16	NOTE 6
-X12	2 X 6	0.230/5.84	0.600/15.24	0.500/12.70	
-X14	2 X 7	0.230/5.84	0.700/17.78	0.600/15.24	
-X16	2 X 8	0.230/5.84	0.800/20.32	0.700/17.78	
-X16A	2 X 8	0.210/5.33	0.800/20.32	0.700/17.78	NOTE 6
-X18	2 X 9	0.230/5.84	0.900/22.86	0.800/20.32	
-X18A	2 X 9	0.210/5.33	0.900/22.86	0.800/20.32	NOTE 6
-X20	2 X 10	0.230/5.84	1.000/25.40	0.900/22.86	
-X22	2 X 11	0.230/5.84	1.100/27.94	1.000/25.40	
-X24	2 X 12	0.230/5.84	1.200/30.48	1.100/27.94	
-X26	2 X 13	0.230/5.84	1.300/33.02	1.200/30.48	
-X28	2 X 14	0.230/5.84	1.400/35.56	1.300/33.02	
69168-X30	2 X 15	0.230/5.84	1.500/38.10	1.400/35.56	

PIN PLATING CODES	
-1Y	30u"/.76u (SEE NOTE 10) 50u"/1.27u Ni
-2Y	15u"/.38u (SEE NOTE 10) 50u"/1.27u Ni
-3Y	50u"/1.27u (SEE NOTE 10) 50u"/1.27u Ni
-4Y	100u"/2.54u MIN Sn 50u"/1.27u Ni (SEE NOTE 11)
-4YHLF	
-5Y	15u"/.38u (SEE NOTE 10) 50u"/1.27u Ni
-6Y	30u"/.76u (SEE NOTE 10) 50u"/1.27u Ni
-7Y	30u"/.76u (SEE NOTE 10) OVER 50u"/1.27u Ni
-8Y	15u"/.38u (SEE NOTE 10) OVER 50u"/1.27u Ni

NOTES:

- MOLDING MAT'L: GLASS REINFORCED PCT. COLOR: BLACK
FLAME RETARDANT PER UL 94 V-0
MAXIMUM OPERATING TEMPERATURE: 130° C
OR
MINERAL FILLED LCP. COLOR BLACK
FLAME RETARDANT PER UL 94 V-0
- PIN MATERIAL: 3/4 HD PHOS. BRZ.
- NO SLOTS ON 2 X 5 POSITION OR SMALLER PRODUCT. THE CENTER KEY SLOT WILL BE ON ALL HEADERS REGARDLESS OF SIZE.
- TWO NON-CRITICAL SIDES OF PIN TIP NOT PLATED, BOTH ENDS.
- COMPANY LOGO MAY APPEAR IN THIS AREA.
- CUSTOMER SPECIAL -- "A" SUFFIX INDICATES 0.210/5.33 MATING LENGTH.
- ADD "HLF" SUFFIX AT THE END OF PART NUMBER FOR LEAD FREE OPTION; NOT AVAILABLE FOR -5YY, -5YH, -6YY & -6YH.
- PART NUMBERS WITH "H" SUFFIX WILL WITHSTAND EXPOSURE TO 260°C PEAK TEMPERATURE FOR 20 SECONDS IN WAVE SOLDER; INFRA-RED OR VAPOR PHASE SOLDER PROCESS.
- PART NUMBERS WITHOUT "H" SUFFIX WILL WITHSTAND EXPOSURE TO 260°C PEAK TEMPERATURE FOR WAVE SOLDER PROCESS.
- THIS PRODUCT MEETS EUROPEAN UNION DIRECTIVES AND OTHER COUNTRY REGULATION AS DESCRIBED IN GS-22-008.
- PLATING OPTIONS:
PERFORMANCE PLATING WILL BE EITHER GOLD OR GXT ON CONTACT OR TAIL, OPTIONALLY (78~295u"/2~7.5u) TIN ON TAIL.
- "THIS PRODUCT HAS 100% TIN PLATING IN THE INTERFACE AND HAS NOT BEEN TESTED FOR WHISKER GROWTH IN ALL INTERCONNECT ENVIRONMENTS."

mat'l. code		surface / tolerance		projection		product family	
ISO 1302		ISO 406 / ISO 101		ISO 101		HEADER	
tolerances unless otherwise specified		linea		INCH/MM		title	
angles		XX±.01/XX.03		scale 3:1		FRICION LATCH HEADER	
0°±2'		XXX±.005/XXX.015		scale 3:1		DOUBLE ROW VERTICAL	
dr		L.SADERS		5/3/95		dwg no 69168	
enht		L.FYE		5/3/95		sheet 2 of 2 size A3	
chr		T.BREWBAKER		5/3/95		type Product Customer Drawing	
appd		L.FYE		5/3/95			
sheet index		revision		sheet			