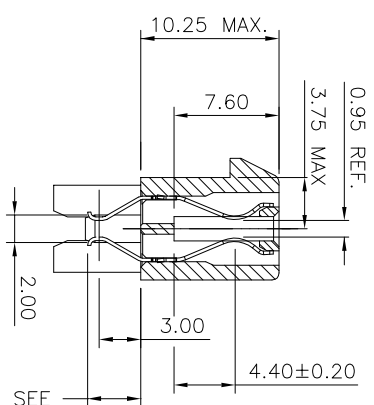
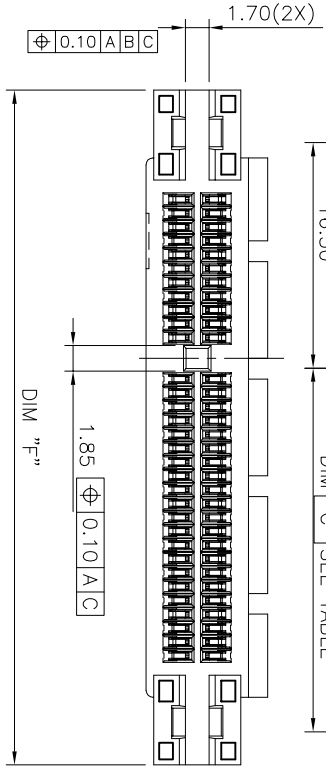
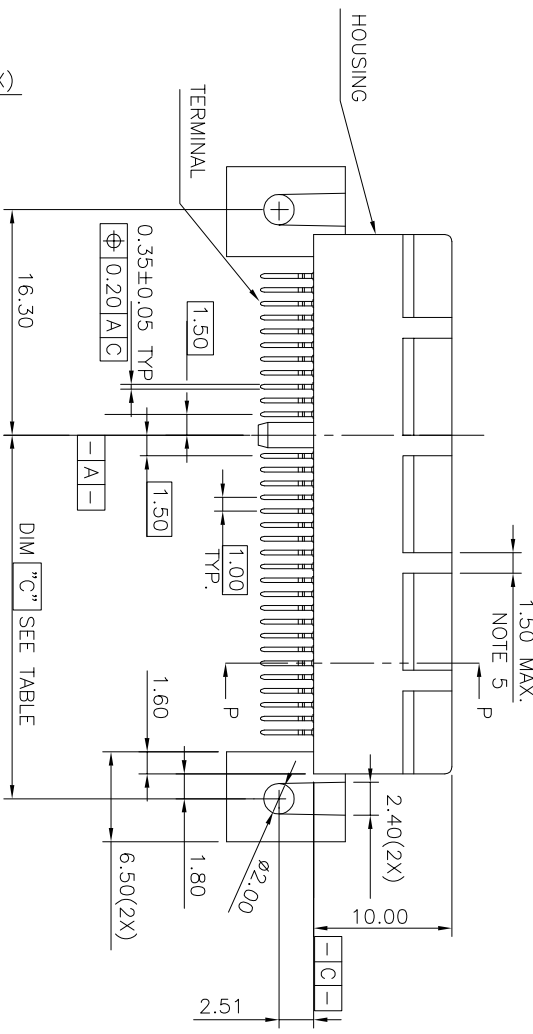
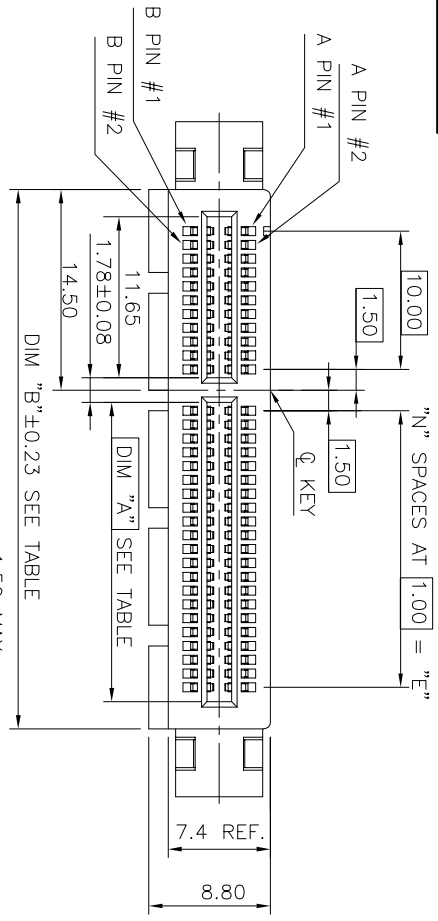
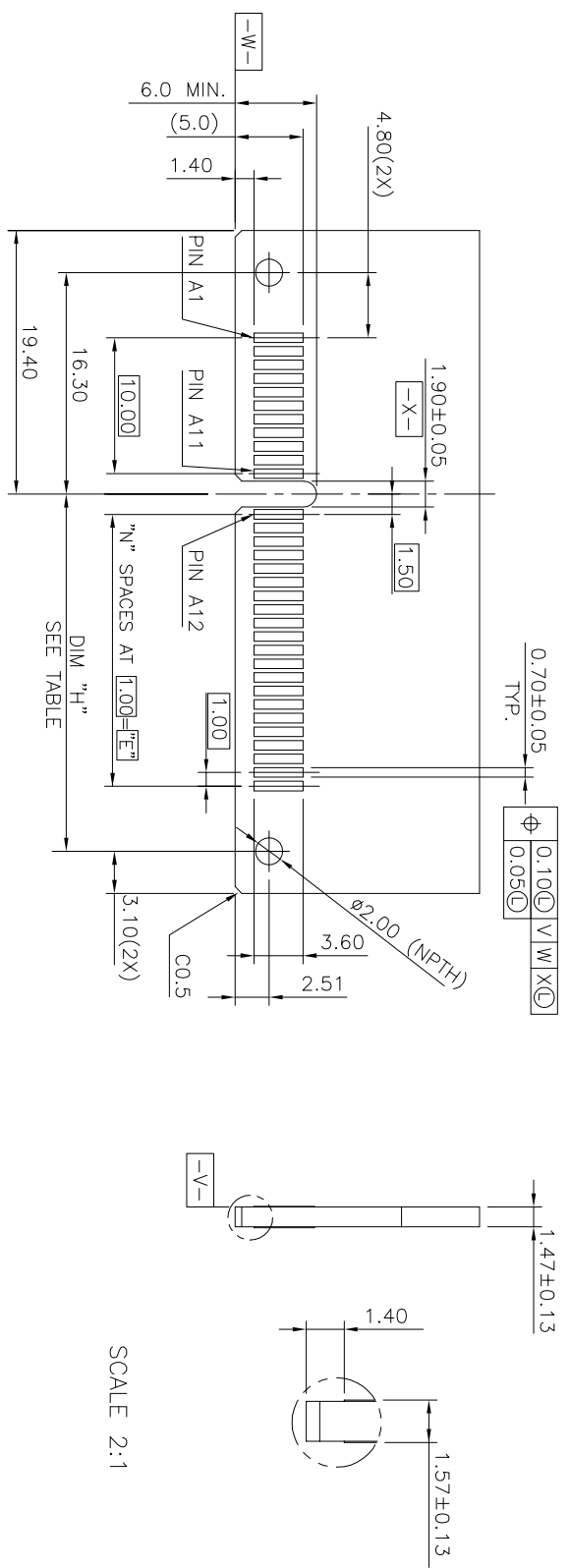


PRODUCT NO.  
10025026



DIM "D" SEE  
PRODUCT  
NUMBER CODE

mat'l. code	surface	tolerance	projection	product family
	ASME Y14.5		MM	PCI EXPRESS
tr ecd no dfr date	tolerances unless otherwise specified			
F T06-0179 M W 10/24/06	angles	±0.30		title
G T06-0209 M W 12/08/06	±2°	±0.20		PCI_EXPRESS_CARD_EDGE_GEN3
H T10-0068 J H 5/26/10	.000±0.10			STRADDLE_MOUNT_ASS'Y
J DG-008880 H T 12/12/11				sheet no
K DG-23735 LZH 04/05/16				10025026
L DG-24598 LZH 07/28/16				sheet 1 of 7
	qppd PM_ZHENG	2016-03-25		A4
sheet index	revision	L		size
	sheet	7		

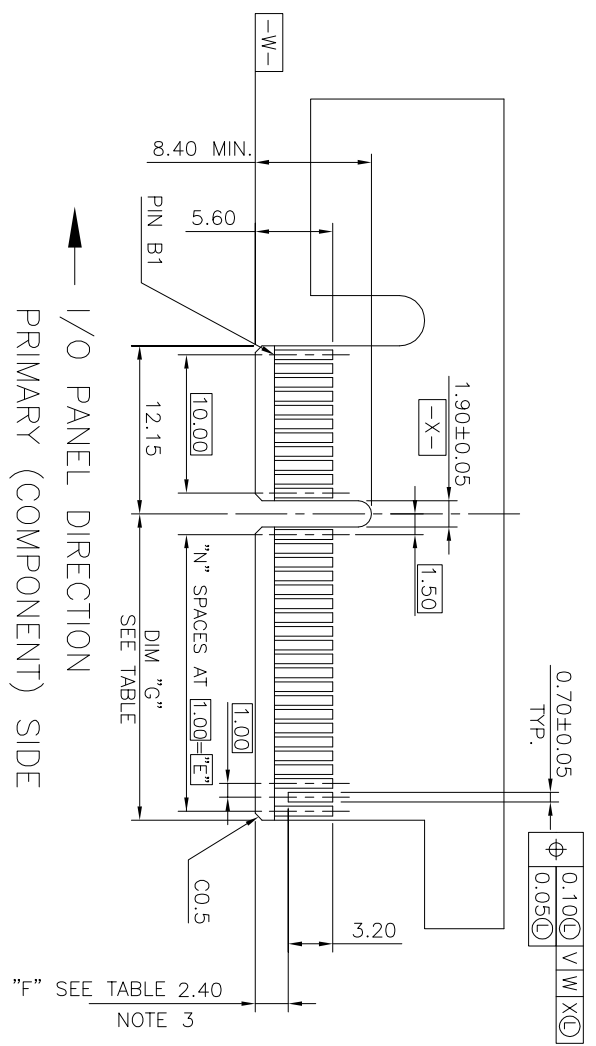


SCALE 2:1

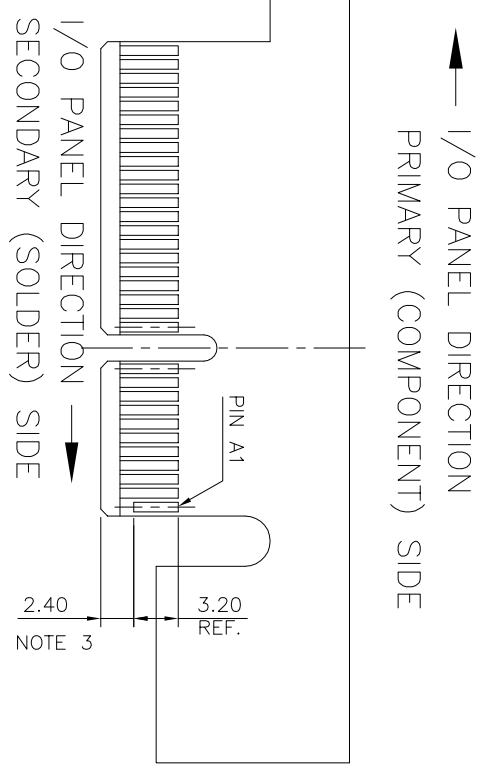
RECOMMEND OF PCB DIMENSIONS

# POS REF.	N	DIM "H"	DIM "E"
36	6	12.30	6.00
64	20	26.30	20.00
98	37	43.30	37.00
164	70	76.30	70.00

mat'l. code	surface	tolerance	projection	product family
	ASME Y14.5		MM	PCI EXPRESS
tr	ecn no	dr	date	title
				PCI_EXPRESS_CARD_EDGE_GEN3
				STRADDLE_MOUNT_ASSY
				sheet 2 of 7
				size A4
				customer Drawing
sheet	revision	L		
index	sheet	7		



SCALE 2:1



# POS REF.	N	DIM "G"	"F"
36	6	8.15	B17
64	20	22.15	B31
98	37	39.15	B48
164	70	72.15	B81

ADD-IN CARD EDGE-FINGER DIMENSIONS

mat'l. code	surface	tolerance	projection	product family
	ASME Y14.5			PCI EXPRESS
tr	ecm no	dr	date	title
				PCI_EXPRESS_CARD_EDGE_GEN3
				STRADDLE_MOUNT_ASS'y
				dwg no
				10025026
				sheet 3 of 7
				size
				A4
sheet	revision	L		type
index	sheet	7		CUSTOMER Drawing

CONNECTOR	# POS REF.	N	DIM "A"	DIM "B"	DIM "C"	"E"	"F"
1 PORT	36	6	7.65	25.00	12.50	6.00	34.8
4 PORT	64	20	21.65	39.00	26.50	20.00	48.8
8 PORT	98	37	38.65	56.00	43.50	37.00	65.8
16 PORT	164	70	71.65	89.00	76.50	70.00	98.8

NOTES:

- MATERIAL: RATED.  
HOUSING: HIGH TEMPERATURE NYLON, GLASS FILLED UL94V-0  
TERMINAL: COPPER ALLOY  
PLATING: SEE PRODUCT NUMBER CODE  
METAL BOARD LOCKS: COPPER ALLOY  
FINISH: 100u" TIN OVER 50u" NICKEL UNDERPLATE
- PRODUCT SPECIFICATION: GS-12-233
- NO THE BAR PERMITTED FROM CARD EDGE TO LEADING EDGE OF PAD FOR PINS A1 AND PIN NUMBERS "F".
- CHAMFER EDGES MUST BE FREE OF CUTTING BURRS.
- FREQUENCY & LOCATION AT SUPPLIER DISCRETION. RIDGE MAY BE CONTINUOUS WITH NO BREAKS.
- ROHS COMPATIBLE PRODUCT SPECIFICATIONS
  - a - PLATING:
  - "LF" MEANS THE PRODUCT IS LEAD-FREE
  - b - MANUFACTURING PROCESS COMPATIBILITY
    - THE HOUSING WILL WITHSTAND EXPOSURE TO 260°C±5°C SOLDER BATH TEMPERATURE FOR 5 SECONDS IN A REFLOW SOLDER APPLICATION.

PRODUCT NUMBER CODE  
10025026 -X 0 X 0 X I 0 0

- HOUSING COLOR OPTIONS
- 0-NATURAL, HALOGEN
  - 1-BLACK, HALOGEN
  - 2-NATURAL, HALOGEN FREE
  - 3-BLACK, HALOGEN FREE
- RESERVE

TERMINAL PLATING OPTIONS

- 0-50u" NI UNDERPLATE
- 30u" Au CONTACT AREA
- 100u" TIN TAIL AREA ----- COMPATIBLE ROHS
- 1-50u" NI UNDERPLATE
- 15u" Au CONTACT AREA
- 100u" TIN TAIL AREA ----- COMPATIBLE ROHS
- 2-50u" NI UNDERPLATE
- GOLD FLASH CONTACT AREA
- 100u" TIN TAIL AREA ----- COMPATIBLE ROHS
- 3-50u" NI UNDERPLATE
- 30u" Au CONTACT AREA
- 100u" TIN/LEAD TAIL AREA ----- INCOMPLIANT ROHS
- 4-50u" NI UNDERPLATE
- 15u" Au CONTACT AREA
- 100u" TIN/LEAD TAIL AREA ----- INCOMPLIANT ROHS
- 5-50u" NI UNDERPLATE
- GOLD FLASH CONTACT AREA
- 100u" TIN/LEAD TAIL AREA ----- INCOMPLIANT ROHS

LEAD FREE OPTION

- POS OPTIONS
- 0-36
  - 1-64
  - 2-98
  - 3-164

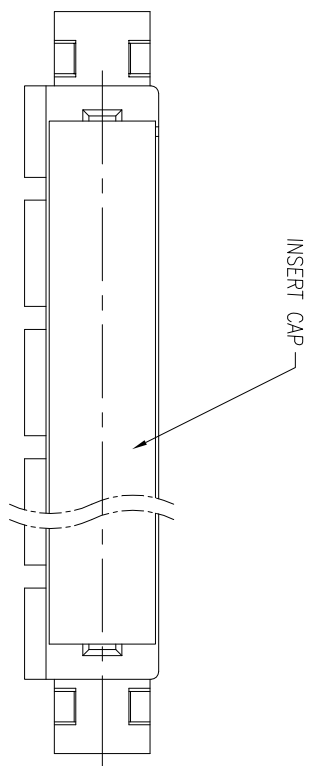
- PACKAGING OPTIONS
- T: TRAY PACKAGING(IN GENERAL VERTICAL DIRECTION)
  - C: TAPE & REEL WITH INSERT CAP (FOR 98P ONLY)
  - H: TRAY PACKAGING(IN SPECIAL HORIZONTAL DIRECTION FOR 164P ONLY)
  - P: TRAY PACKAGING WITH INSERT CAP
  - S: TRAY PACKAGING WITH INSERT CAP(IN SPECIAL HORIZONTAL DIRECTION)

DIM "D"	PCB THICKNESS
3.85 +0.25	1.56
-0.13	

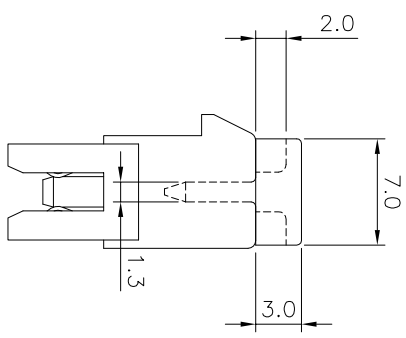
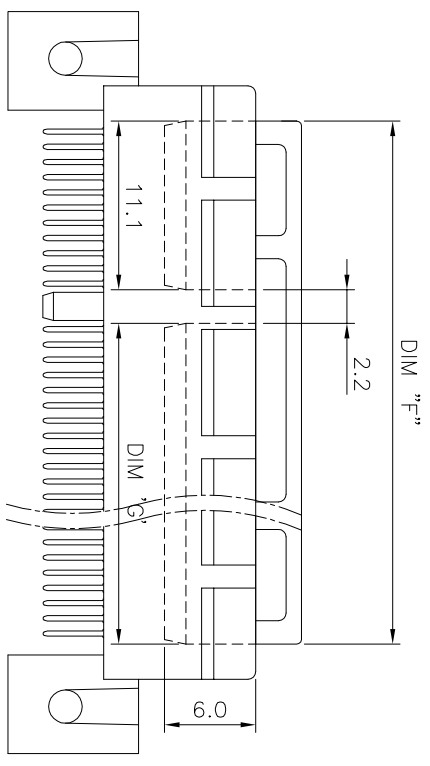
TAIL LENGTH OPTIONS

"LF" FOR TERMINAL PLATING OPTION 0,1,2

mat'l. code	ec'n no	dr	date	surface	tolerance	projection	product family
				tolerances unless otherwise specified	ASME Y14.5	MM	PCI EXPRESS
				angles	±0.30		PCI_EXPRESS_CARD_EDGE_GEN3
				±Z	.00±0.20		STRADDLE_MOUNT_ASS'y
				dr	ZHENHUA_LIU 2016-03-25	scale N/A	dwg no 10025026
				eng	ZHENHUA_LIU 2016-03-25		sheet 4 of 7
				chr	STONE_LI 2016-03-25		size A4
				qppd	PM_ZHENG 2016-03-25		CUSTOMER Drawing
sheet index	revision	L	7				



DIMENSIONS		
POSITION	F	G
36	20.4	7.1
64	34.4	21.1
98	51.4	38.1
164	84.4	71.1



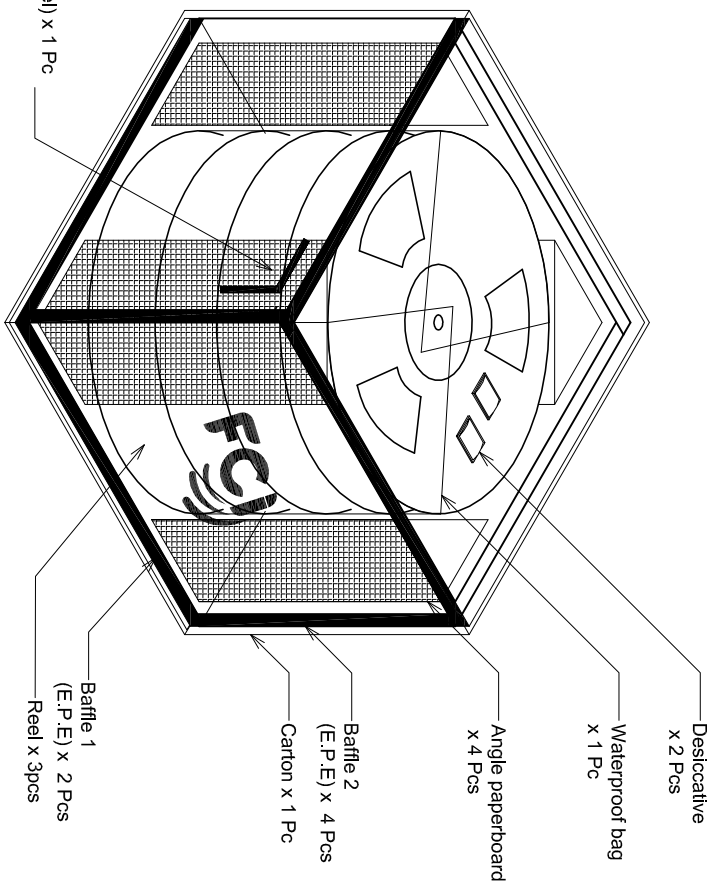
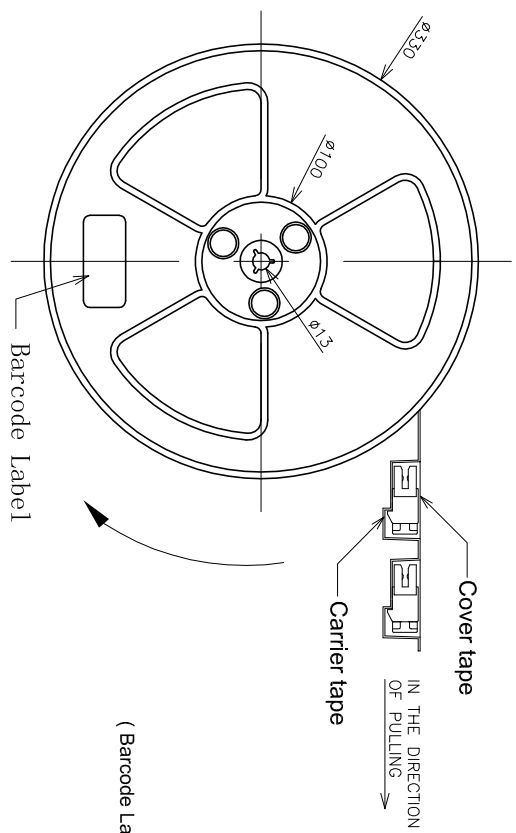
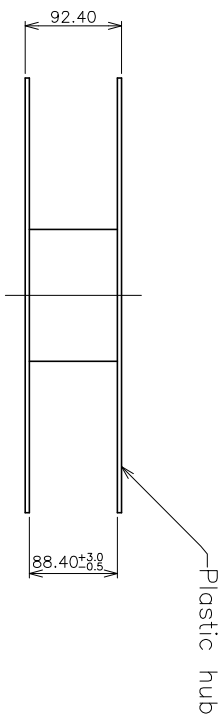
NOTES:

1. MATERIAL:  
INSERT CAP: THERMOPLASTIC UL94V-0; BLACK COLOR.

mat'l. code	-	surface	tolerance	projection	product family
itr	ecn no	dr	date	ASME Y14.5	PCI EXPRESS
				tolerances unless otherwise specified	
		angles	±2°	MM	title
		g	.00±0.20	scale N/A	PCI_EXPRESS_CARD_EDGE_GEN3
		dr	.000±0.10		STRADDLE_MOUNT_ASS'y
		eng	ZHENHUA_LIU	2016-03-25	dwg no
		chr	STONE_LI	2016-03-25	sheet 5 of 7
		qppd	PM_ZHENG	2016-03-25	size
sheet	revision	L			A4
index	sheet	7			CUSTOMER Drawing



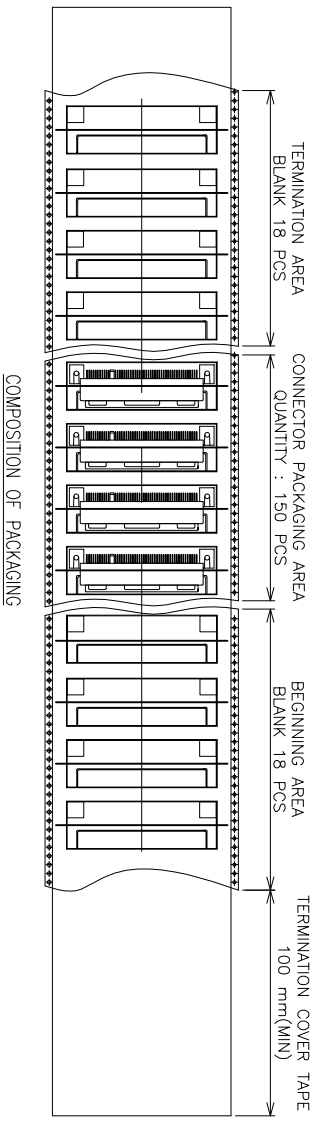
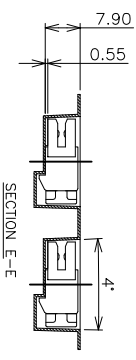
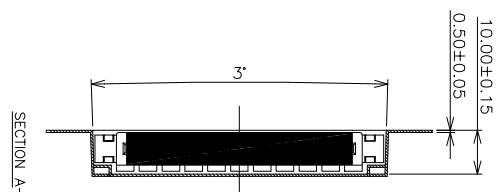
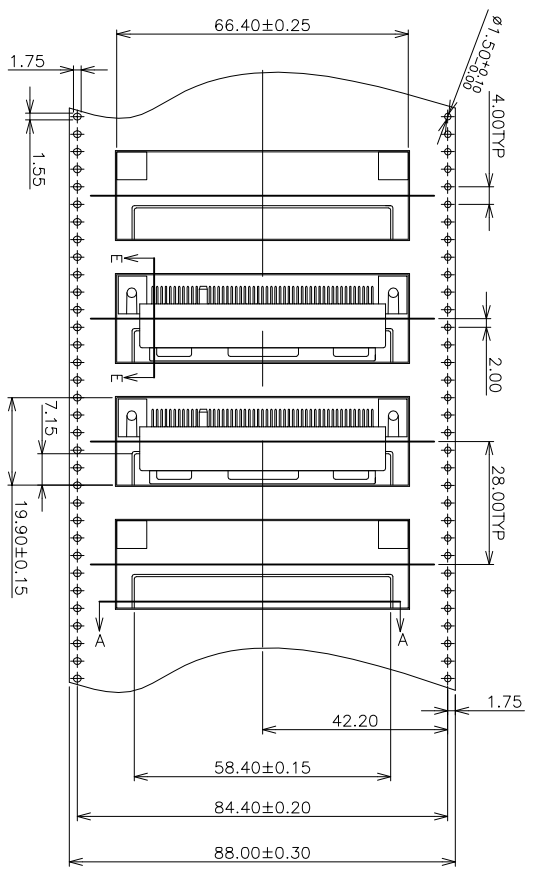
- NOTE:
1. REEL MATERIAL : PS, BLACK
  2. CARRIER MATERIAL : PS
  3. COVER TAPE MATERIAL : PS
  4. COVER TAPE REEL STRENGTHH : 13"
  5. QUANTITY : 150 PCS/REEL
  6. Carton : 380(L) \* 380(W) \* 300(H) mm



Part No	10025026-XXXX(LF)
---------	-------------------

NO. OF CONTACTS	98
REEL/CARTON	3
PCS/REEL	150
QUANTITY(PCS)	450

mat'l. code	surface	tolerance	projection	product family
1tr	ecn no	dr	date	ASME_Y14.5
	angles	±2°	MM	PCI_EXPRESS_CARD_EDGE_GEN3
	dr	ZHENHUA_LIU	2016-03-25	STRADDLE_MOUNT_ASS'y
	eng	ZHENHUA_LIU	2016-03-25	
	chr	STONE_LI	2016-03-25	
	qppd	PM_ZHENG	2016-03-25	
sheet	revision	L		
index	sheet	7		



IN THE DIRECTION OF PULLING

mat'l. code	surface	tolerance	projection	product family
	ASME_Y14.5			PCI EXPRESS
itr	ecdn no	dr	date	title
				PCI_EXPRESS_CARD_EDGE_GEN3
	angles			STRADDLE_MOUNT_ASS'Y
	$\pm 2^\circ$			
	dr	ZHENHUA_LIU	2016-03-25	scale N/A
	engr	ZHENHUA_LIU	2016-03-25	dwg no
	chr	STONE_LI	2016-03-25	10025026
	qppd	PM_ZHENG	2016-03-25	sheet 7 of 7
sheet	revision	L		size
index	sheet	7		A4