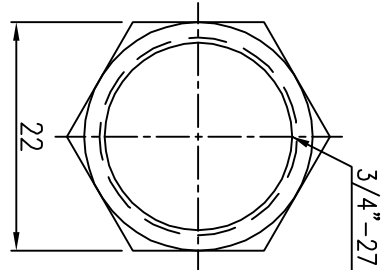
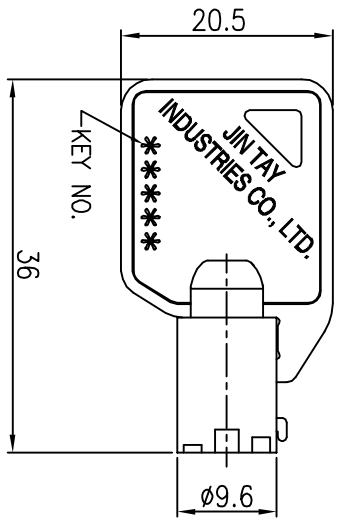
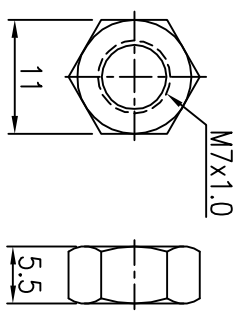
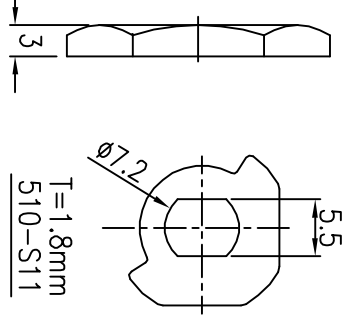


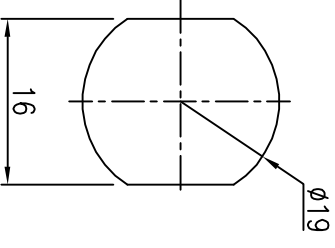
CA510001



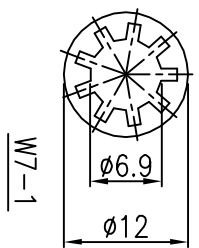
NG-3/4"-27-2



NG-M7X1.0-2



Recommended hole size



W7-1

NOTES:

- * Zinc alloy die cast housing and cylinder.
- * Bright chrome plated standard.
- * 7 pin tumbler mechanism.
- * Steel made tubular keys, nickel plated.
- * Key can withdrawn in one positions.
- * Hex nut mounted.
- * 10000 combinations available.
- * Met with RoHS.

REV. NO.	COORDINATES	WAS	NEW	DATE	BY
1					
DATE	04.30.15	SCALE	2:1	UNIT	mm
TOLERANCES	M 0.05	APPROVED BY	張明家	CHECKED BY	張明家
H 0.1		WT. :	g	REV. :	A
K 0.2		DRAWN BY			
M 0.5					
N 1.0					
P 1.5					
R 2.0					
S 3.0					
T 4.0					
V 5.0					
W 6.0					
X 8.0					
Y 10.0					
Z 12.0					
DATE	04.30.15	SCALE	2:1	UNIT	mm
APPROVED BY	張明家	CHECKED BY	張明家	DRAWN BY	
WT. :	g	REV. :	A		
DRAWN BY					
DESCRIPTION	CAM LOCK	PART NO.	C510UZS-1	MATERIAL	
NOTE					