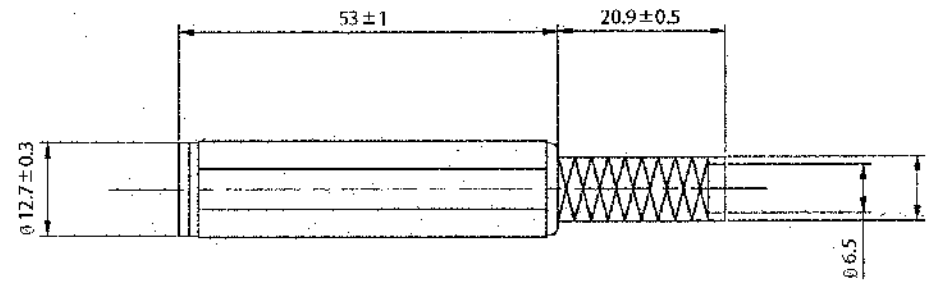
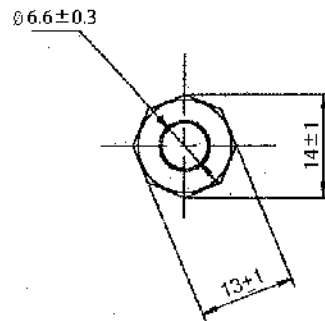


RoHS STANDARD



Technical requirement :

- 1 . This product should meet EU RoHS related requirement.
- 2 . The surface of plastic part should be without any crackle such as burr,lack,and so on phenomenon.
- 3 . The surface of metal part should be without any defect such as scaur,nick,oxidation and plating problem.
- 4 . The electronic performance should be the same as spec.
- 5 . The un-specified tolerance is : $0 \sim 6 \pm 0.1$
 $6 \sim 20 \pm 0.2$
 $>20 \pm 0.3$

Specification:

Contact Resistance	: 30m ohm max.
Insulation Resistance	: 100M ohm min. at DC 500V
Dielectric Strength	: AC 500V for one minute.

DCI DRAGON CITY INDUSTRIES LIMITED

PART NAME	6.3MM PHONE INLINE JACK STEREO	TOLERANCE : ±0.3
PART NO.	NP-312-EN	UNIT: MM

DESIGN	K.W LAW	REMARK	SCALE
DRAWING	W.K YEUNG	REMARK	MATERIAL
CHECK	K.L WONG	REMARK	SHEET
APPROVAL	K.W CHAN	REMARK	DWG. NO. 110131-1656