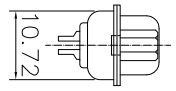
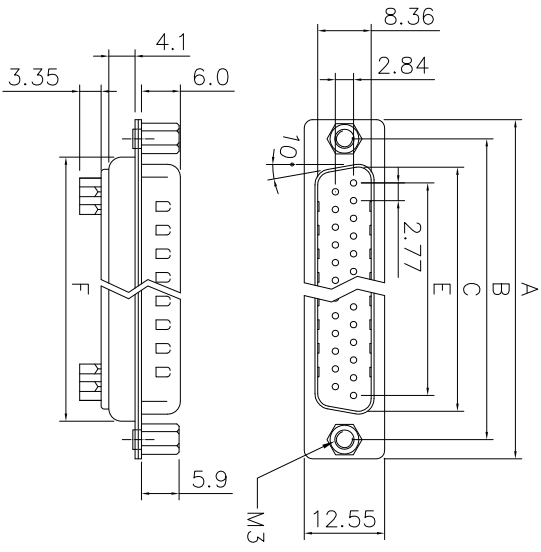
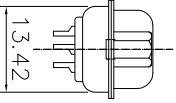
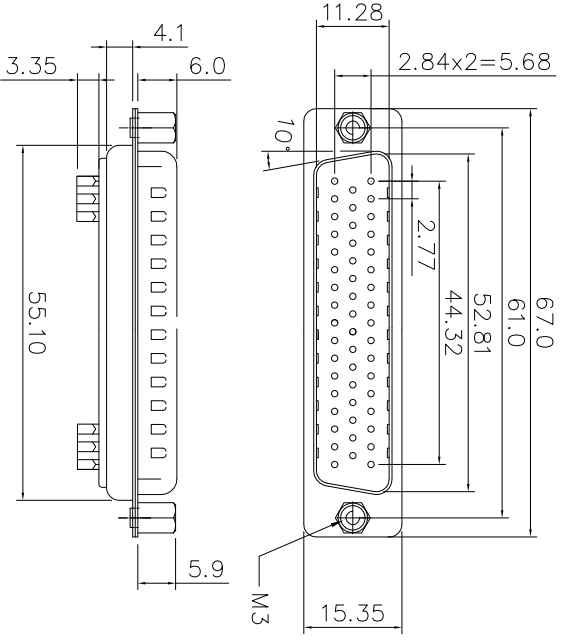


This document is the property of Amphenol Corporation and is delivered on the understanding that it is to be used only for the specific application in which it is made or in part, for manufacture or sale by anyone other than Amphenol Corporation without its prior consent, & that no right is granted to disclose or to use any information in this document.



Positions	A	B	C	E	F
9	30.81	24.99	16.92	11.08	19.20
15	39.20	33.30	25.25	19.39	27.70
25	53.04	47.04	38.96	33.24	41.10
37	69.40	63.50	55.42	49.86	57.30



50 Positions

REVISIONS				
S/N	ECN	DESCRIPTION	DATE	APPROVED
1	HK--	First Release Drawing	Apr/30/2013	IP

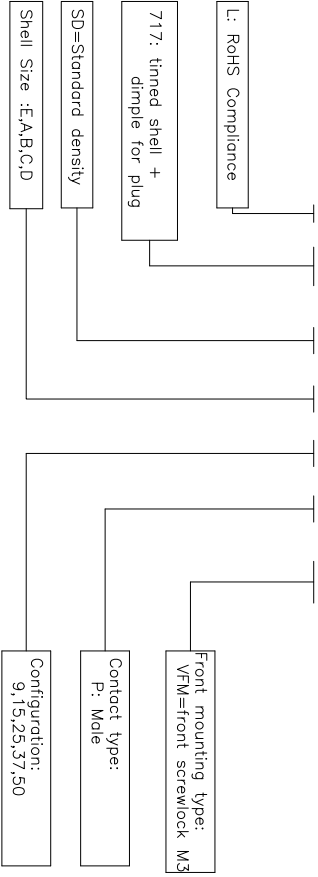
D-SUB TECHNICAL DATA

SHELL : Steel, 100u" min tin over 50u" min nickel  
 over 50u" min Copper  
 BODY : Glass-Filled Thermoplastic PBT,UL94V-0  
 CONTACTS : Copper alloy  
 Gold flash over 50u" min nickel on mating area.  
 100u" min tin over 50u" min nickel on solder area.  
 SCREWLOCK : Brass, Nickel Plated  
 ELECTRICAL : Voltage rating 250 VAC/Rms 60Hz  
 Current rating 3A.  
 Withstanding Voltage >1000 VAC/Rms 60Hz for one minute  
 Insulation resistance >1000 M Ohms  
 Contact resistance 20 mOhms Max.

MARKING : Amphenol...(Series No.)  
 Commercial reference  
 Manufacturing date

PRODUCT CODE

L 717 SD X XX P VFM



UNLESS OTHERWISE SPECIFIED		APPROVAL		DATE	
TOLERANCES	U.S.	METRIC	DRAWN	Ready	Apr/30/2013
.X	+/-	0.50	CHECKED	Visual	Apr/30/2013
.XX	+/-	0.30			
.XXX	+/-	0.20			
FRACTIONS	+/-	5*			
ANGLES	+/-				

FOR MATERIALS AND FINISHES SEE NOTES REMOVE SHARP EDGES DIMENSIONS U.S. TOLERANCES ANGLES NONE

DRAWING FILE : ANGLE OF PROJECTION

TITLE		Amphenol	
D-sub,solder cup,G/F		SIZE DRAWING NO	A4
		REV.	1
		SCALE	NONE
		SHEET	1 OF 1