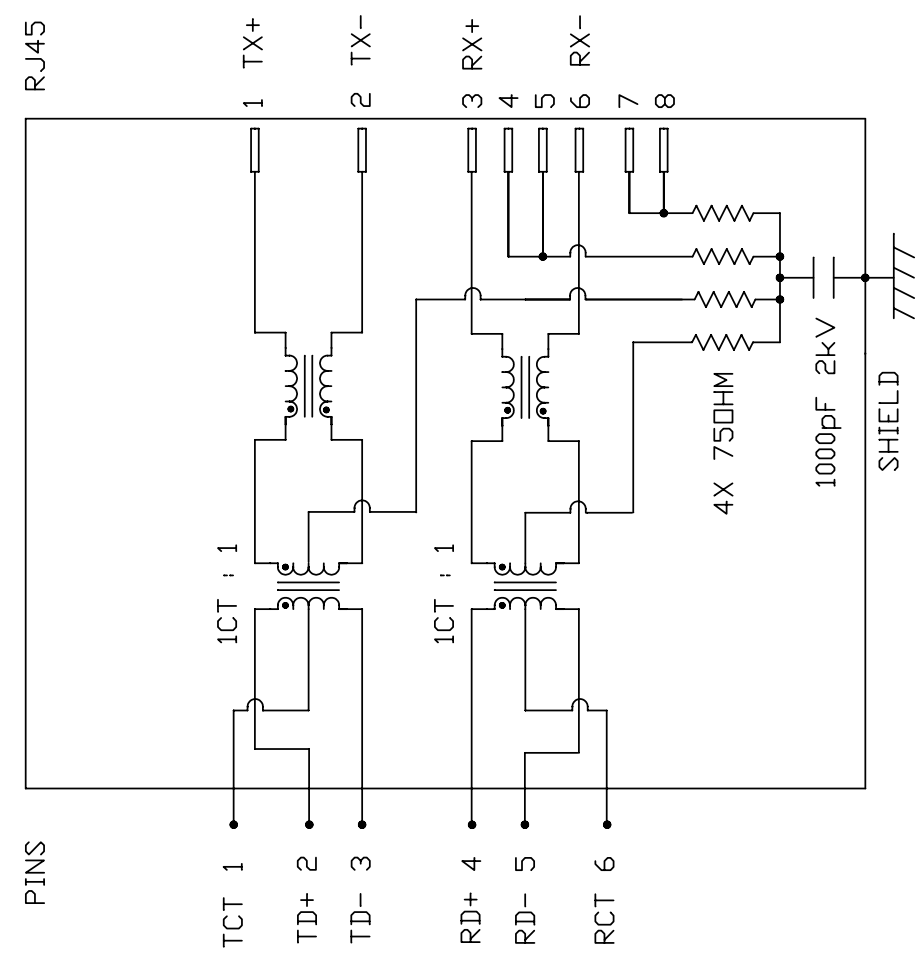


THE INFORMATION CONTAINED HEREIN IS CONSIDERED "PROPRIETARY" TO BEL FUSE INC. AND SHALL NOT BE COPIED, REPRODUCED OR DISCLOSED WITHOUT THE WRITTEN APPROVAL OF BEL FUSE INC.



SCHEMATIC



ELECTRICAL CHARACTERISTICS @ 25°C

TURNS RATIO  
 TX 1CT : 1  
 RX 1CT : 1  
 DCL @ 100kHz/100mVRMS 350µH MIN.  
 8mA DC BIAS  
 INS. LOSS 1MHz TO 100MHz -1.0 dB MAX  
 RET. LOSS (MIN) 1MHz-30MHz -18 dB  
 30MHz-60MHz -18+20LOG(F/30MHz) dB  
 60MHz-80MHz -12 dB  
 CROSS TALK (TX - RX) 500kHz-100MHz -35 dB MIN  
 CM TO CM REJ 100kHz-100MHz -30 dB MIN  
 CM TO DM REJ 100kHz-100MHz -40 dB MIN  
 HIPOT (Isolation Voltage): 1500 Vrms  
 100% OF PRODUCTION TESTED TO COMPLY WITH IEEE 802.3 ISOLATION REQUIREMENT  
 OPERATING TEMPERATURE: -40°C TO 85°C

ORIGINATED BY	DATE	TITLE
CHOW WANGCHUNG	03-25-09	MagJack@ 4 CORE, WITH CM TERM Extended temperature S811-1X1T-36-F
DRAWN BY	DATE	
LI YONGFENG	03-25-09	

PART NO. / DRAWING NO.	STANDARD DIM.	[ ] METRIC DIM. AS REFERENCE
S811X1T36-F	TOL. IN INCH	UNIT : INCH [mm]
FILE NAME	.X	REV. : B
S811X1T36-F_B.DWG	.XX	SCALE : N/A
	.XXX	SIZE : A4
		PAGE : 2

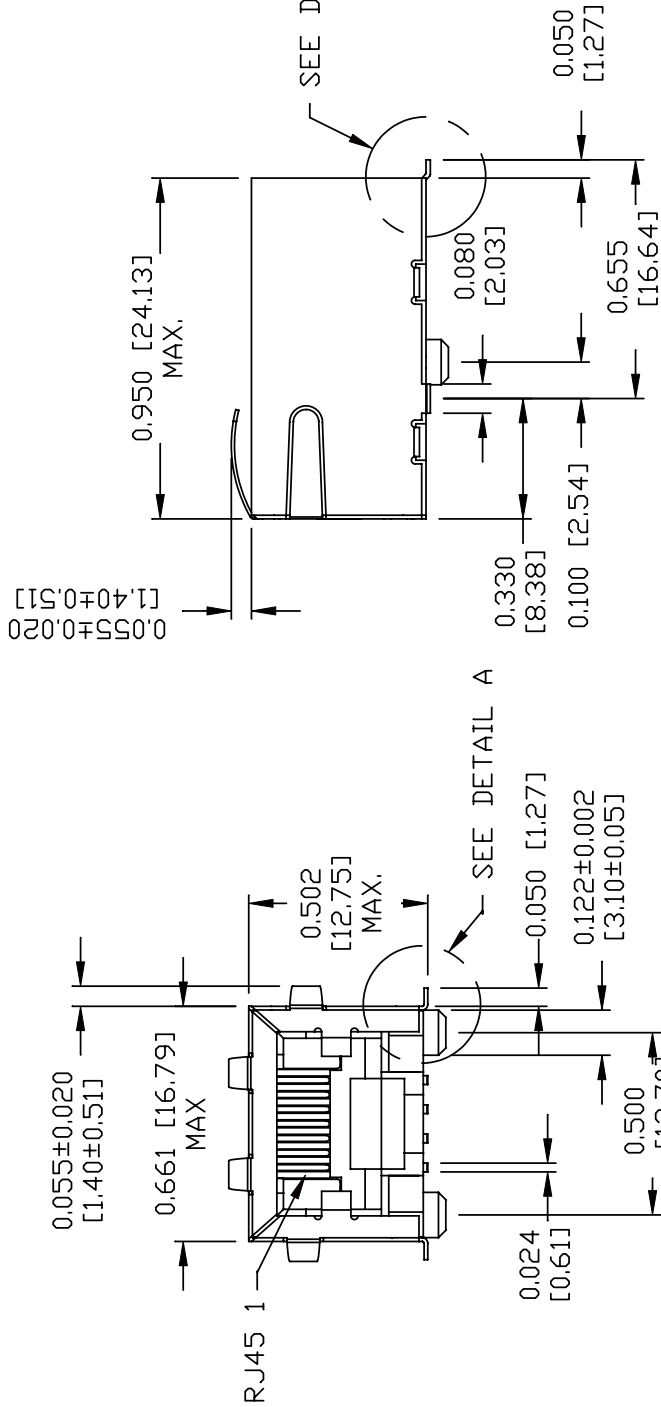
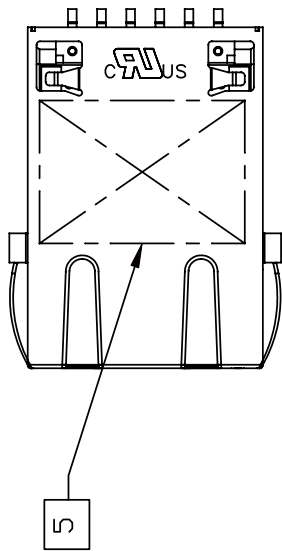


This document is electronically generated. This is a controlled copy if used internally

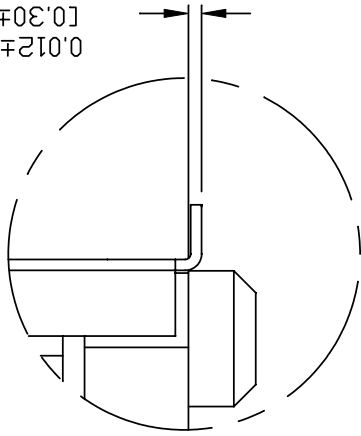
THE INFORMATION CONTAINED HEREIN IS CONSIDERED "PROPRIETARY" TO BEL FUSE INC. AND SHALL NOT BE COPIED, REPRODUCED OR DISCLOSED WITHOUT THE WRITTEN APPROVAL OF BEL FUSE INC.



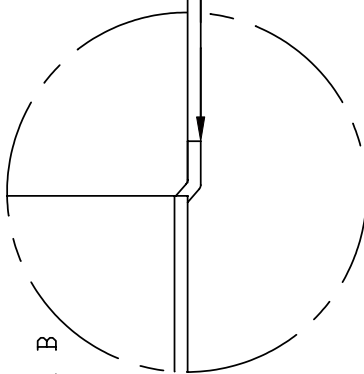
0.012±0.004  
[0.30±0.10]  
GROUND PLATES



DETAIL A  
SCALE 3:1



0.012±0.004  
[0.30±0.10]  
SMD PINS



DETAIL B  
SCALE 3:1

0.006
0.006

ORIGINATED BY	DATE
LIU QIN	03-25-09
DRAWN BY	DATE
XIAN JIAXIN	03-25-09

TITLE  
MagJack®  
4 CORE, WITH CM TERM  
Extended temperature  
S811-1X1T-36-F

PART NO. / DRAWING NO.  
S811X1T36-F  
FILE NAME  
S811X1T36-F\_B.DWG

STANDARD DIM.	TOL. IN INCH
.X	
.XX	
.XXX	±0.010

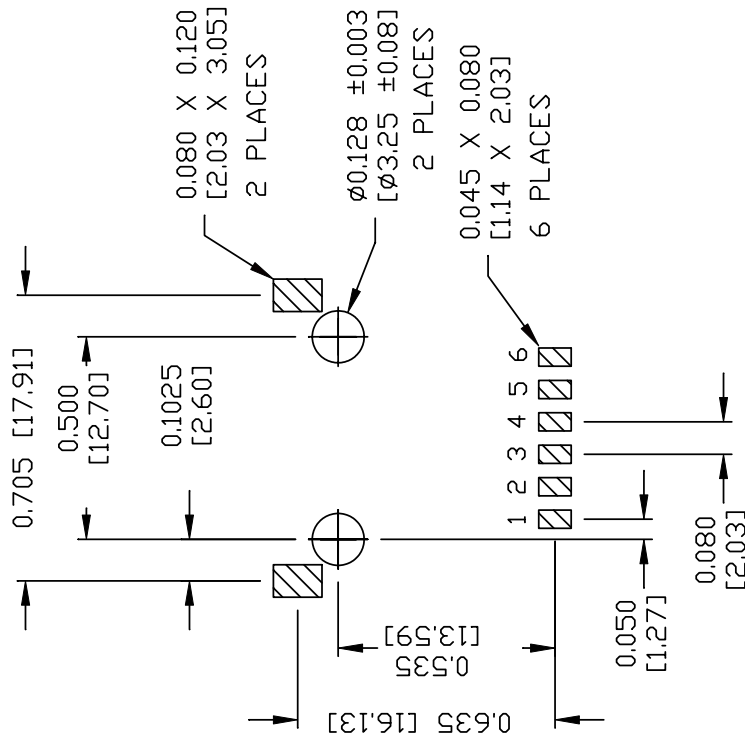
[ ] METRIC DIM. AS REFERENCE	REV. : B
UNIT : INCH [mm]	SIZE : A4
SCALE : N/A	PAGE : 3



THE INFORMATION CONTAINED HEREIN IS CONSIDERED "PROPRIETARY" TO BEL FUSE INC. AND SHALL NOT BE COPIED, REPRODUCED OR DISCLOSED WITHOUT THE WRITTEN APPROVAL OF BEL FUSE INC.



RECOMMENDED PCB FOOTPRINT  
COMPONENT SIDE VIEW



NOTES:

1. PLASTIC HOUSING: THERMOPLASTIC PA & THERMOSET PHENOLIC. FLAMMABILITY RATING UL 94V-0
  2. CONTACTS PLATING: 50 MICRO-INCH HARD GOLD PLATING
  3. PINS: TIN-COATED COPPER WIRE, 0.024 [0.6] X 0.012 [0.3] THK,
  4. METAL SHIELD: NICKEL PLATED ON COPPER ALLOY,
  5. MARK PART WITH MFG. LOGO, MFG. NAME, PART NUMBER, AND DATE CODE. RoHS COMPLIANT, PER EU DIRECTIVE 2002/95/EC.
- RoHS** UL RECOGNIZED - FILE #E196366 AND E169987.  
JACK CAVITY CONFORMS TO FCC RULES AND REGULATIONS.

ORIGINATED BY	DATE	TITLE
LIU QIN	03-25-09	Ma9Jack® 4 CORE, WITH CM TERM Extended temperature S811-1X1T-36-F
DRAWN BY	DATE	
XIAN JIAXIN	03-25-09	

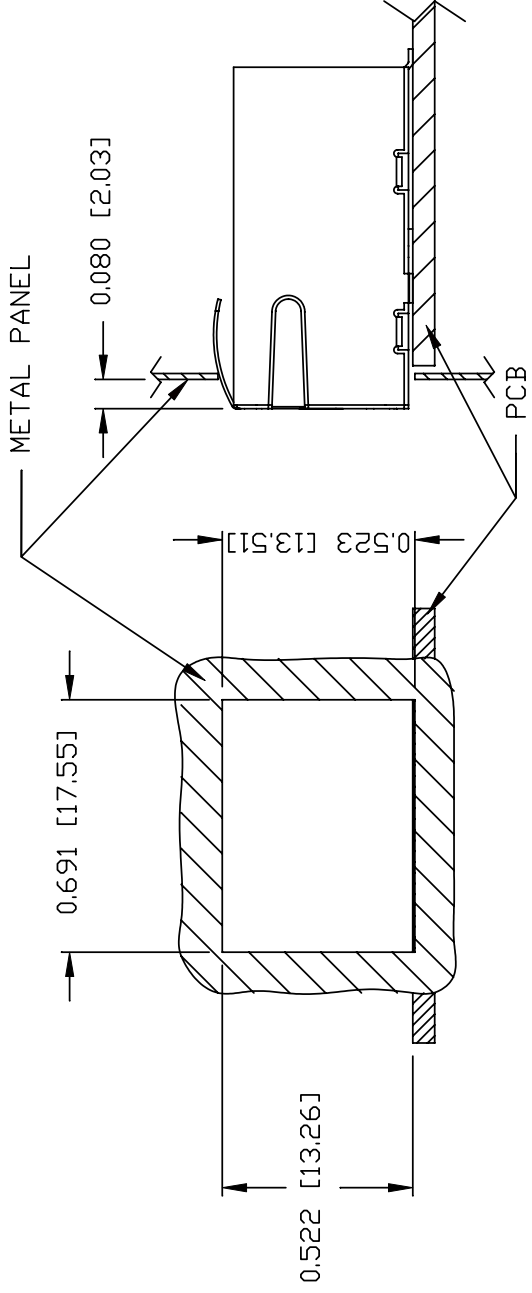
PART NO. / DRAWING NO.	STANDARD DIM.	[ ] METRIC DIM. AS REFERENCE
S811X1T36-F	TOL. IN INCH	UNIT : INCH [mm]
FILE NAME	.X	REV. : B
S811X1T36-F_B.DWG	.XX	SCALE : N/A
	.XXX ±0.004	SIZE : A4
		PAGE : 4



This document is electronically generated. This is a controlled copy if used internally

THE INFORMATION CONTAINED HEREIN IS CONSIDERED 'PROPRIETARY' TO BEL FUSE INC. AND SHALL NOT BE COPIED, REPRODUCED OR DISCLOSED WITHOUT THE WRITTEN APPROVAL OF BEL FUSE INC.

SUGGESTED PANEL OPENING



NOTES:

THE DISTANCE OF PANEL INSIDE SURFACE RELATIVE TO FRONT SURFACE OF PART IS ONLY A SUGGESTION.  
IN CASE THIS DISTANCE IS DIFFERENT, THE REQUIRED PANEL OPENING DIMENSIONS CHANGE ACCORDINGLY.

<b>ORIGINATED BY</b> LIU QIN		<b>DATE</b> 03-25-09	<b>TITLE</b> Ma9Jack® 4 CORE, WITH CM TERM Extended temperature S811-1X1T-36-F		<b>PART NO. / DRAWING NO.</b> S811X1T36-F	<b>STANDARD DIM.</b> TOL. IN INCH .X .XX .XXX ±0.004	<b>[ ] METRIC DIM. AS REFERENCE</b>	
<b>DRAWN BY</b> XIAN JIAXIN		<b>DATE</b> 03-25-09			<b>FILE NAME</b> S811X1T36-F_B.DWG		<b>UNIT : INCH [mm]</b> N/A	<b>REV. : B</b>
							<b>SCALE :</b> ⊕ - - - ⊖	<b>SIZE : A4</b>
								<b>PAGE : 5</b>

This document is electronically generated. This is a controlled copy if used internally