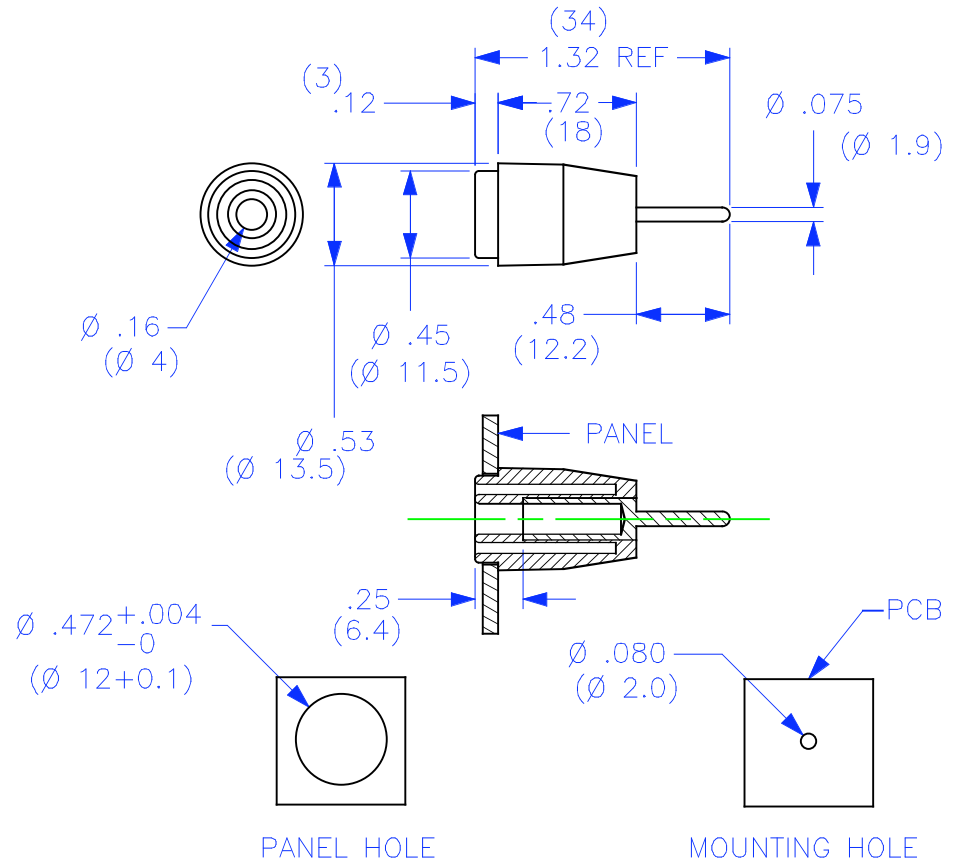


THIS IS ISSUED IN STRICT CONFIDENCE THAT IT IS NOT USED AS A BASIS FOR MANUFACTURE OR SALE AND THAT IT IS NOT COPIED, REPRINTED OR DISCLOSED TO A THIRD PARTY EITHER WHOLLY OR IN PART WITHOUT THE PRIOR WRITTEN CONSENT OF CAL TEST ELECTRONICS, INC.

REVISIONS			
REV.	DESCRIPTIONS	DATE	APPROVED
—	CLASS A RELEASED	10/13/03	

- SAFETY JACK, REAR MOUNT, VERTICAL PCB, SHORT PIN.
- SPECIFICATIONS:  
INSULATOR: POLYACETAL  
CONTACT: BRASS, NICKEL PLATED
- RATING:  
VOLTAGE: 1,000 V CATIII P2 (IEC 61010-031)  
CURRENT: 25A MAX.  
RESISTANCE: <5mΩ.  
TEMPERATURE: -20° C TO +80° C.
- MOUNTING: REF. DIAGRAM
- MAXIMUM PANEL THICKNESS: .12 (3).



**PART NUMBER**

**CT3149-#**

- COLOR:
- 0 - BLACK
  - 1 - BROWN
  - 2 - RED
  - 4 - YELLOW
  - 5 - GREEN
  - 6 - BLUE
  - 7 - PURPLE
  - 8 - GRAY
  - 9 - WHITE

THIRD ANGLE PROJECTION		UNLESS OTHERWISE SPECIFIED DIMENSIONS ARE IN INCHES TOLERANCES ARE: FRACTIONS DECIMALS ± 1/32 .XX ± .02 .XXX ± .005 DO NOT SCALE DRAWING	CONTRACT NO.		<b>Cal Test Electronics</b> 22820 Savi Ranch Parkway Yorba Linda, CA 92887-4610			
			APPROVALS	DATE			TITLE	
		MATERIAL	DRAWN <b>WDH</b>	10/13/03	<b>4mm SAFETY JACK,          VERTICAL PCB MOUNT, SHORT PIN</b>			
		FINISH	CHECKED					
NEXT ASSY	USED ON		ENGR.		SIZE <b>A</b>	CAGE CODE <b>43F45</b>	DWG. NO. <b>P314900</b>	REV. <b>—</b>
APPLICATION			DESIGN ACTIVITY		SCALE <b>1:1</b>	SHEET <b>1 OF 1</b>		

# Mouser Electronics

Authorized Distributor

Click to View Pricing, Inventory, Delivery & Lifecycle Information:

## Cal Test Electronics:

[CT3149-1](#) [CT3149-9](#) [CT3149-4](#) [CT3149-5](#) [CT3149-6](#) [CT3149-7](#) [CT3149-2](#) [CT3149-8](#) [CT3149-0](#)