

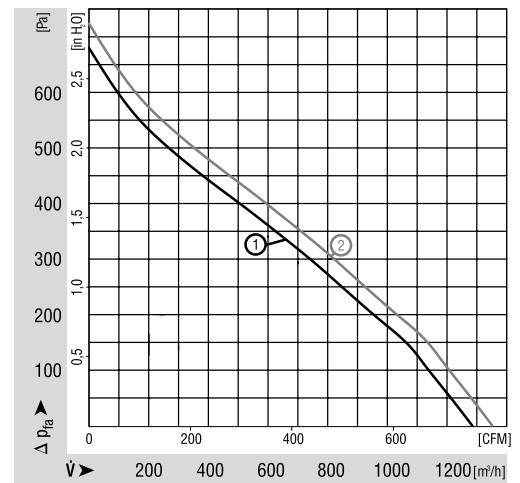
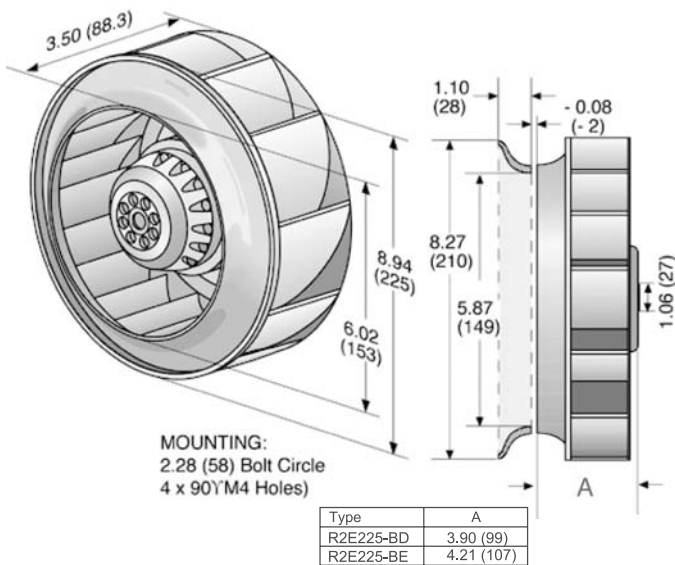


## R2E225 Series Motorized Impeller

### Ø 225mm Backward Curved

- Backward curved centrifugal fans feature extremely long blades. These impellers are highly resistant to dirt and dust. Their hydraulic efficiency is very high.
- Impeller completely made of plastic PA 6.6.
- Maintenance-free ball bearings.
- Insulation class "B". Cable exit: variable. Direction of rotation is CW as seen from intake side.
- UL, CSA, VDE approvals on most models, please contact application engineering.
- Recommended inlet ring: 96358-2-4013

Part Number	Curve	CFM @ 0	VAC	Hertz	Power (W)	dBA	Max Amb. Temp C	Bearing Type	Features	Capacitor (µF)	Wgt. (lbs)
R2E225-BE51-09	1	756	115	60	185	75	50	Ball	Leads	20	6.00
R2E225-BE47-09	1	756	230	60	185	75	45	Ball	Leads	5	6.00
R2E225-BD92-36	2	789	230	60	200	71	60	Ball	Leads	-	6.84



**ebmpapst**

e-mail: [sales@us.ebmpapst.com](mailto:sales@us.ebmpapst.com) · TEL: 860-674-1515 · FAX: 860-674-8536  
ebm-papst Inc., 100 Hyde Road, Farmington, CT 06034 USA

ebm-papst Inc., 2006 © ebm-papst Inc. reserves the right to change any specifications or data without notice

From: Peter Kimmett [mailto:pkimmett@us.ebmpapst.com]  
Sent: Thursday, November 05, 2009 10:26 AM  
To: Kevin Jackson  
Cc: Liz Bouvier; Susan Glendenning  
Subject: RE: Need Product Information - EBM PAPST

Hello Kevin,

Please see my comments below as well as all included attachments.

600-0457      55416.2725                      Blower;AC Crossflow; 115VAC; 60 hz; 180CFM  
I believe you are referring to the 55416.27250? If so, I can provide you with a drawing (see attached).

600-0507      4214/12H  
See attached spec on "4200" series product and "Sensor Signal 12"

600-0526      A2D200-AA02-01                      Fan, axial, 5 straight blades, 230V, 50Hz  
See attached spec on "W2D200-CA02"

600-0497      LZ30-6  
See attached spec on "Finger Guards plastic"

600-0430      R2E225-BE51-13                      Impeller; Backward Curved;756 CFM; 115 VAC; 75 dBA; Ball; Leads; 225mm  
See attached spec "R2E225" which refers to the -09 version. The difference between the -09 and the -13 is the -13 has a connector

600-0509      W2E200-HH64-05  
See attached spec "W2E200-HH64" which refers to the -01 version. The -05 version is the newer model.