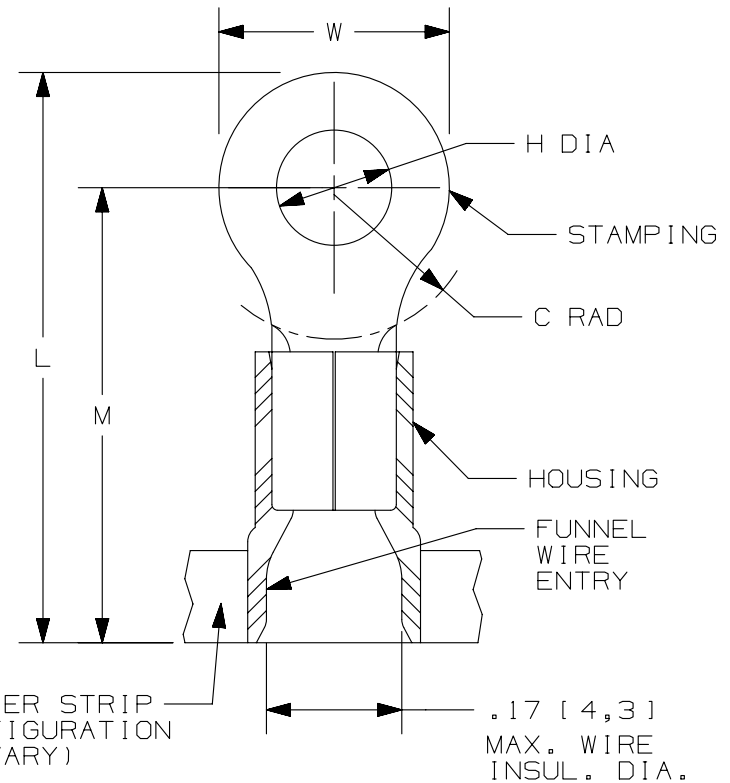


THIS COPY IS PROVIDED ON A RESTRICTED BASIS AND IS NOT TO BE USED IN ANY WAY DETRIMENTAL TO THE INTERESTS OF PANDUIT CORP.

PANDUIT PART #	STUD SIZE		DIMENSIONS in. [mm]				
	ENGLISH	METRIC	L ± .03 [0,76]	W ± .01 [0,25]	C ± .02 [0,51]	M ± .03 [0,76]	H ± .01 [0,25]
PV14-4RB	#4	--	.76 [19,3]	.25 [6,4]	.22 [5,6]	.63 [16,0]	.12 [3,1]
PMV2-3RB	--	M3	.84 [21,3]	.23 [5,8]	.20 [5,1]	.64 [16,3]	.13 [3,3]
PV14-6RNB	#6	M3,5	.76 [19,3]	.25 [6,4]	.22 [5,6]	.63 [16,0]	.15 [3,8]
PV14-6RB	#6	M3,5	.86 [21,8]	.31 [7,9]	.25 [6,4]	.70 [17,8]	.15 [3,8]
PV14-8RB	#8	M4	.86 [21,8]	.31 [7,9]	.25 [6,4]	.70 [17,8]	.17 [4,3]
PV14-10RB	#10	--	.86 [21,8]	.31 [7,9]	.25 [6,4]	.70 [17,8]	.20 [5,1]
PMV2-5RB	--	M5	.96 [24,4]	.35 [8,9]	.26 [6,5]	.70 [17,8]	.21 [5,3]
PV14-14RB	1/4"	M6	1.05 [26,7]	.45 [11,4]	.38 [9,7]	.83 [21,1]	.27 [6,9]
PV14-56RB	5/16"	M8	1.06 [26,9]	.46 [11,7]	.38 [9,7]	.83 [21,1]	.33 [8,4]
PV14-38RB	3/8"	--	1.15 [29,2]	.53 [13,5]	.43 [10,9]	.88 [22,4]	.39 [9,9]



NOTES:

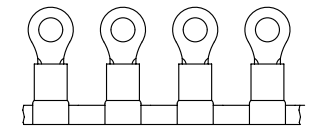
- USED FOR:
 - A. #16-14 AWG [1,5-2,5 mm²] SOLID OR STRANDED COPPER WIRE
 - B. 221°F [105°C] MAX. OPERATING TEMPERATURE
 - C. 600 V. MAX. VOLTAGE RATING
- INSTALLATION TOOLS:
 - A. PRESSES: CP-861, CP-862, CP-871
 - B. APPLICATOR: CA-800EZ, CA9
 - C. DIE INSERTS: CD-800-2, CD9-2A, CD9-2B
- WIRE STRIP LENGTH: 1/4" ^{+1/32} [6,4^{+0,8}]
- MATERIAL:
 - A. STAMPING: .03" [0,8] THK COPPER, TIN PLATED
 - B. HOUSING: VINYL, BLUE
- SEE www.panduit.com FOR PACKAGE QUANTITIES INDICATED BY PART NUMBER SUFFIX
- DIMENSIONS IN BRACKETS ARE METRIC EQUIVALENT



LISTED
587H
E52164



CERTIFIED
LR31212



TITLE		RING TERMINALS, 2 PC. VINYL INSULATED, #16-14				
ITEM REVISION NAME		CUSTOMER DRAWING				
DATASET FILE NAME		N41068BA/07				
DATASET FILE NAME		N41068BA_DC/07A				
UNLESS OTHERWISE SPECIFIED, DIMENSIONAL TOLERANCES ARE: IN [mm]		MATERIAL: SEE NOTES				
.x ± .1 [2.54] .xxx ± .005 [.13]		DRAWING NUMBER: A41068				
.xx ± .01 [.25] ANGLES ± 5°		THIRD ANGLE PROJECTION				
DRAWN BY	DATE	CHK	SCALE	STZE		
CLK	-	FS	N.T.S.	A		
REV		DESCRIPTION		ECN		
07	09.14.12	JBN	LCA	VMB	ADDED METRIC EQUIVALENT. REVISED NOTES. UPDATED DRAWING TO CURRENT STANDARDS.	A41068

D101000DA/15

Mouser Electronics

Authorized Distributor

Click to View Pricing, Inventory, Delivery & Lifecycle Information:

Panduit:

[PV14-10RB-3K](#) [PV14-14RB-3K](#) [PV14-6RNB-3K](#) [PV14-6RB-3K](#) [PV14-8RB-3K](#) [PV14-38RB-2K](#) [PV14-4RB-3K](#)
[PV14-56RB-2K](#)