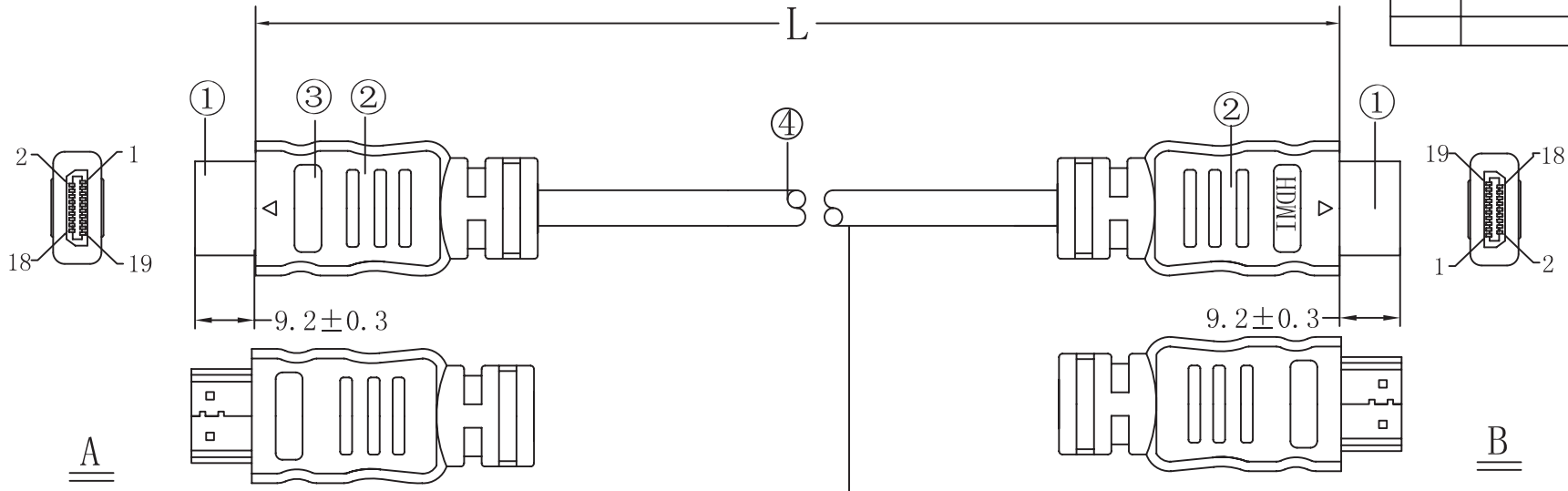


REV	DESCRIPTION	DATE



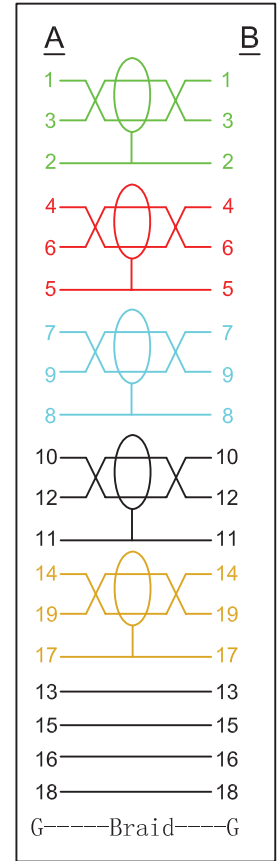
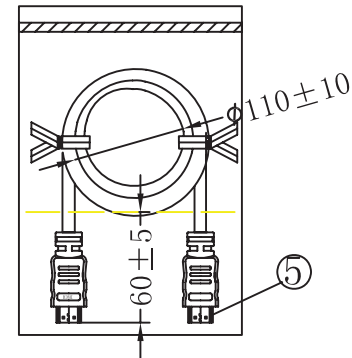
VCOM AWM 20276 80°C 30V VW-1 High Speed HDMI Cable With Ethernet

Cable length (L)	Tolerance (T)
15000	150

Test Conditions:

- 100% open & short circuit test;
- Insulation Resistance: 2.0ohm (MAX);
- Conduction Resistance: 10Mohm (MIN) at 300V DC/0.01S .

PACKING DRAWING:



NOT: COAX

⑤	HDMI BOOT:PVC, TRANSPARENT, 65P, ANTI OXIDANT		PCS	2	
④	INNER MOLDING:HDPE		g		
③	CABLE: [(26AWG*1P+DW+AL Foil+MYLAR)*5P+1P+2C]+AL Foil+DW+BD 1.4V OFC Conductor BLACK OD: 8.0 mm		mm	L	
②	OVER MOLDING:50P PVC BLACK	520-6107-50	g		
①	HDMI 19PIN MALE SOLDERING TYPE GOLD PLATED		PCS	2	S-D100B/S-D100A
NO.	MATERIAL DESCRIPTION	MATERIAL NUMBER	UNIT	QTY	MOLD NO. :



VCOM International Ltd.

TITLE	HDMI19PM/M	CUSTOMER	ETE	UNIT	mm	PAGE: 1 of 1
PART NO.	SAM-AC-0108A	CUSTOMER NO.				
PRODUCT NO.		REV	A/0	DATE	2016-05-10	
DRAWN BY: Xiang	CHECKED BY:			APPROVED BY:		