

PTC HEATER

RCE 016 | 5 W, 9 W



- > Compact size
- > Wide voltage range
- > Energy saving

> Heating power adjusts to ambient temperature

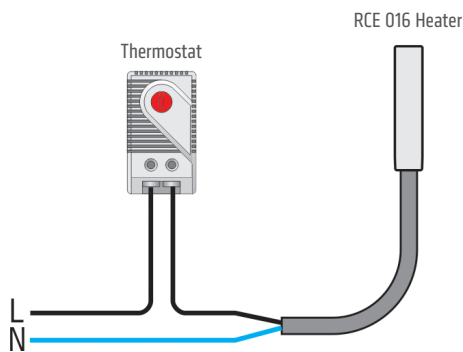
The RCE 016 small heaters have been designed to prevent condensation and to ensure a minimum operating temperature in small enclosures. They are suitable for permanent operation.



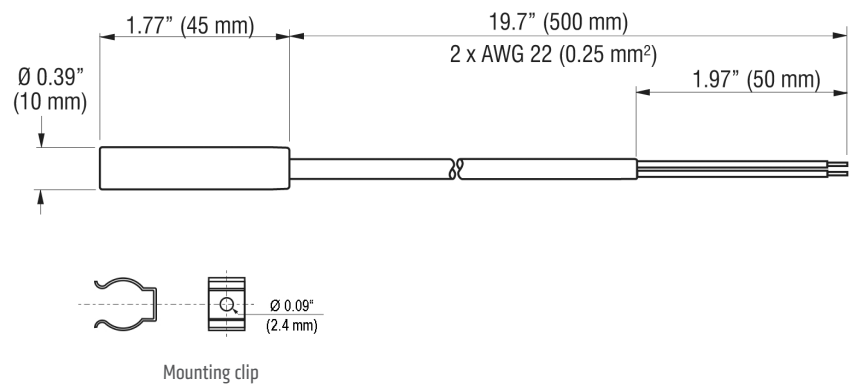
TECHNICAL DATA

Operating voltage	see table below
Heating element	PTC resistor, temperature limiting
Heater body	aluminum, anodized
Insulation	PTFE / Kapton
Mounting	2 pressure clips included (mounting screws not included)
Mounting position	variable
Dimensions	length 1.77", Ø 0.39" (45 mm, Ø 10 mm)
Operating / Storage temperature	-49 to +158 °F (-45 to +70 °C)
Operating / Storage humidity	max. 90 % RH (non-condensing)
Protection class / Protection type	II (double insulated) / IP54

Wiring example



PTC Heater RCE 016



Part No.	Heating capacity ¹	Operating voltage ²	Max. current (inrush)	Recommended pre-fuse T (time-delay)	Surface temperature (approx.) ¹	Weight (approx.)	Approvals		
01622.0-03	5 W	AC/DC 120 – 240 V	2.0 A	2.0 A	329 °F (165 °C)	0.7 oz. (20 g)	UL File No. E234324	VDE	EAC
01623.0-01	9 W	AC/DC 120 – 240 V	2.5 A	4.0 A	347 °F (175 °C)	0.7 oz. (20 g)	UL File No. E234324	VDE	EAC
01624.0-03	5 W	AC/DC 12 – 30 V	5.8 A	6.3 A	284 °F (140 °C)	0.7 oz. (20 g)	UL File No. E234324		EAC
01625.0-02	9 W	AC/DC 12 – 30 V	2.4 A	4.0 A	360 °F (182 °C)	0.7 oz. (20 g)	UL File No. E234324		EAC

¹ at 68 °F (20 °C) ambient temperature; ² operating high voltage heaters below AC/DC 140 V reduces heating performance by approx. 10% (min. 110 V, max 265 V)