



D Series

This connector consists of an insert and shell which lock together using a "00" size flathead screwdriver (part # SD-1) after assembly. The ability to order the inserts and shells separately allows the user to choose the best combination for any application. PC mount horizontal (right angle), vertical, or solder springs are the available terminations. RF protected via 3 point coaxial ground contact to the shell of mated connectors. Available accessories are the same as for the "D-L-1" series.

Part drawings are available courtesy of www.Neutrik.com. For additional drawings, please contact NeutrikUSA.

ORDERING INFORMATION "D" Series Male				
# of Contacts	Nickel Silver	Black Chrome		Termination
		Silver	Gold	
3	NC3MD-H	NC3MD-H-BAG	NC3MD-H-B	PC mount horizontal
3	NC3MD-V	NC3MD-V-BAG	NC3MD-V-B	PC mount vertical
3	NC3MD-L	NC3MD-L-BAG	NC3MD-L-B	Solder Springs

ORDERING INFORMATION "D" Series Female				
# of Contacts	Nickel Silver	Black Chrome		Termination
		Silver	Gold	
3	NC3FD-H	NC3FD-H-BAG	NC3FD-H-B	PC mount horizontal
3	NC3FD-V	NC3FD-H-BAG	NC3FD-V-B	PC mount vertical
3	NC3FD-L	NC3FD-L-BAG	NC3FD-L-B	Solder Springs

ORDERING INFORMATION "D" Series Inserts/Shells Male						
# of Contacts	Inserts			Shells		
	Silver	Gold	Termination	Nickel	Black Cr	Black Plastic
3	3MD-H-I	3MD-H-I-B	PC Mt Horiz	DH-NM**	DH-NM-BAG**	DHP
3	3MD-L-I	3MD-L-I-B	Solder Spring			
3	3MD-V-I	3MD-V-I-B	PC Mt Vert			

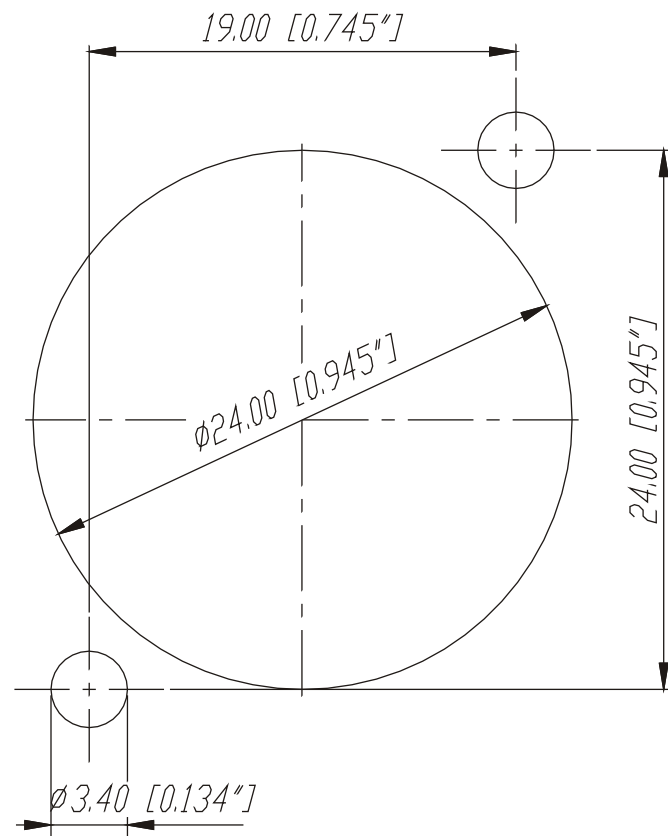
ORDERING INFORMATION "D" Series Inserts/Shells Female						
# of Contacts	Inserts			Shells		
	Silver	Gold	Termination	Nickel	Black Cr	Black Plastic
3	3FD-H-I	3FD-H-I-B	PC Mt Horiz	DH-NF**	DH-NF-BAG**	DHP
3	3FD-H-I-0	N/A	PC Mt Horiz	DH-NF-0**	DH-NF-BAG-0**	
3	3FD-L-I	3FD-L-I-B	Solder Spring			
3	3FD-L-I-0	N/A	Solder Spring			
3	3FD-V-I	3FD-V-I-B	PC Mt Vert			
3	3FD-V-I-0	N/A	PC Mt Vert			

-0 = Latchless -retention spring instead of "push" tab

** Shells available with M3 threads add "-M3" as suffix when ordering. Minimums may be required. Contact factory before ordering.

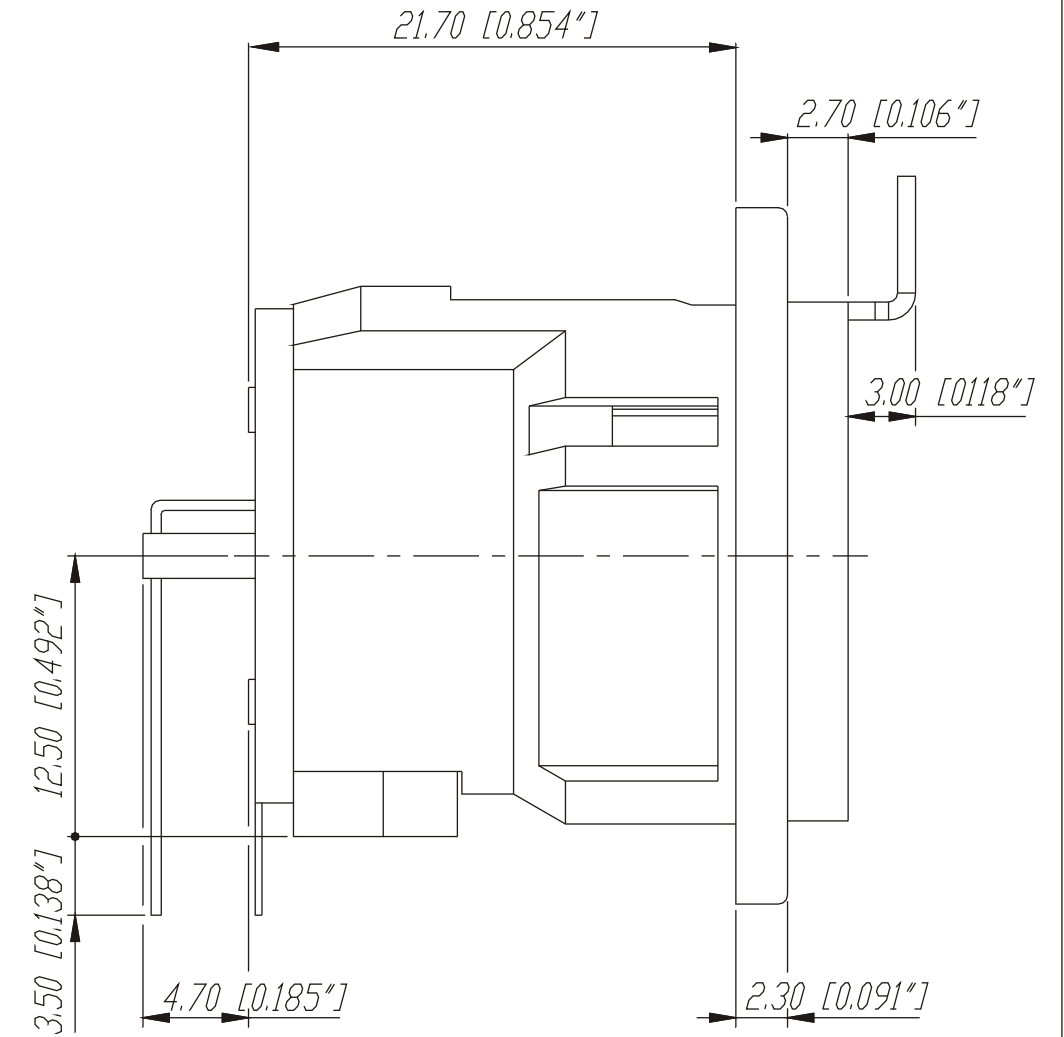
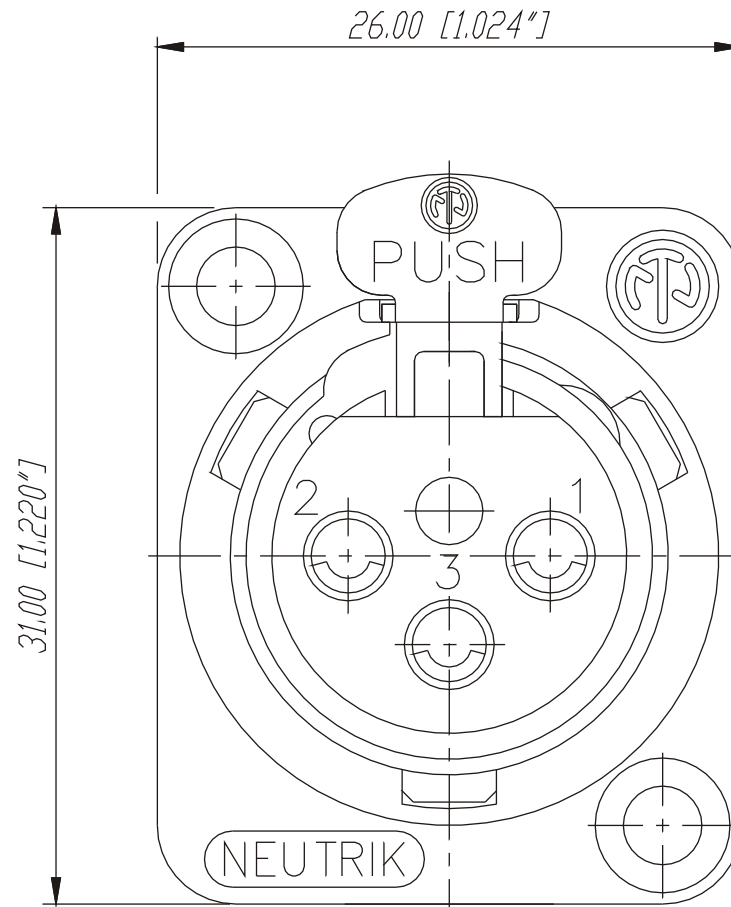
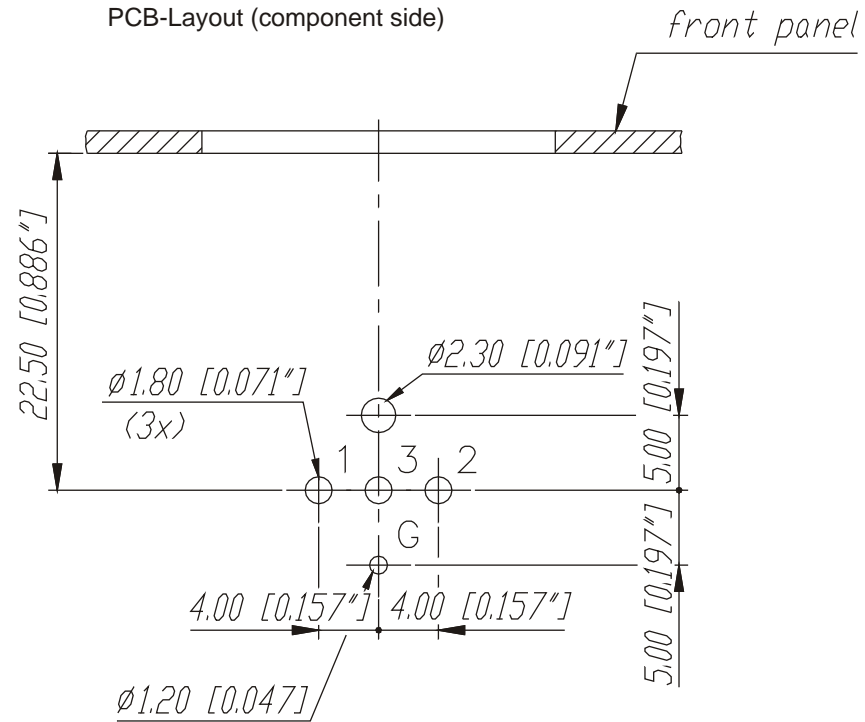
Frontplattenausschnitt (Rückseite)

Panel cut out (rear side)



Print-Bohrplan (Bestückungsseite)

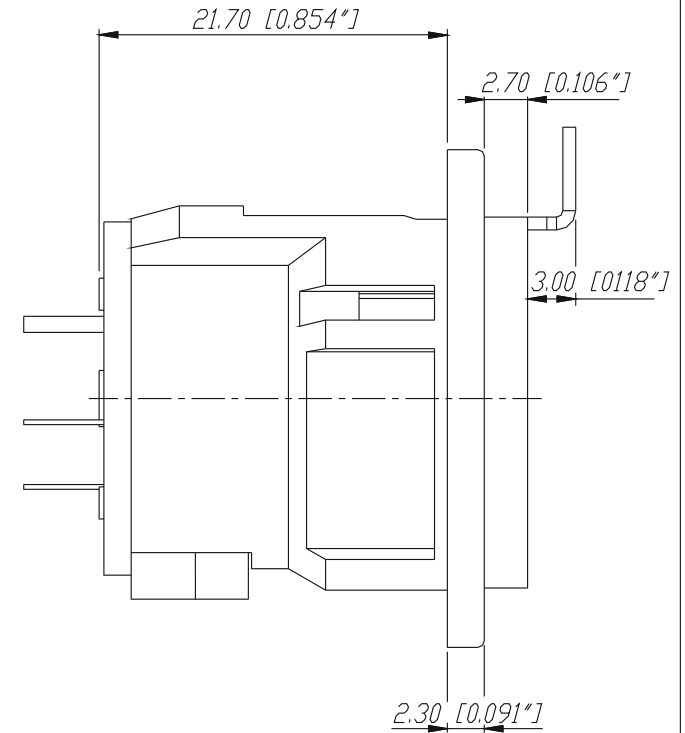
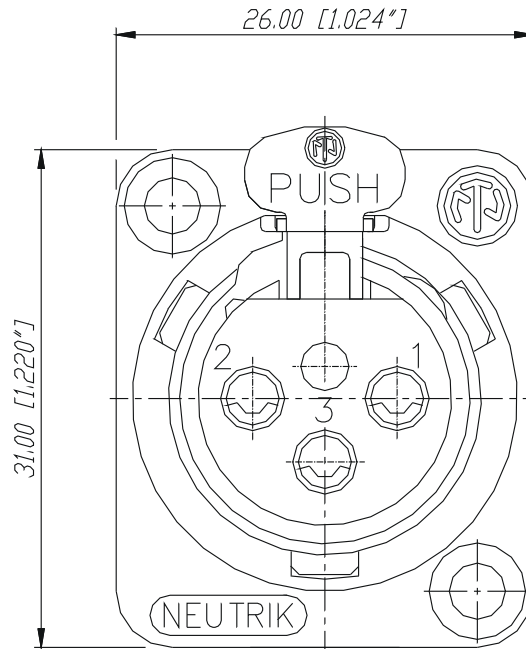
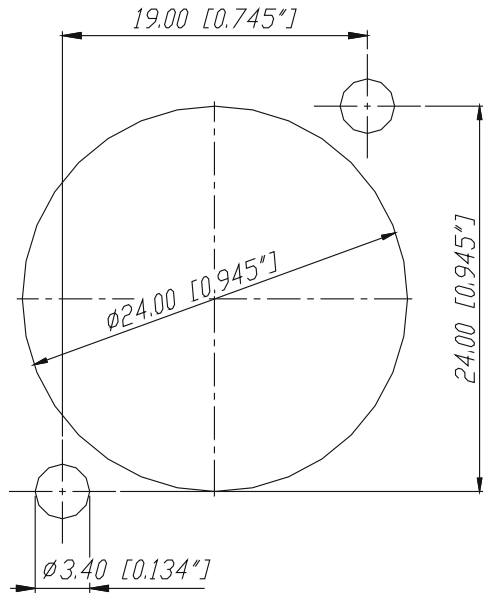
PCB-Layout (component side)



				Werkstoff:	Massstab:	Datum	Name
*)Lieferant darf ohne Rucksprache nicht geandert werden					3:1	25.04.88	Martinek
Zeichnung urheberrechtlich geschuetzt (DIN 34) (C)					2:1		
Benennung:						Ersetzt durch:	Blatt
NC3FD-H						Ersatz fuer:	von Blatt
B	Aktuelle Zeichnung	05.03.98	Alinjak				
A	Print Layout	17.11.95	Loretz				
Ind.	Aenderung	Datum	Name	Zeichn. Nr. 3102 St 10 01			
				NEUTRIK AG FL-9494 SCHAAN			

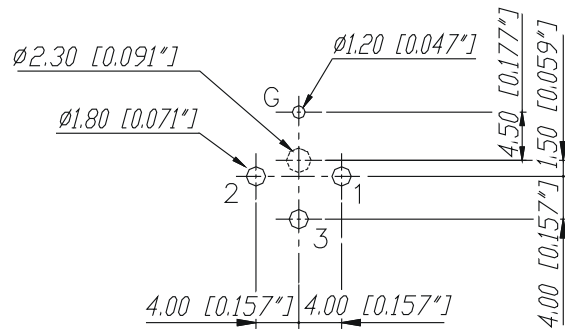
Frontplattenausschnitt (Rückseite)

Panel cut out (rear side)



Print-Bohrplan (Bestückungsseite)

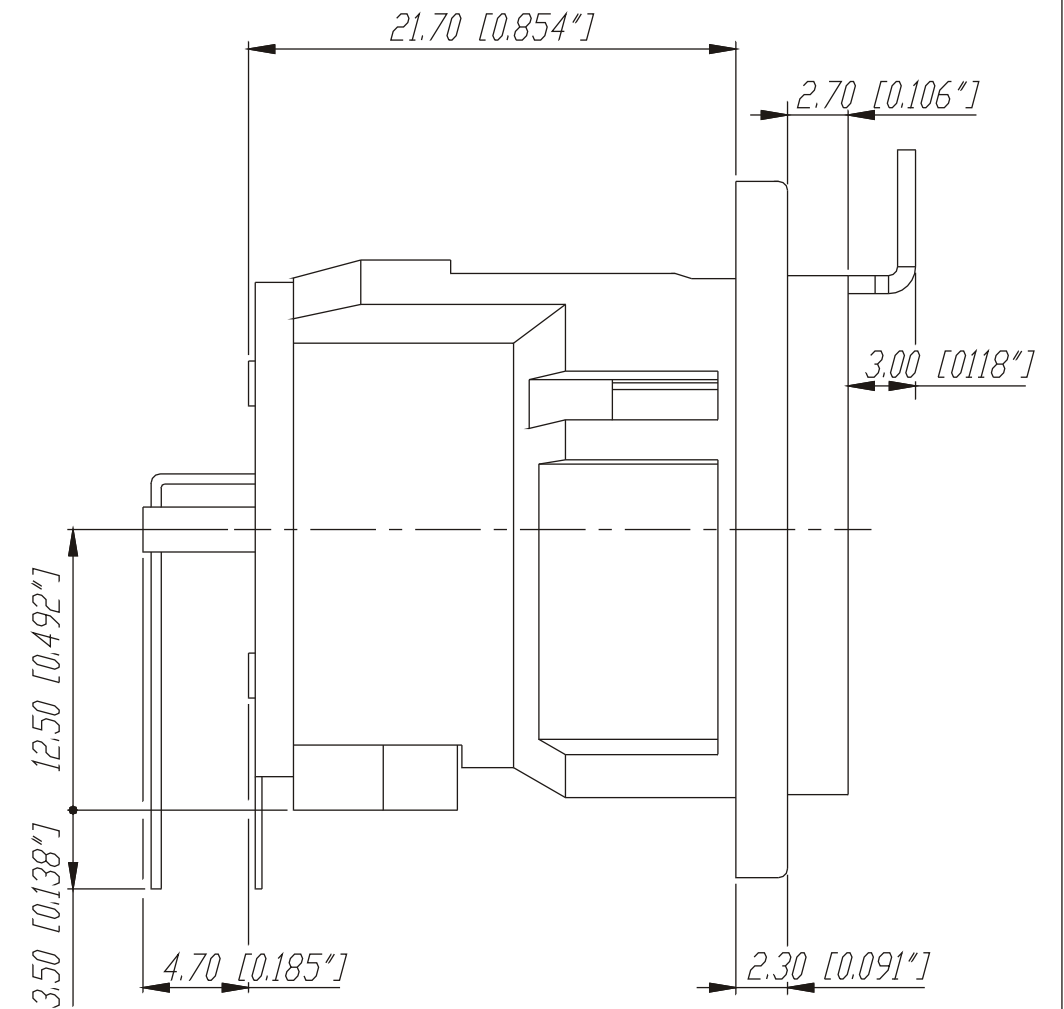
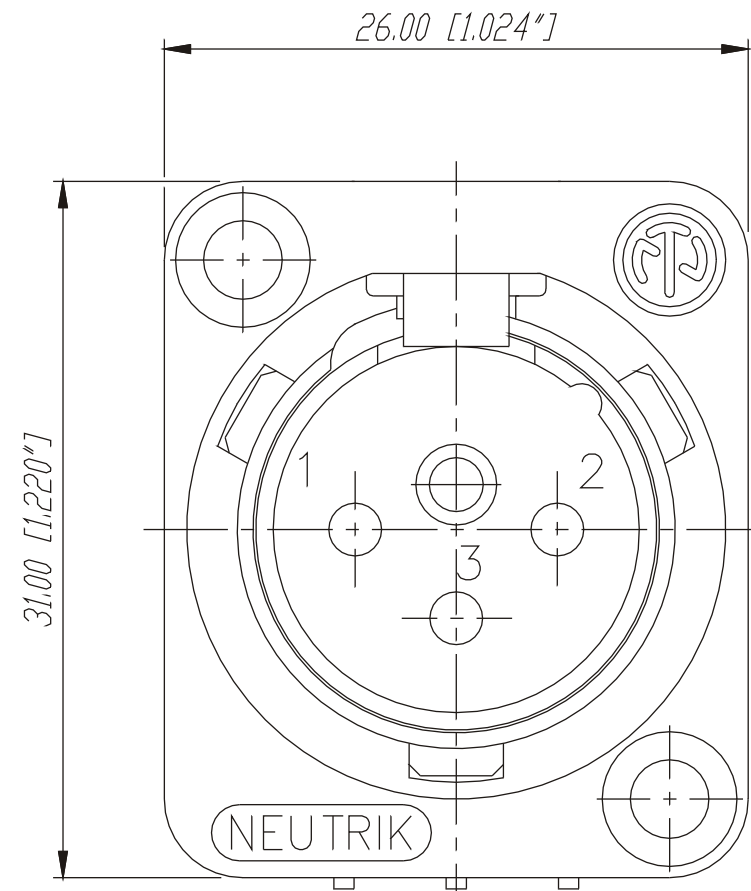
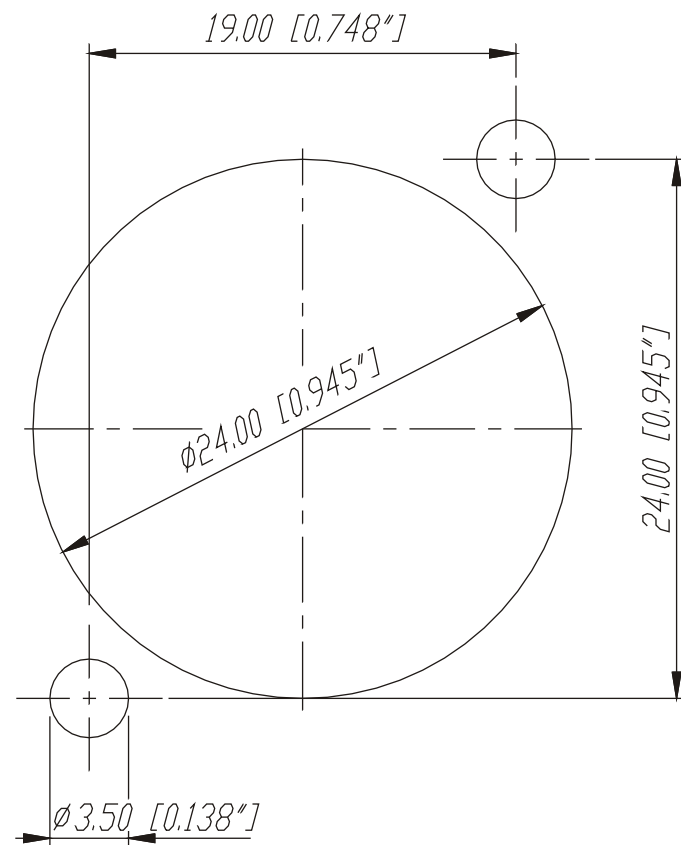
PCB-Layout (component side)



Ind.	Aenderung	Datum	Name	Werkstoff:	Massstab:	Gezeichnet	Datum	Name
				*)Lieferant darf ohne Ruecksprache nicht geaendert werden	3:1		31.10.95	Dobler
					2:1	Geprueft		
				Benennung:		Ersetzt durch:		Blatt
				NC3FD-V		Ersatz fuer:		von Blatt
A	Aktuelle Zeichnung	07.04.98	Alinjak	NEUTRIK AG FL-9494 SCHAAN		Zeichn. Nr.		3102 St 10 39

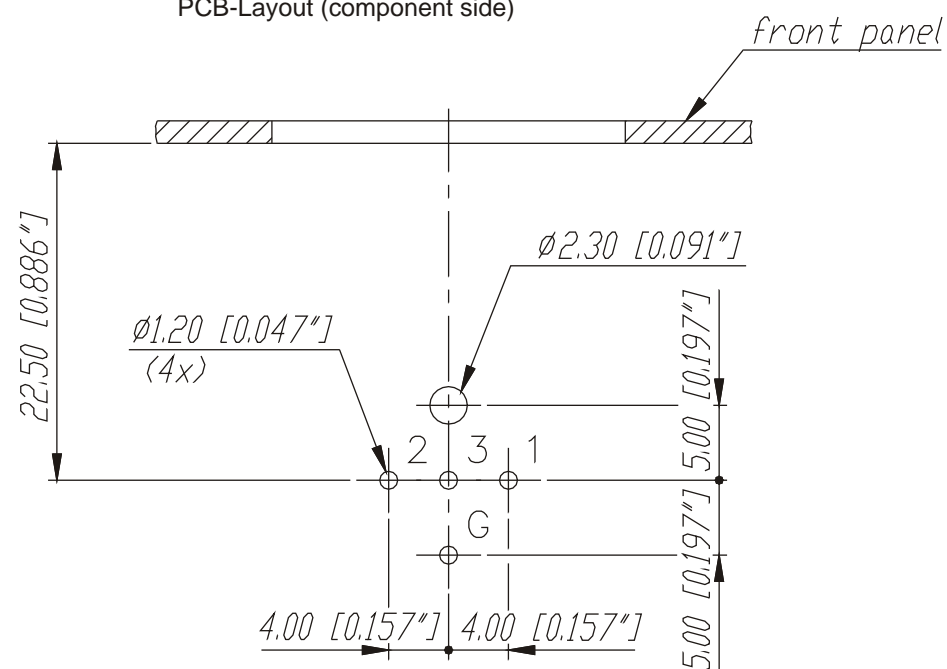
Frontplattenausschnitt (Rückseite)

Panel cut out (rear side)



Print-Bohrplan (Bestückungsseite)

PCB-Layout (component side)



Ind.	Aenderung	Datum	Name	Benennung:	Werkstoff:	Massstab:	Gezeichnet	Datum	Name		
B	Aktuelle Zeichnung	05.03.98	Alinjak	NC3MD-H		3:1	Gezeichnet	25.04.88	Martinek		
A	Print Layout	16.11.95	Loretz				Geprueft		2:1	Gesehen	
							Ersetzt durch:		Ersetzt fuer:		Blatt
				NEUTRIK AG FL-9494 SCHAAN			Zeichn. Nr.	3102 St 10 08	von Blatt		

*Lieferant darf ohne Ruecksprache nicht geaendert werden
 Zeichnung urheberrechtlich geschuetzt (DIN 34) (C)
 Benennung: **NC3MD-H**
 Werkstoff:
 Massstab: 3:1
 Gezeichnet: 25.04.88 Martinek
 Geprueft:
 Gesehen:
 Ersetzt durch:
 Ersetzt fuer:
 Zeichn. Nr. 3102 St 10 08

Specifications - XLR Cable Connectors								
Electrical		X Series	X-1 Series	RC Series	X-HD Series	FX-S Series	FZ-L Series	FX-Spec Series
Number of contacts:	3-7	X	3 only	X	3	3 only	3 only	3 only
Rated Current:	<i>see table below</i>	X	X	X	X	X	6A	X
Contact resistance:	< 3 mΩ	X	X	X	X	X	X	X
Insulation resistance initial:	>2·10 ⁹ mΩ	X	X	X	X	X	X	X
Insulation resistance after damp heat test:	>1.10 ⁹ mΩ	X	X	X	X	X	X	X
Dielectric strength:	1500 V dc	X	X	X	X	X	X	X
Mechanical		X Series	X-1 Series	RC Series	X-HD Series	FX-S Series	FZ-L Series	FX-Spec Series
Insertion/withdrawal force:	≤ 20N	X	X	X	X	X	X	X
Max. Wire Size:	<i>see table below</i>	X	X	X	X	X	X	X
Cable O.D. range:	3.5mm - 8.0mm	X	4mm - 7mm	4mm - 7mm	X	X	5mm - 6.7mm	X
Environmental		X Series	X-1 Series	RC Series	X-HD Series	FX-S Series	FZ-L Series	FX-Spec Series
Temperature range:	-30°C to +80°C	X	X	X	X	X	X	X
Flammability:	UL 94HB	X	X	X	X	X	X	X
Solderability:	Complies with IEC 68-2-20	X	X	X	X	X	X	X
Protection Class :		N/A	N/A	N/A	IP65	N/A	N/A	N/A
Materials		X Series	X-1 Series	RC Series	X-HD Series	FX-S Series	FZ-L Series	FX-Spec Series
Shell:	ZnAl4Cu1, black Chrome over Cu plating	X	X	X	X	X	X	Black Cr. Only
Cover:	EPDM (natural rubber)	N/A	N/A	N/A	N/A	N/A	X	N/A
Insert:	PA 6.6 30% GR (glass reinforced)	X	X	X	X	X	X	X

Locking Ring :	ZnAl4Cu1, gal Ni or black Chrome over Cu plating	N/A	N/A	N/A	N/A	N/A	X	Black Cr.
Contacts:	female (3 pole) CuSn6	X	X	X	X	X	X	N/A
Contacts:	female (4-7 pole) & male CuZn 39P63	X	X	X	X	N/A	N/A	N/A
Contact surface:	gal 0.3 μ m Au hard alloy over 2 μ m Ni	X	X	X	X	X	gal 0.1 μ m AuCo hard alloy over 2 μ m Ni15 (Tribor)	Silver only
Latch lock:	St3K32 (latch)/CK 67 (spring)	X	X	X	X	X	X	X
Strain relief clamp:	POM	X	X	X	X	X	X	X
Antikink boot:	PUR	X	X	X	PUR	X	EPDM	X

XLR Rated Current			
X	1[A]	{mm ² /AWG}	C[pF]
3	16	2.5/14	≤ 4
4	10	1.5/16	≤ 7
5	7.5	1.0/18	≤ 7
6	7.5	1.0/18	≤ 7
7	5	1.0/18	≤ 9

Part drawings are available courtesy of www.neutrik.com. For additional drawings, please contact NeutrikUSA.