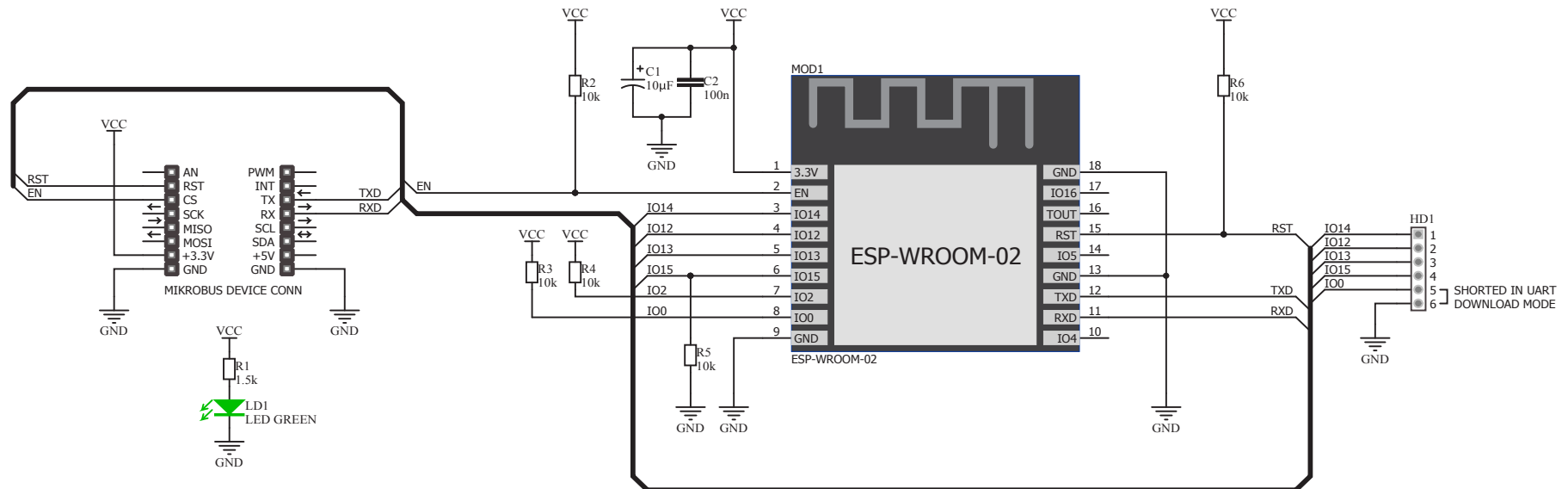


WiFi ESP click schematic v100



www.mikroe.com