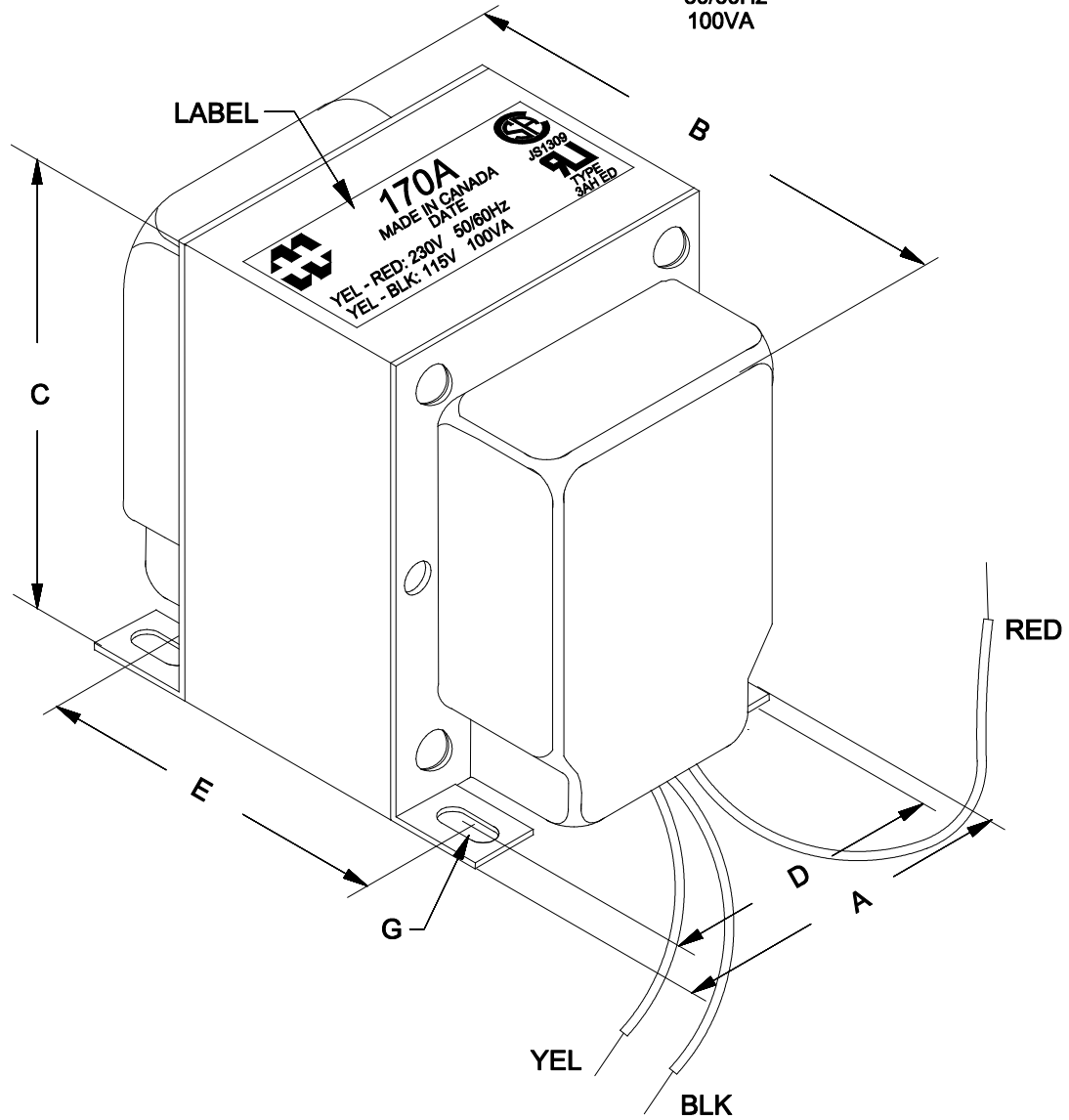
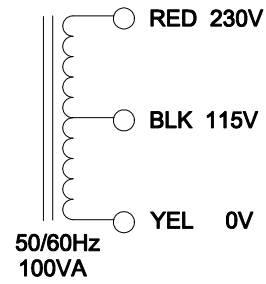


170A

| DIMENSIONS: |                        |
|-------------|------------------------|
| A           | 2.500" ±0.063          |
| B           | 2.936" ±0.125          |
| C           | 3.060" ±0.063          |
| D           | 2.000" ±0.063          |
| E           | 1.938" ±0.063          |
| G           | 0.203" X 0.375" ±0.015 |



NOTE: ALL LEADS 8" OUT MIN., STRIPPED .25"



52 RANKIN PLACE,  
WATERLOO, ONTARIO, N2L 3Z5.  
PHONE (519) 886-6181  
FAX # (519) 886-9540

TITLE

170A

|    |          |           |                      |
|----|----------|-----------|----------------------|
|    |          |           | DR BY<br>CORINA ILIE |
| 1  | 10/25/11 | RELEASED. | DATE<br>10/25/11     |
| NO | DATE     | REVISION  | DIM IN(X)MM( )       |

170A