



- MICRO FORM FACTOR
- DIGI TRUSTFENCE® SECURED
- MICROPYTHON PROGRAMMABLE

1/3 THE SIZE
OF CURRENT
DIGI XBEE SMT



DIGI XBEE 3 DIGIMESH 2.4

Wireless connectivity using the innovative and easy-to-deploy DigiMesh® protocol

Digi XBee® 3 modules accelerate time to market for designers, OEMs and solution providers by quickly enabling wireless connectivity and easy-to-add functionality. Building on industry-leading technology, pre-certified Digi XBee 3 modules offer the flexibility to switch between multiple frequencies and wireless protocols as needed.

These modules use the DigiMesh® networking protocol using a globally deployable 2.4 GHz transceiver. This peer-to-peer mesh network offers users added network stability through self-healing, dense network operation, extending the operational life of battery dependent networks and provides an upgrade path to IEEE 802.15.4 or Zigbee mesh protocols, if desired.

With Digi Remote Manager®, Digi XBee 3 modules can be easily configured and controlled from a simple, central platform. Built-in Digi TrustFence® security, identity and data privacy features use more than 175 controls to protect against new and evolving cyber threats. MicroPython and Digi XCTU® software tools simplify adding functionality, configuration and testing.

From edge computing to future migration, Digi XBee modules offer size, weight, power and performance advantages ideal for scalable device connectivity. A versatile addition to the expanding Digi XBee Ecosystem of wireless modules, adapters and software, the Digi XBee 3 series is engineered to accelerate development and deployment.

SIZE AND FLEXIBILITY

- At 13 mm x 19 mm, the new Digi XBee® 3 micro form factor allows for more compact and portable applications
- Digi XBee 3 is one module for all protocols including: Zigbee, 802.15.4, DigiMesh®, and BLE, all configurable via Digi XCTU®

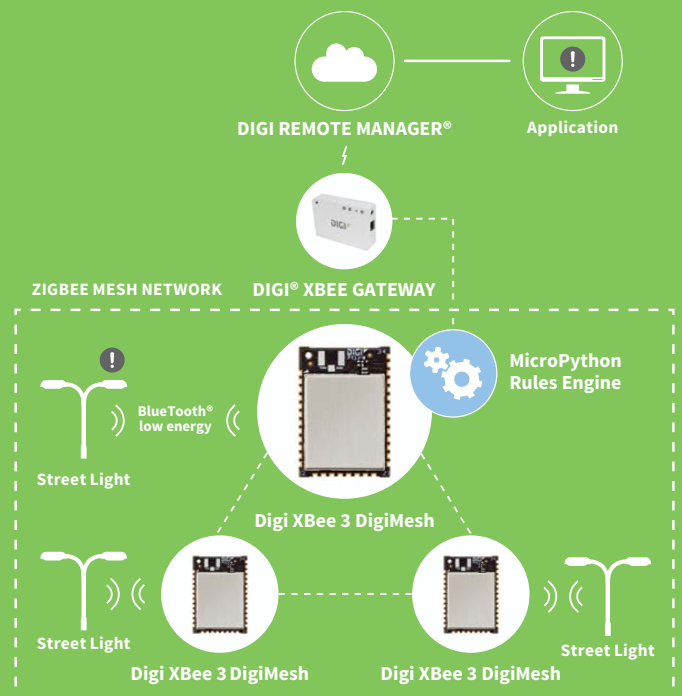
PROGRAMMABILITY

- Eliminate the need for an external microcontroller and create smart end nodes using MicroPython
- Bluetooth® Low Energy for beaconing, connecting to Bluetooth sensors and local configuration using the Digi XBee Mobile app

SECURITY

- Intrinsic IoT security with Digi TrustFence®, a layered approach securing the edge device, through the gateway, into and out of the IoT

APPLICATION EXAMPLE



RELATED PRODUCTS AND SERVICES



SPECIFICATIONS

Digi XBee 3 DigiMesh®

Digi XBee 3 DigiMesh® PRO

PERFORMANCE

DATA RATE	RF 250 Kbps, serial up to 1 Mbps	
INDOOR/URBAN RANGE*	Up to 60 m (200 ft)	Up to 90 m (300 ft)
OUTDOOR/RF LINE-OF-SIGHT RANGE*	Up to 1200 m (4000 ft)	Up to 3200 m (2 miles)
TRANSMIT POWER	+8 dBm	+19 dBm
RECEIVER SENSITIVITY (1% PER)	-103 dBm normal mode	

FEATURES

SERIAL DATA INTERFACE	UART, SPI, I ² C
CONFIGURATION METHOD	API or AT commands, local or over-the-air (OTA)
FREQUENCY BAND	ISM 2.4 GHz
FORM FACTOR	Micro
INTERFERENCE IMMUNITY	DSSS (Direct Sequence Spread Spectrum)
ADC INPUTS	(4) 10-bit ADC inputs
DIGITAL I/O	15
ANTENNA OPTIONS	Micro: U.FL Antenna, RF Pad, Chip Antenna
OPERATING TEMPERATURE	-40° C to 85° C (-40° F to 185° F)
DIMENSIONS (L X W X H)	Micro: 13 x 19 x 2 mm (0.533 x 0.76 x 0.087 in)

PROGRAMMABILITY

MEMORY	1 MB / 128 KB RAM
CPU/CLOCK SPEED	HCS08 / up to 50.33 MHz

NETWORKING AND SECURITY

PROTOCOL	802.15.4
ENCRYPTION	128/256 bit AES
RELIABLE PACKET DELIVERY	Retries/acknowledgements
IDS	PAN ID and addresses, cluster IDs and endpoints (optional)
CHANNELS	16 channels

POWER REQUIREMENTS

SUPPLY VOLTAGE	2.1 to 3.6 V
TRANSMIT CURRENT	135 mA @ 19 dBm
RECEIVE CURRENT	17 mA
POWER-DOWN CURRENT	2 micro Amp @ 25° C (77° F)

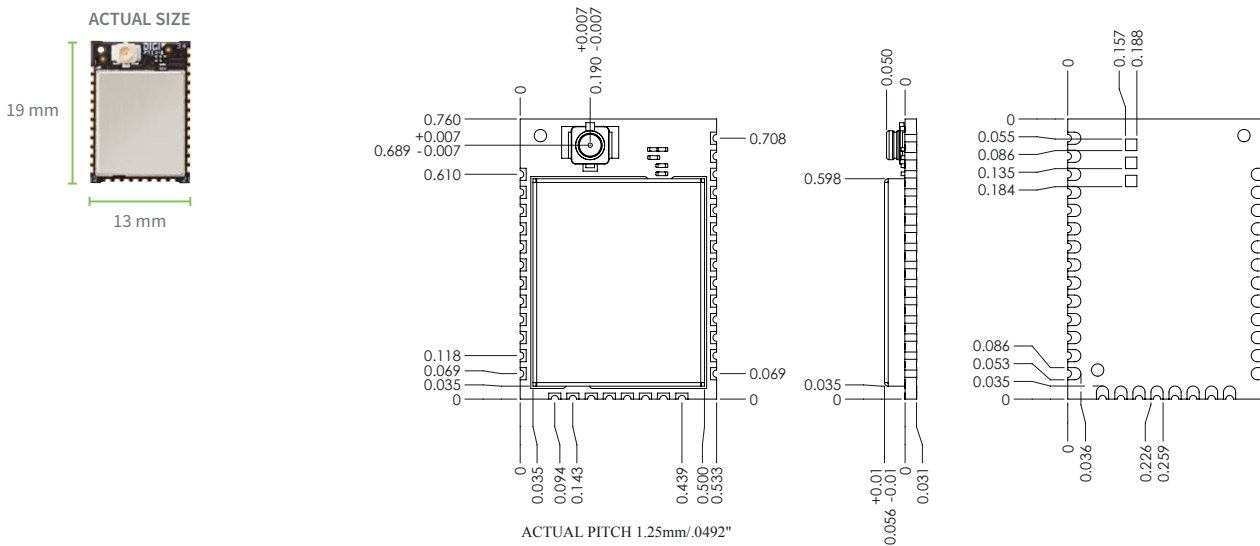
REGULATORY APPROVALS

FCC, IC (NORTH AMERICA)	Yes	Yes
ETSI (EUROPE)	Yes	No
RCM (AUSTRALIA)	Yes	Yes
ANATEL (BRAZIL)	Yes	Yes
TELECK MIC (JAPAN)	Yes	No
KCC (SOUTH KOREA)	Yes	Yes

*Range figure estimates are based on free-air terrain with limited sources of interference. Actual range will vary based on transmitting power, orientation of transmitter and receiver, height of transmitting antenna, height of receiving antenna, weather conditions, interference sources in the area, and terrain between receiver and transmitter, including indoor and outdoor structures such as walls, trees, buildings, hills, and mountains.

PART NUMBERS	DESCRIPTION
XB3-24DMRM-J	Digi XBee 3, 2.4 Ghz, DigiMesh, Micro, RF Pad Ant, MMT
XB3-24DMUM-J	Digi XBee 3, 2.4 Ghz, DigiMesh, Micro, U.FL Ant, MMT
XB3-24DMCM-J	Digi XBee 3, 2.4 Ghz, DigiMesh, Micro, Chip Ant, MMT
XB3-24DMRM	Digi XBee 3 PRO, 2.4 Ghz, DigiMesh, Micro, RF Pad Ant, MMT
XB3-24DMUM	Digi XBee 3 PRO, 2.4 Ghz, DigiMesh, Micro, U.FL Ant, MMT
XB3-24DMCM	Digi XBee 3 PRO, 2.4 Ghz, DigiMesh, Micro, Chip Ant, MMT
A24-HABUF-P5I	Antenna - 2.4 GHz, half wave dipole, 2.1 dBi, U.FL female, articulating
A24-HASM-450	Antenna - 2.4 GHz, half wave dipole, 2.1 dBi, RPSMA male, articulating
A24-HASM-525	Antenna - 2.4 GHz, half wave dipole, 2.1 dBi, RPSMA male, articulating
DC-ANT-24DT	Antenna - Wi-Fi, table-top mount, 2450 Mhz, 0.5 m cable

PRODUCT DIMENSIONS



**FOR MORE INFORMATION
PLEASE VISIT DIGI.COM**

DIGI SERVICE AND SUPPORT / You can purchase with confidence knowing that Digi is always available to serve you with expert technical support and our industry leading warranty. For detailed information visit www.digi.com/support.

© 1996-2020 Digi International Inc. All rights reserved.
All trademarks are the property of their respective owners.

91004233
A8/1120

DIGI INTERNATIONAL WORLDWIDE HQ
877-912-3444 / 952-912-3444 / www.digi.com

DIGI INTERNATIONAL GERMANY
+49-89-540-428-0

DIGI INTERNATIONAL JAPAN
+81-3-5428-0261 / www.digi-intl.co.jp

DIGI INTERNATIONAL SINGAPORE
+65-6213-5380

DIGI INTERNATIONAL CHINA
+86-21-50492199 / www.digi.com.cn



Mouser Electronics

Authorized Distributor

Click to View Pricing, Inventory, Delivery & Lifecycle Information:

DIGI:

[XB3-24DMCM-J](#) [XB3-24DMRM](#) [XB3-24DMUM-J](#) [XB3-24DMCM](#) [XB3-24DMUM](#) [XB3-24DMRM-J](#)