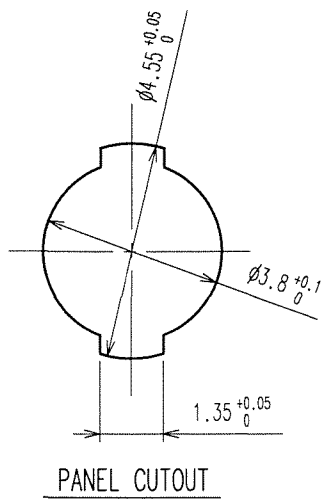
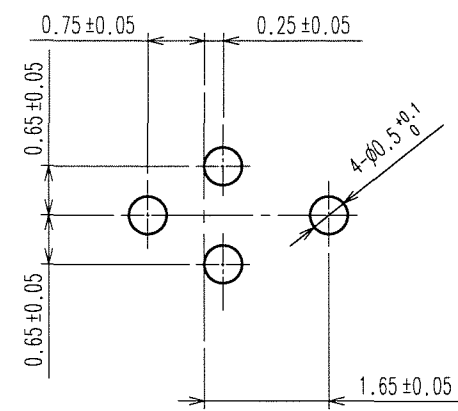
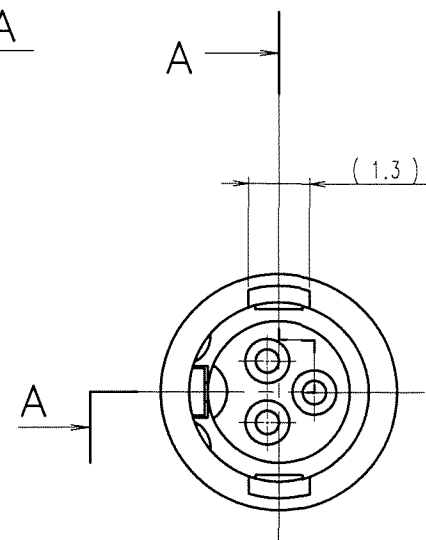
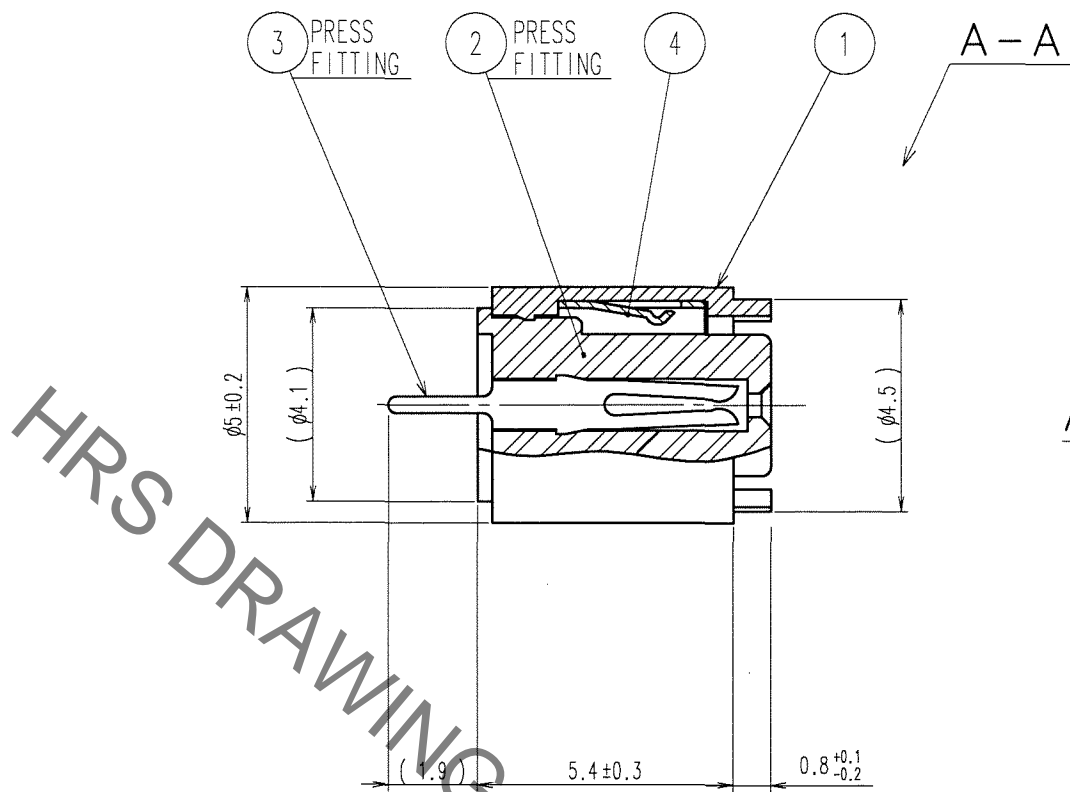
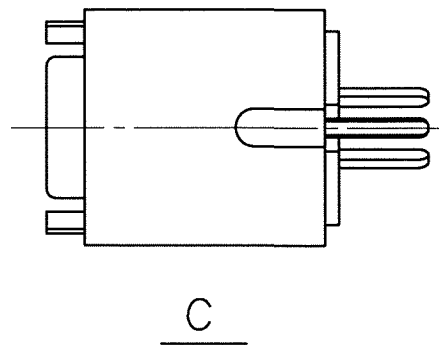
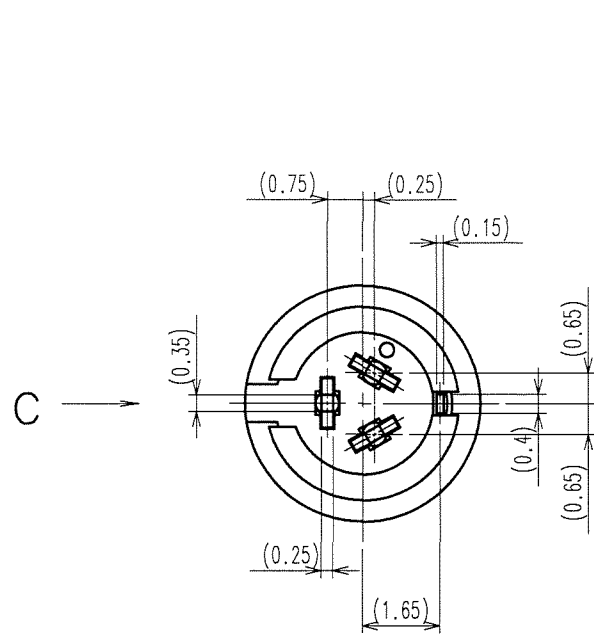


Jan.1.2022 Copyright 2022 HIROSE ELECTRIC CO., LTD. All Rights Reserved.
 In case of consideration for using Automotive equipment / device which demand high reliability, kindly contact our sales window correspondents.

COUNT	DESCRIPTION OF REVISIONS	BY	CHKD	DATE	COUNT	DESCRIPTION OF REVISIONS	BY	CHKD	DATE
△				..	△				..
△				..	△				..
△				..	△				..



HRS DRAWING FOR REFERENCE

2	POLYBUTYLENE TEREPHTHALATE (BLACK)	UL94V-0	4	PHOSPHOR BRONZE	TIN-LEAD PLATING
1	BRASS	NICKEL PLATING	3	PHOSPHOR BRONZE	SILVER PLATING 2μ m min.
NO.	MATERIAL	FINISH, REMARKS	NO.	MATERIAL	FINISH, REMARKS

CODE NO. (OLD)	DRAWN	DESIGNED	CHECKED	APPROVED	RELEASED
CL	<i>S. Komatsu</i>	<i>S. Komatsu</i>	<i>E. Kunita</i>	<i>M. Sato</i>	
	06.09.25	06.04.25	06.09.25	06.09.25	..

DRAWING NO. EDC3-045334-71 SCALE 5 : 1 UNITS mm	PART NO. SR38-4R-3S(71) CODE NO. CL103-0373-5-71	1/1
--	---	-----

TO
R

Mouser Electronics

Authorized Distributor

Click to View Pricing, Inventory, Delivery & Lifecycle Information:

[Hirose Electric:](#)

[SR38-4R-3S\(71\)](#)