

TECHNICAL CHARACTERISTICS

MATERIAL
 INSULATOR: NYLON 9T
 FLAMMABILITY RATING: UL94-V0
 COLOR: BEIGE
 CONTACT MATERIAL: COPPER ALLOY
 CONTACT TYPE: STAMPED
 CONTACT PLATING: TIN
 QUALITY CLASS: 25 MATING CYCLES
 PITCH: 2.00 MM

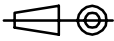

ENVIRONMENTAL
 OPERATING TEMPERATURE: -25 UP TO 85°C
 COMPLIANCE: LEAD FREE AND ROHS

ELECTRICAL
 CURRENT RATING: 2 A
 WORKING VOLTAGE: 100 VAC
 INSULATOR RESISTANCE: >1000 MOHM
 DIELECTRIC WITHSTANDING VOLTAGE: 800 VAC/MN
 CONTACT RESISTANCE: 20 mOHM MAX

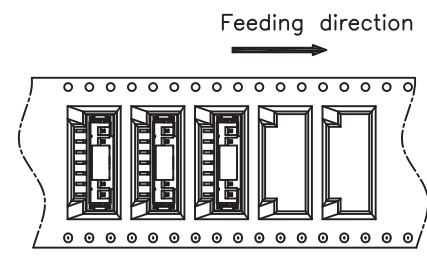
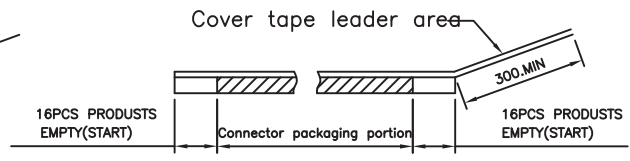
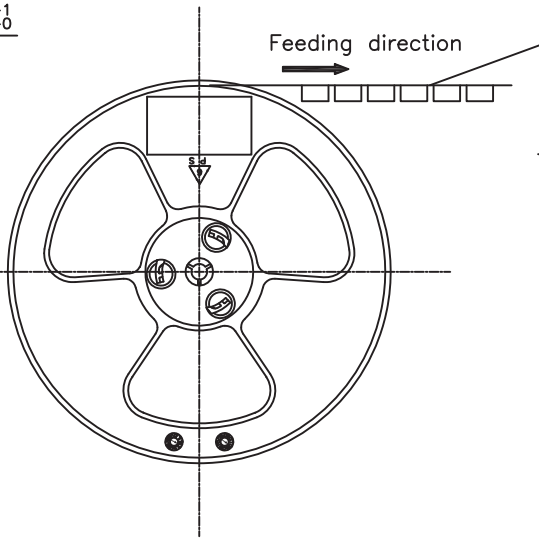
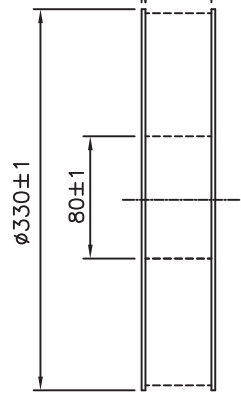
STANDARD
 IEC 60320-1 CERTIFIED: E323964

SOLDERING
 JEDEC LEAD FREE REFLOW SOLDERING PROCESS

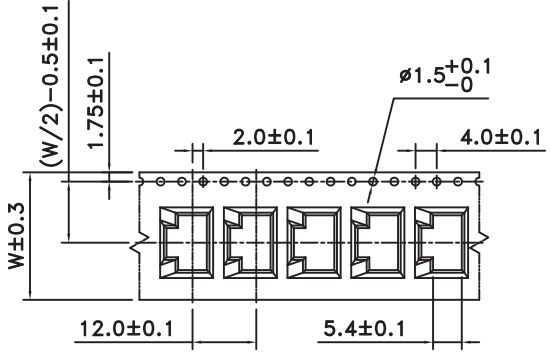
PACKAGING
 TAPE AND REEL WITH CAP

				PROJECTION: 	GENERAL TOLERANCE .X = +/- 0.2 .XX = +/- 0.15		DESCRIPTION: 2.00 MM SMT MALE VERTICAL SHROUDED HEADER WERI PART NO: 620 3xx 124 022	SIZE A4
J	01-FEV-18	CORRECTION PCN	AK	APPROVAL: BBU	UNIT: MM			
I	22-DEC-17	PCN	AK		SCALE:			
H	30-AUG-16	TPK	AK		SHEET: 1/4			
REV	DATE	FILE	BY		DRAW:			

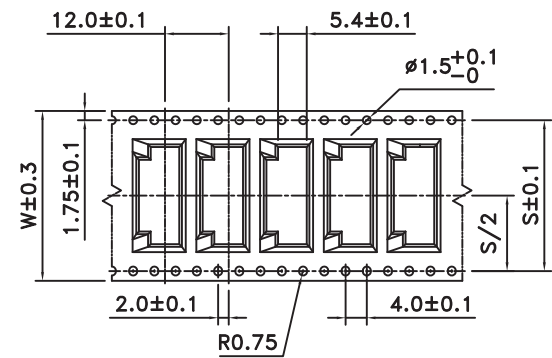
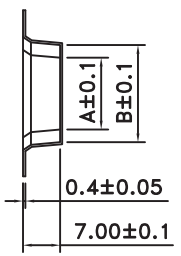
2.0±0.2 W+0.5⁺¹₋₀



- Note:
 • Q' ty : 750 Pcs / Reel
 • Length: ≥10.3m/Reel



Poles at 2~6



Poles at 7~16

Poles	Dimensions(mm)			
	S	W	A	B
2			3.55	8.4
3			5.55	10.4
4		24.0	7.55	12.4
5			9.55	14.4
6			11.5	16.4
7	28.4	32.0	13.5	18.4
8			15.5	20.4
9			17.5	22.4
10			19.5	24.4
11	40.4	44.0	21.5	26.4
12			23.5	28.4
13			25.5	30.4
14			27.5	32.4
15	52.4	56.0	29.5	34.4
16			31.5	36.4

G			
F			
E			
D			
C			
B			
A			
REV	DATE	FILE	BY

PROJECTION:

GENERAL TOLERANCE
 .X = +/_ 0.2
 .XX = +/_ 0.15

APPROVAL: BBU

UNIT: MM
 SCALE:
 SHEET: 2/4
 DRAW : AK

DESCRIPTION: 2.00 MM SMT MALE VERTICAL SHROUDED HEADER

WERI PART NO: 620 3xx 124 022

SIZE
A4

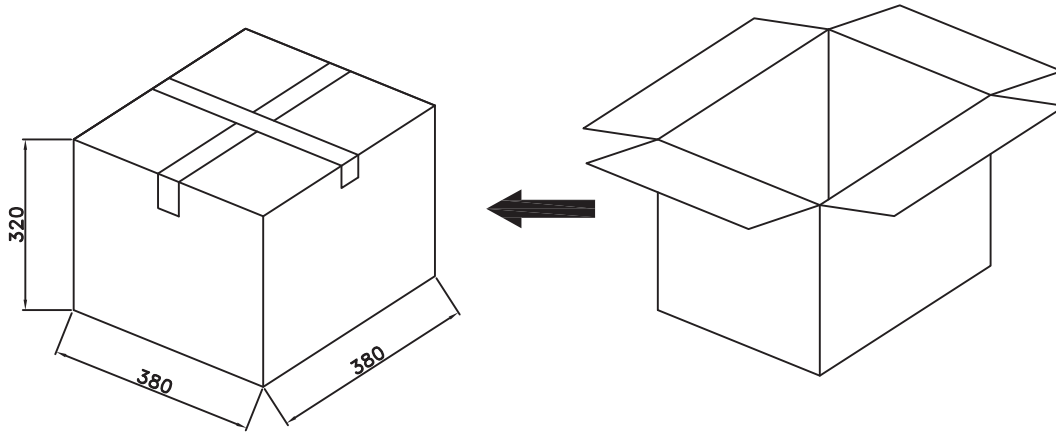
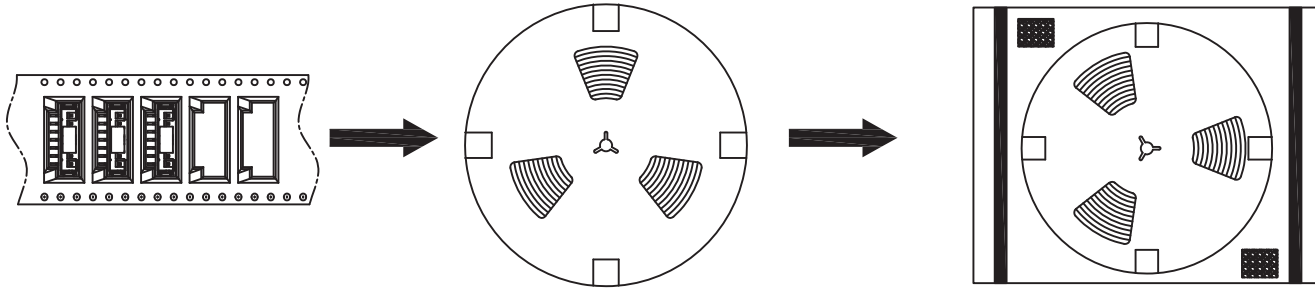
1

2

3

4

5



Poles	Reel Quantity (pcs)	Reels/Box	CARTON Quantity (pcs)
2	750	10	7500
3			
4			
5			
6		8	6000
7			
8		6	4500
9			
10			
11			
12			
13			
14		4	3000
15			
16			

G			
F			
E			
D			
C			
B			
A			
REV	DATE	FILE	BY

PROJECTION:	GENERAL TOLERANCE
	.X = +/- 0.2
	.XX = +/- 0.15
APPROVAL: BBu	UNIT: MM
	SCALE:
	SHEET: 3/4
	DRAW : AK

	DESCRIPTION: 2.00 MM SMT MALE VERTICAL SHROUDED HEADER
WÜRTH ELEKTRONIK	WERI PART NO: 620 3xx 124 022

SIZE
A4

A

B

C

D

1

2

3

4

5

Cautions and Warnings:

This electronic component is designed and developed with the intention for use in general electronics equipments.

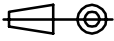

Before incorporating the components into any equipments in the field such as aerospace, aviation, nuclear control, submarine, transportation, (automotive control, train control, ship control), transportation signal, disaster prevention, medical, public information network etc. where higher safety and reliability are especially required or if there is possibility of direct damage or injury to human body, Würth Elektronik must be asked for a written approval.

In addition, even electronic component in general electronic equipments, when used in electrical circuits that require high safety, reliability functions or performance, the sufficient reliability evaluation-check for the safety must be performed before by the user before usage.

A

B

C

RoHS Compliant				PROJECTION: 	GENERAL TOLERANCE .X = +/- 0.2 .XX = +/- 0.15		DESCRIPTION: DISCLAIMER	SIZE A4
G								
F								
E								
D								
C				APPROVAL: JC	UNIT: MM	WERI PART NO: DISCLAIMER	SIZE A4	
B				SCALE:				
A	10-SEP-14	PDF	QL	SHEET: 4/4				
REV	DATE	FILE	BY	DRAW: QL				

D

Mouser Electronics

Authorized Distributor

Click to View Pricing, Inventory, Delivery & Lifecycle Information:

[Wurth Elektronik:](#)

[620304124022](#)