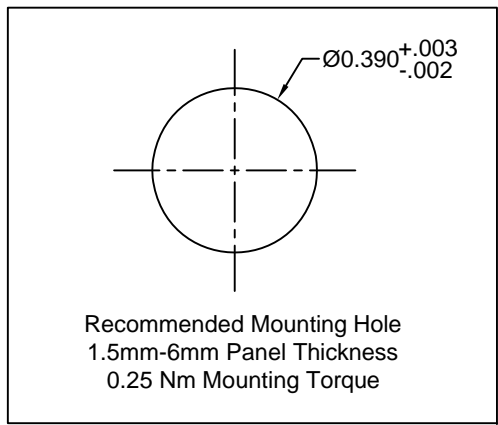
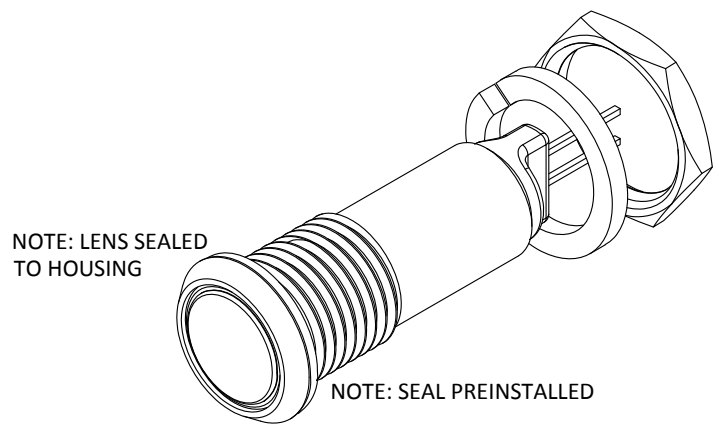
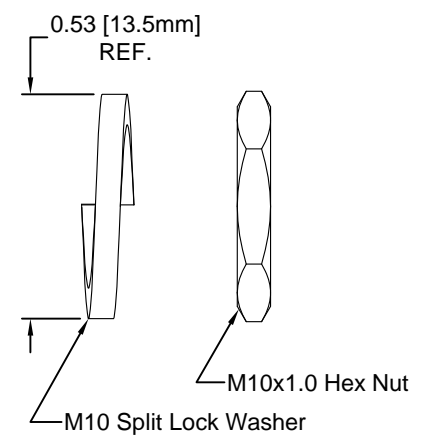
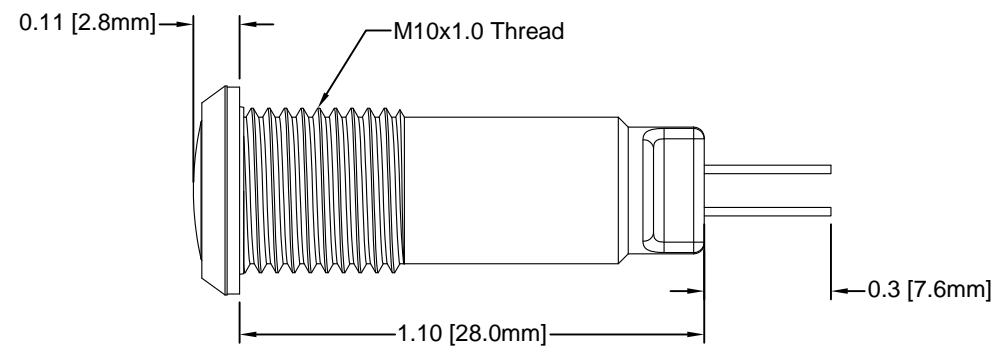
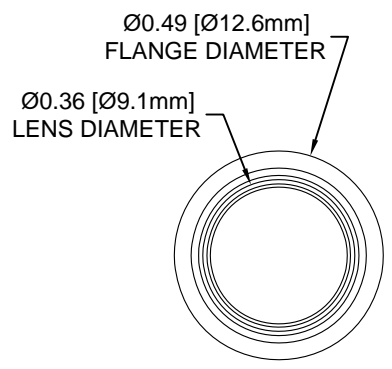


REV.	DESCRIPTION	DATE	APPROVED
A	Engineering Release	04/29/14	J. C.
B	Updated LED Optical Characteristics	09/15/15	J. C.



EXAMPLE:
PM5-PRGD
 LED Color Series

- NOTES:**
1. SEALED TO IP67 RATING
 2. ROHS COMPLIANT
 3. MOUNTING HARDWARE SHIPPED NON-ASSEMBLED
 4. BIPOLAR OPERATION
 5. WIDE RANGE VOLTAGE INPUT, SEE SHEET #2

STANDARD TOLERANCE (UNLESS OTHERWISE SPECIFIED)		 4 THOMAS, IRVINE, CA. 92618 TEL: (949) 951-8808 FAX: (949) 951-3974	
DECIMALS	ANGULAR		
.X ± .1	X° ± 1°	 TITLE: IP67 Rated Panel Mount Indicator	REVISION: B
.XX ± .02			
.XXX ± .010		DESIGNED: Alex Wright	DATE: 03/24/14
CHECKED: Brian Oliver		DATE: 03/24/14	PART NO: PM5-PRXXX
		CAGE CODE : 32559	SHEET # 1 OF 2
CAD GENERATED DOCUMENT. DO NOT MEASURE DRAWING.			


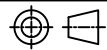
REV.	DESCRIPTION	DATE	APPROVED
	SEE SHEET #1		

Assembly Part Number	LED Part Number	Peak Wave Length λ_p (nm)	Emitted Color	Electro-Optical Data @ 20mA		Viewing Angle
				Typ Vf (VAC/VDC)	Assembly Iv (mcd)	
				TYP	TYP	
PM5-PRAD	5AD	605	AMBER	8-48	9	120
PM5-PRBWD	5BWD0.345	430	BLUE	8-48	350	120
PM5-PRGD	5SGD	568	GREEN	8-48	11	120
PM5-PRRD	5SRD	645	RED	8-48	14	120
PM5-PRYD	5SYD	590	YELLOW	8-48	105	120

Assembly Part Number	LED Part Number	Color Temperature	Emitted Color	Electro-Optical Data @ 20mA		Viewing Angle
				Typ Vf (VAC/VDC)	Assembly Iv (mcd)	
				TYP	TYP	
PM5-PRWD	5UWD0.660N	5000K	NEUTRAL WHITE	8-48	394	120

ABSOLUTE MAXIMUM RATINGS (Ta = 25°C)

MAXIMUM POWER DISSIPATION _____ 400 mW
 OPERATING TEMPERATURE RANGE _____ -30°C ~ 85°C
 STORAGE TEMPERATURE _____ -40°C ~ 85°C

STANDARD TOLERANCE (UNLESS OTHERWISE SPECIFIED) DECIMALS ANGULAR		 4 THOMAS, IRVINE, CA. 92618 TEL: (949) 951-8808 FAX: (949) 951-3974	
			
DESIGNED: Alex Wright	DATE: 03/24/14	TITLE: IP67 Rated Panel Mount Indicator	REVISION: B
CHECKED: Brian Oliver	DATE: 03/24/14	PART NO: PM5-PRXXX	CAGE CODE : 32559 SHEET # 2 OF 2
CAD GENERATED DOCUMENT. DO NOT MEASURE DRAWING.			

Mouser Electronics

Authorized Distributor

Click to View Pricing, Inventory, Delivery & Lifecycle Information:

[BIVAR:](#)

[PM5-PRGD](#) [PM5-PRRD](#) [PM5-PRBWD](#) [PM5-PRWD](#) [PM5-PRAD](#) [PM5-PRYD](#)