

**SERIES:** ACZ16 | **DESCRIPTION:** MECHANICAL INCREMENTAL ENCODER**ELECTRICAL SPECIFICATIONS**

parameter	conditions/description
output waveform	square wave
output signals	A, B phase
current consumption	0.5 mA
output phase difference	T1, T2, T3, T4 $\geq$ 3.5 ms @ 60 rpm (see output waveform)
supply voltage	5 V dc max.
output resolution	12, 24 ppr
insulation resistance	50 V dc, 100 M $\Omega$
withstand voltage	50 V ac

**MECHANICAL SPECIFICATIONS**

parameter	conditions/description	min	nom	max	units
shaft load	axial			7	kgf
rotational torque	with detent click without detent click	50 90		130 210	gf•cm gf•cm
rotational life				100,000	cycles

**ENVIRONMENTAL SPECIFICATIONS**

parameter	conditions/description	min	nom	max	units
operating temperature		-10		65	°C
storage temperature		-40		75	°C
humidity		85			% RH
vibration	0.75 mm max. travel for 2 hours	10		55	Hz

- Notes:
1. It is recommended to use products within 6 months.
  2. For storage conditions, it is recommended to keep away from direct sunlight, corrosive gas, or high humidity conditions.
  3. Use the product as soon as possible once the plastic bag has been unsealed, and reseal the bag if product is not immediately used.
  4. The products are packaged in sealed bags with anti humidity tablets.

**PART NUMBER KEY****ACZ16 X BR X E- XX XX X1- XXX**

Version:  
"blank" = switch (momentary)  
N = no switch

Shaft length:  
15, 20, 25

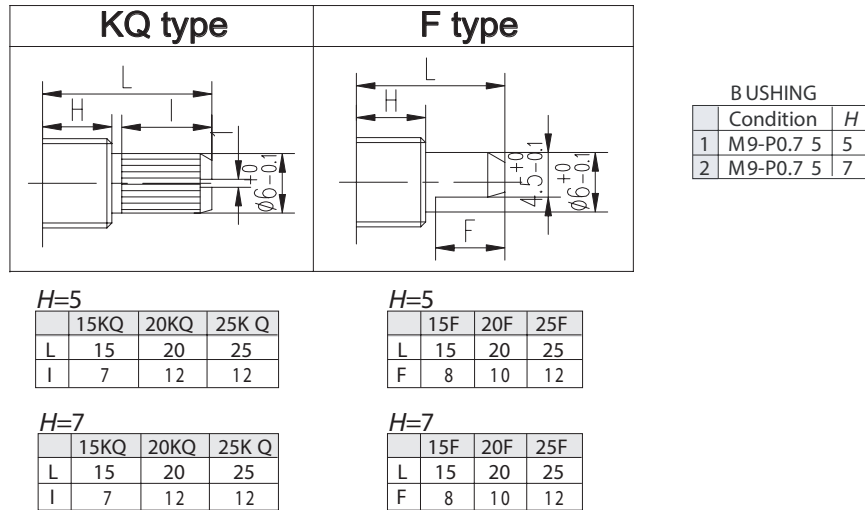
Bushing:  
1 = M9 x 0.75 (H = 5)  
2 = M9 x 0.75 (H = 7)

Shaft  
type:  
KQ, F

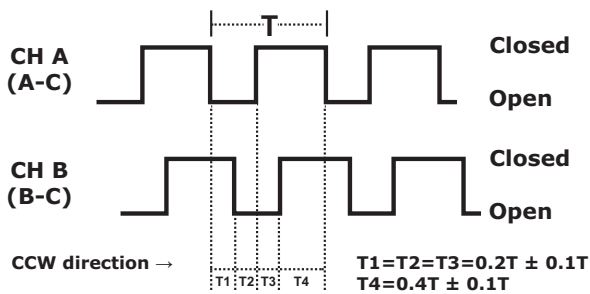
Mounting orientation:  
A = Horizontal  
D = Vertical

Resolution (ppr):  
12 = 12 ppr, no detent  
12C = 12 ppr, 12 detent  
24 = 24 ppr, no detent  
24C = 24 ppr, 24 detent

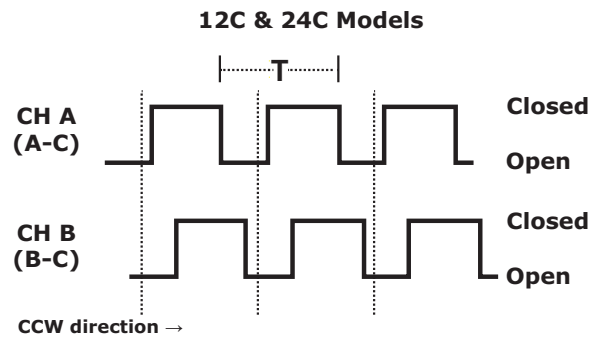
## SHAFT OPTIONS



## OUTPUT WAVEFORM

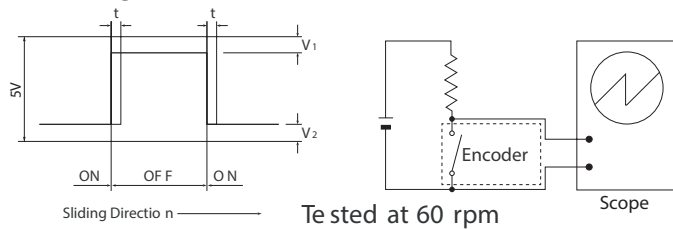


## DETENT POSITIONS

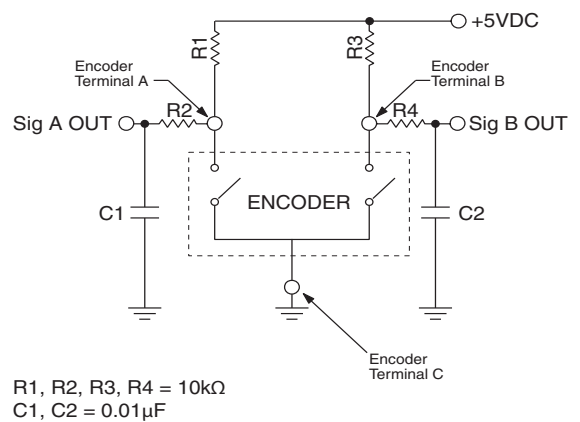


## SLIDING NOISE

$t$  = Masking time to avoid chatter (5mS)  $V_1 = V_2 = 1V$  max.

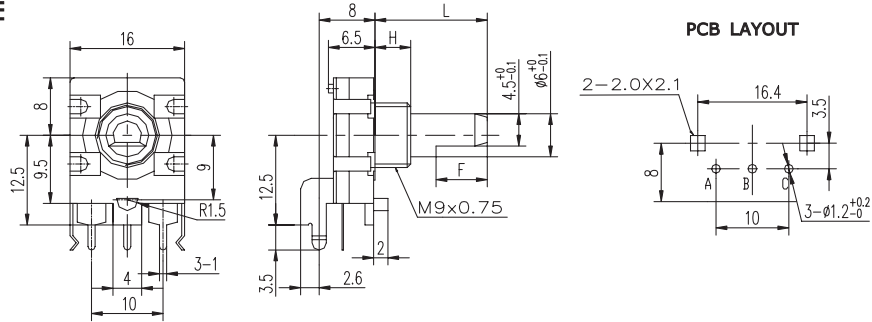


## SUGGESTED FILTER

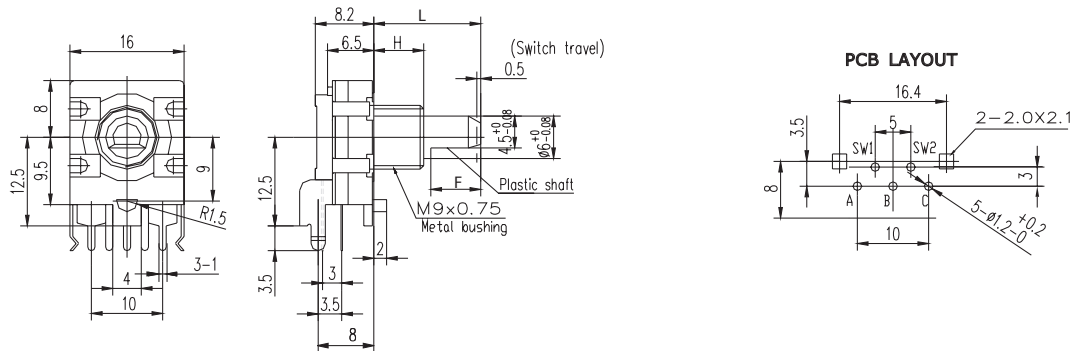


## MECHANICAL DRAWING (horizontal)

ACZ16NBRXE

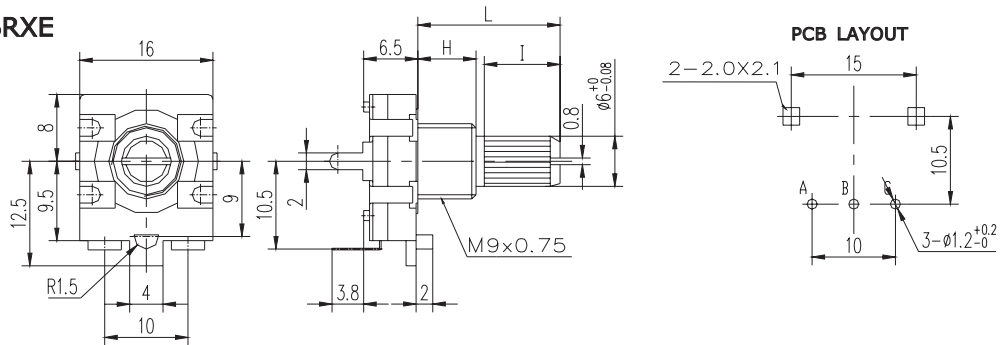


ACZ16BRXE

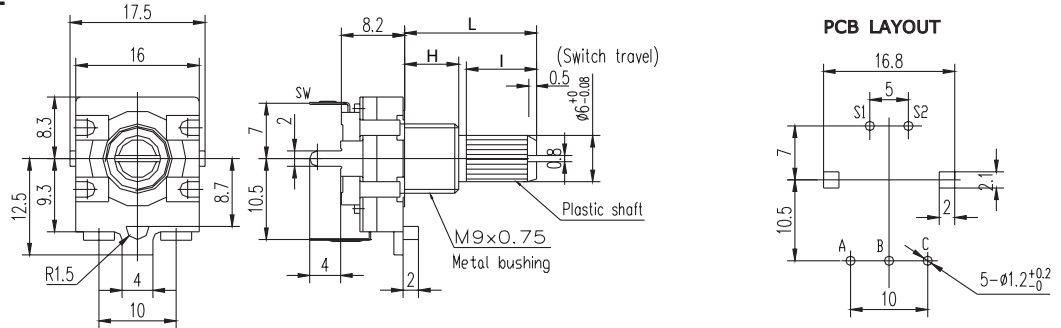


## MECHANICAL DRAWING (vertical)

ACZ16NBRXE



ACZ16BRXE



## REVISION HISTORY

---

rev.	description	date
1.0	initial release	10/30/2009
1.01	added storage details	12/04/2014
1.02	brand update	10/04/2019
1.03	updated datasheet	06/15/2020
1.04	updated drawings	07/14/2020

The revision history provided is for informational purposes only and is believed to be accurate.

---

# CUI DEVICES

CUI Devices offers a one (1) year limited warranty. Complete warranty information is listed on our website.

CUI Devices reserves the right to make changes to the product at any time without notice. Information provided by CUI Devices is believed to be accurate and reliable. However, no responsibility is assumed by CUI Devices for its use, nor for any infringements of patents or other rights of third parties which may result from its use.

CUI Devices products are not authorized or warranted for use as critical components in equipment that requires an extremely high level of reliability. A critical component is any component of a life support device or system whose failure to perform can be reasonably expected to cause the failure of the life support device or system, or to affect its safety or effectiveness.

# Mouser Electronics

Authorized Distributor

Click to View Pricing, Inventory, Delivery & Lifecycle Information:

## CUI Devices:

[ACZ16BR1E-15KQD1-20C](#) [ACZ16BR1E-15FA1-20C](#) [ACZ16BR1E-20FD1-20C](#) [ACZ16BR1E-20FA1-20C](#)  
[ACZ16BR1E-20KQD1-20C](#) [ACZ16BR1E-15FD1-20C](#) [ACZ16BR1E-20KQD1-24C](#) [ACZ16BR1E-15FA1-24C](#)  
[ACZ16BR1E-15KQD1-24C](#) [ACZ16BR1E-15FD1-24C](#) [ACZ16BR1E-20FD1-24C](#) [ACZ16BR1E-20FA1-24C](#)