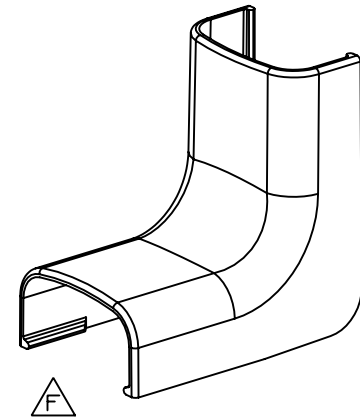
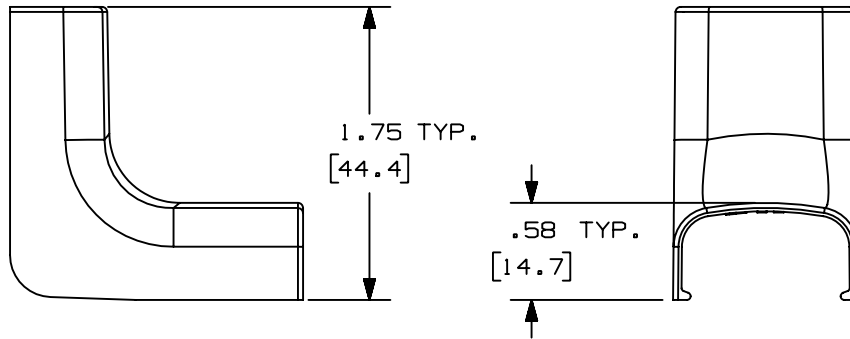
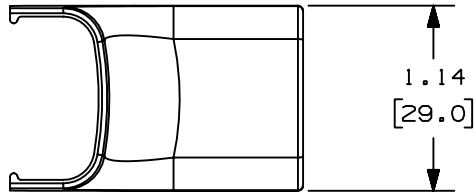


THIS COPY IS PROVIDED ON A RESTRICTED BASIS AND IS NOT TO BE USED IN ANY WAY DETRIMENTAL TO THE INTERESTS OF PANDUIT CORP.



$\triangle B$	PANDUIT P/N	WEIGHT
$\triangle C$	ICF5	0.97 LB/100 PCS. (440g/100 PCS.)

$\triangle D$  NOTES:

1. SEE CURRENT CATALOG FOR ADDITIONAL PART NUMBER SUFFIXES TO INDICATE COLOR AND OR PACKAGE QUANTITY.
2. DIMENSIONS IN PARENTHESIS ARE IN METRIC.

CAD FILENAME/LAYERS D34474BD\_DC\_ICF5\_01.prt

6	7-3-02	JHN/URMHI	F. REVISED MATERIAL IN DRAWING TITLE BLOCK.	16864	RGRD	RGRD		
5	8-28-00	MSO/HIW	E. REVISED AND REDRAWN ON CAD.	16864	HIW	HIW		
4	10-3-91	DW/CF	D. REVISED NOTE AND REMOVED COLOR FROM DRAWING.	16864		CF		
3	2-28-91	DW/CF	C. REVISED COLORS: OMIT BG, LI, LG. ADDED INT. WHITE AND INT. GRAY.	16864		WJB		
2	12-2-87	LDB/WJB	B. ADDED PART NUMBERS ICF5E1 AND ICF5L1.	16864		WJB		
1	5-14-82	KJS/JK	A. POLYSTYRENE WAS ABS.			JAK		
R	9-14-81	KJS/HP	DRAWING RELEASED			HP		
REV	DATE	BY	CHK	DESCRIPTION	ECN	R	CUST	SUP

<p>PANDUIT CORP. TINLEY PARK, ILLINOIS</p> <p>INSIDE CORNER FITTING (ICF5)</p> <p>CUSTOMER DRAWING</p>		<p>UNLESS OTHERWISE SPECIFIED, DIMENSIONAL TOLERANCES ARE:</p> <p>(.X) ± (.XXX) ±</p> <p>(.XX) ± .03 (.8) ANGLES ±</p>		<p>UNLESS OTHERWISE SPECIFIED, ALL DIMENSIONS ARE GIVEN IN INCHES, THIRD ANGLE PROJECTION.</p>	
		<p>DRAWN BY KJS</p> <p>DATE 9-2-81</p> <p>CHK'D JK</p>	<p>MAT'L:</p> <p>ABS <math>\triangle F</math></p> <p><math>\triangle A</math></p>	<p>SCALE FULL</p>	<p>DRAWING NO. SS-16864</p> <p>DWG SIZE A</p>

# Mouser Electronics

Authorized Distributor

Click to View Pricing, Inventory, Delivery & Lifecycle Information:

Panduit:

[ICF5IG-E](#) [ICF5WH-E](#) [ICF5IW-E](#) [ICF5EI-E](#)