

<b>GlobTek, Inc.</b> <b>www.globtek.com</b> <b>186 Veterans Drive,</b> <b>Northvale, NJ 07647</b> <b>Tel. (201) 784-1000</b> <b>Fax (201) 784-0111</b>	Drawing Title: GTM96300-2307.5-T3, Medical/ICT/ITE/Household use Power Supply, Efficiency Level: USA DOE Level VI / Eco-design Directive 2009/125/EC, (EU) 2019/1782, Case Color/Style: GlobTek Black, Desktop/External, Regulated Switchmode AC-DC Power Supply AC Adaptor, Input Rating: 100-240V~, 50-60 Hz, IEC 60320/C14 , Output Rating: 22.5W, 7.5V@3.0A, Output Configuration: 1200 mm, 16/2 Cond, Round Black, T-plug system (includes 5.5x2.5, 5.5x2.1, 3.5x1.3mm plugs in each kit), Ferrite: None, GlobTek Black, GT Cord # C4257, Pin Out: Polarity Configuration T00 All plugs are Medical Grade, Locking, Polarized once installed, and single use only. Product demonstration link: <a href="https://en.globtek.com/news/t00-changeable-output-plug-system-for-power-supplies">https://en.globtek.com/news/t00-changeable-output-plug-system-for-power-supplies</a> MOLDED CONNECTORS AVAILABLE, Blades/Input Cord: Not Applicable, Approvals: CCC (up to 48V only); LPS 60950; CAN ICES-3; CB 62368; CB 60950; ETL 1310; ETL; ETL; 230V CoC Tier 2; EAC; UKCA; LPS 62368; GEMS (12V); UL 1310; cETLus 62368-1; ETL 62368; Morocco; S-Mark 62368; Korea (5V Only) pending; India BIS 5V (pending); Taiwan BSMI(5V only) pending; IRAM; South Africa (pending); South Africa (pending); S-Mark 60950; RCM; CE; CE; CB 60335; S-Mark IEC/EN 60601-1; WEEE; VCCI; Ukraine; RoHS; Level VI; China RoHS; CE; PSE; PSE; PSE; CB 60601-1;	
	Model No. GTM96300-2307.5-T3	
	Part No./Ordering No. TR9CC3000T00IMR6B	Rev B

## REVISION HISTORY

REV	DESCRIPTION	SUB	DATE	APPROVED
B	Update Grounding configuration to F2		11/29/2018	QA
A	Initial release		05/18/2018	QA

In Addition to GlobTek Inc.'s renewed ISO9001:2015 - Quality Management System Certification, GlobTek Inc. is now certified to:

ISO13485:2016 - Medical Devices Quality Management System Certification  
ISO14001:2015 - Environmental Management System Certification

ISO Certificates are available online at <https://www.globtek.com/iso-certificates/>

### Customer Approval of Specification:

Please approve, sign and send back to GlobTek so we can complete order processing.

A delay in receipt of this form will delay delivery schedule.

Company Name:

Customer P/N:

Quote Number:

Date:

Authorized Representative Name:

Authorized Representative Signature:

The acceptance of this specification and use of the product described in this document indicates the acceptance and binding of the customer to Globtek terms and conditions, which supersede all other agreements, terms, and conditions (<https://en.globtek.com/terms-and-conditions/>).

The purchaser of this product (Customer) agrees that it is their sole responsibility to determine suitability/fitness of the product described in this specification for their application and to take precautions for protection against any hazards attendant to the handling and use of the product.

### Footnote:

GlobTek Inc. will not be liable for the safety and performance of these power supplies if unauthorized access and repair occurs. End user should consult applicable UL, CSA or EN standards for proper installation instruction.

### Limitation of Use:

GlobTek products are intended for use with commercial, medical, and/or industrial equipment only. GlobTek product are not authorized for use as mission critical components in life support hazardous environment, nuclear or aircraft applications without prior written approval from the CEO of GlobTek Inc.

Contents of this document are subject to change without prior notice.

<b>GlobTek, Inc.</b> www.globtek.com 186 Veterans Drive, Northvale, NJ 07647 Tel. (201) 784-1000 Fax (201) 784-0111	Drawing Title: GTM96300-2307.5-T3, Medical/ICT/ITE/Household use Power Supply, Efficiency Level: USA DOE Level VI / Eco-design Directive 2009/125/EC, (EU) 2019/1782, Case Color/Style: GlobTek Black, Desktop/External, Regulated Switchmode AC-DC Power Supply AC Adaptor, Input Rating: 100-240V~, 50-60 Hz, IEC 60320/C14 , Output Rating: 22.5W, 7.5V@3.0A, Output Configuration: 1200 mm, 16/2 Cond, Round Black, T-plug system (includes 5.5x2.5, 5.5x2.1, 3.5x1.3mm plugs in each kit), Ferrite: None, GlobTek Black, GT Cord # C4257, Pin Out: Polarity Configuration T00 All plugs are Medical Grade, Locking, Polarized once installed, and single use only. Product demonstration link: <a href="https://en.globtek.com/news/t00-changeable-output-plug-system-for-power-supplies">https://en.globtek.com/news/t00-changeable-output-plug-system-for-power-supplies</a> MOLDED CONNECTORS AVAILABLE, Blades/Input Cord: Not Applicable, Approvals: CCC (up to 48V only); LPS 60950; CAN ICES-3; CB 62368; CB 60950; ETL 1310; ETL; ETL; 230V CoC Tier 2; EAC; UKCA; LPS 62368; GEMS (12V); UL 1310; cETLus 62368-1; ETL 62368; Morocco; S-Mark 62368; Korea (5V Only) pending; India BIS 5V (pending); Taiwan BSMI(5V only) pending; IRAM; South Africa (pending); South Africa (pending); S-Mark 60950; RCM; CE; CE; CB 60335; S-Mark IEC/EN 60601-1; WEEE; VCCI; Ukraine; RoHS; Level VI; China RoHS; CE; PSE; PSE; PSE; CB 60601-1;	
	Model No. GTM96300-2307.5-T3	
	Part No./Ordering No. TR9CC3000T00IMR6B	Rev B

POWER SUPPLY INFORMATION	
TYPE:	Desktop/External
TECHNOLOGY:	Regulated Switchmode AC-DC Power Supply AC Adaptor
CASE COLOR:	GlobTek Black
NAMEPLATE RATED INPUT:	100-240V~, 50-60 Hz, 1A
INPUT CONFIG:	IEC 60320/C14
WATTS:	22.5
VOLTS OUT:	7.5
CURRENT OUT (Amps):	3.0
BLADE/CORD INCLUDED:	N/A Not Applicable
BLADE/CORD INSTALLED:	N/A :Not Applicable
INGRESS PROTECTION:	IP42, IP54 Option available
GROUNDING CONFIGURATION:	(F2) Isolated Functional Earth for GTM96 series, Improved EMC
EFFICIENCY LEVEL:	<a href="#">USA DOE Level VI</a> / <a href="#">Eco-design Directive 2009/125/EC</a> , ( <a href="#">EU 2019/1782</a> ) - <a href="#">Europe Code of Conduct on Energy Efficiency of External Power Supplies - Version 5</a>
OUTPUT CONFIGURATION:	1200 mm, 16/2 Cond, Round Black, T-plug system (includes 5.5x2.5, 5.5x2.1, 3.5x1.3mm plugs in each kit), Ferrite: None, GlobTek Black, GT Cord # C4257
OVERMOLDED:	Yes
OUTPUT CONNECTOR GENDER:	not applicable
CONNECTOR PIN OUT:	Polarity Configuration T00 All plugs are Medical Grade, Locking, Polarized once installed, and single use only. Product demonstration link: <a href="https://en.globtek.com/news/t00-changeable-output-plug-system-for-power-supplies">https://en.globtek.com/news/t00-changeable-output-plug-system-for-power-supplies</a> MOLDED CONNECTORS AVAILABLE
LABEL SPECS:	Standard GT,L-1186
SPECIAL BARCODE LABEL MATERIAL:	No
PACK SPEC:	Cell packing for DT plug model with T00 plug and manual
USER MANUAL:	809-DESKTOPUSERMANUAL on A4 paper

<b>GlobTek, Inc.</b> <b>www.globtek.com</b> <b>186 Veterans Drive,</b> <b>Northvale, NJ 07647</b> <b>Tel. (201) 784-1000</b> <b>Fax (201) 784-0111</b>	Drawing Title: GTM96300-2307.5-T3, Medical/ICT/ITE/Household use Power Supply, Efficiency Level: USA DOE Level VI / Eco-design Directive 2009/125/EC, (EU) 2019/1782, Case Color/Style: GlobTek Black, Desktop/External, Regulated Switchmode AC-DC Power Supply AC Adaptor, Input Rating: 100-240V~, 50-60 Hz, IEC 60320/C14 , Output Rating: 22.5W, 7.5V@3.0A, Output Configuration: 1200 mm, 16/2 Cond, Round Black, T-plug system (includes 5.5x2.5, 5.5x2.1, 3.5x1.3mm plugs in each kit), Ferrite: None, GlobTek Black, GT Cord # C4257, Pin Out: Polarity Configuration T00 All plugs are Medical Grade, Locking, Polarized once installed, and single use only. Product demonstration link: <a href="https://en.globtek.com/news/t00-changeable-output-plug-system-for-power-supplies">https://en.globtek.com/news/t00-changeable-output-plug-system-for-power-supplies</a> MOLDED CONNECTORS AVAILABLE, Blades/Input Cord: Not Applicable, Approvals: CCC (up to 48V only); LPS 60950; CAN ICES-3; CB 62368; CB 60950; ETL 1310; ETL; ETL; 230V CoC Tier 2; EAC; UKCA; LPS 62368; GEMS (12V); UL 1310; cETLus 62368-1; ETL 62368; Morocco; S-Mark 62368; Korea (5V Only) pending; India BIS 5V (pending); Taiwan BSMI(5V only) pending; IRAM; South Africa (pending); South Africa (pending); S-Mark 60950; RCM; CE; CE; CB 60335; S-Mark IEC/EN 60601-1; WEEE; VCCI; Ukraine; RoHS; Level VI; China RoHS; CE; PSE; PSE; PSE; CB 60601-1;	
	Model No. GTM96300-2307.5-T3	
	Part No./Ordering No. TR9CC3000T00IMR6B	Rev B

Notes/Modifications/Customizations (notes in this section supersede the values shown in the standard spec):

DIMENSIONS ARE IN MM UNLESS SPECIFIED OTHERWISE.

<b>GlobTek, Inc.</b> www.globtek.com 186 Veterans Drive, Northvale, NJ 07647 Tel. (201) 784-1000 Fax (201) 784-0111	Drawing Title: GTM96300-2307.5-T3, Medical/ICT/ITE/Household use Power Supply, Efficiency Level: USA DOE Level VI / Eco-design Directive 2009/125/EC, (EU) 2019/1782, Case Color/Style: GlobTek Black, Desktop/External, Regulated Switchmode AC-DC Power Supply AC Adaptor, Input Rating: 100-240V~, 50-60 Hz, IEC 60320/C14, Output Rating: 22.5W, 7.5V@3.0A, Output Configuration: 1200 mm, 16/2 Cond, Round Black, T-plug system (includes 5.5x2.5, 5.5x2.1, 3.5x1.3mm plugs in each kit), Ferrite: None, GlobTek Black, GT Cord # C4257, Pin Out: Polarity Configuration T00 All plugs are Medical Grade, Locking, Polarized once installed, and single use only. Product demonstration link: https://en.globtek.com/news/t00-changeable-output-plug-system-for-power-supplies MOLDED CONNECTORS AVAILABLE, Blades/Input Cord: Not Applicable, Approvals: CCC (up to 48V only); LPS 60950; CAN ICES-3; CB 62368; CB 60950; ETL 1310; ETL; ETL; 230V CoC Tier 2; EAC; UKCA; LPS 62368; GEMS (12V); UL 1310; cETLus 62368-1; ETL 62368; Morocco; S-Mark 62368; Korea (5V Only) pending; India BIS 5V (pending); Taiwan BSMI(5V only) pending; IRAM; South Africa (pending); South Africa (pending); S-Mark 60950; RCM; CE; CE; CB 60335; S-Mark IEC/EN 60601-1; WEEE; VCCI; Ukraine; RoHS; Level VI; China RoHS; CE; PSE; PSE; PSE; CB 60601-1;	
	Model No. GTM96300-2307.5-T3	
	Part No./Ordering No. TR9CC3000T00IMR6B	Rev B

## ELECTRICAL SPECIFICATIONS

### A) ELECTRICAL SPECIFICATIONS:

01. Input Voltage: Specified 90-264 Vac, Nameplate rated: 100-240Vac
  - 90-264 Vac range @ 100% of rated load current
  - 85-264 Vac range @ 85% of rated load current
  - 110-370 VDC range @ 100% of rated load current
02. Input Frequency: Specified 47-63 Hz, Nameplate rated 50-60Hz
03. Output Regulation: +/- 5% measured at the output connector
04. Line Voltage Regulation: +/- 0.5% typical measured at full load
05. Green Power On Indicator LED
06. Output Ripple (Vp-p): 1% or 100 mV whichever is greater, measured at 20 MHz bandwidth with 0.1 uf ceramic capacitor in parallel with a low impedance 47 uf electrolytic capacitor connected at the end of the output connector
07. Turn-ON/OFF Overshoot: 5% maximum, 1 mS typical recovery time for 40% to 70% step load
08. Turn-ON Delay: 1 second maximum @ full load, nominal line
09. Hold-Up Time: 8 mS typical @ nominal input voltage and full load
10. Inrush Current: 30A/60A maximum cold start @ 115/230Vac input
11. Efficiency: Compliant with Efficiency Level VI and CoC Tier 2 standards
12. No Load Standby Power: <0.075 W @ 230Vac

### B) PROTECTION

01. Input Protection: Input line fusing and 300Vac MOV
02. Short Circuit/ Overload: Electronically Protected unit will auto recover upon removal of fault
  - Output Current Limit: 110% to 160% of rated output current
  - (upper end of current limit range is determined by normal output power rating, not derated output power level)
03. Output Over-Voltage: 110% to 130% of nominal output voltage

### C) SAFETY

01. Dielectric Withstand Voltage: 4000Vac or 5656Vdc from input to output, On Class I models, 3000Vac or 4242Vdc from input to earth
02. Earth Leakage Current: Class I models < 300uA, N/A for Class II models
03. Touch Current: Class I models < 20uA, Class II models < 75uA
04. Earth Continuity Test: < 0.1 Ohm between Earth Pin at AC input and PCB termination point (Class I models only)
05. Means of Protection: 2 x MOPP
06. Compliant Standards: See listings at end of this drawing for specifics
07. [Output Isolation Options:](#)
  - a) C8 or C18 Inlet, Class II
  - b) C6 or C14 Inlet, Class II FE, Output Isolated from Earth contact
  - c) C6 or C14 Inlet, Class I, Output negative directly attached to Earth contact

### D) EMC

- EN 60601-1-2, 4<sup>th</sup> edition  
Emissions, per EN 55032, EN 61000-6-3, EN 61000-6-4, CISPR11 and CISPR22  
Conducted Emissions: Class B, FCC Part 15, Class B  
Radiated Emissions: Class B, FCC Part 15, Class B

#### PROPRIETARY INFORMATION

<p>GlobTek, Inc. www.globtek.com 186 Veterans Drive, Northvale, NJ 07647 Tel. (201) 784-1000 Fax (201) 784-0111</p>	<p>Drawing Title: GTM96300-2307.5-T3, Medical/ICT/ITE/Household use Power Supply, Efficiency Level: USA DOE Level VI / Eco-design Directive 2009/125/EC, (EU) 2019/1782, Case Color/Style: GlobTek Black, Desktop/External, Regulated Switchmode AC-DC Power Supply AC Adaptor, Input Rating: 100-240V~, 50-60 Hz, IEC 60320/C14, Output Rating: 22.5W, 7.5V@3.0A, Output Configuration: 1200 mm, 16/2 Cond, Round Black, T-plug system (includes 5.5x2.5, 5.5x2.1, 3.5x1.3mm plugs in each kit), Ferrite: None, GlobTek Black, GT Cord # C4257, Pin Out: Polarity Configuration T00 All plugs are Medical Grade, Locking, Polarized once installed, and single use only. Product demonstration link: <a href="https://en.globtek.com/news/t00-changeable-output-plug-system-for-power-supplies">https://en.globtek.com/news/t00-changeable-output-plug-system-for-power-supplies</a> MOLDED CONNECTORS AVAILABLE, Blades/Input Cord: Not Applicable, Approvals: CCC (up to 48V only); LPS 60950; CAN ICES-3; CB 62368; CB 60950; ETL 1310; ETL; ETL; 230V CoC Tier 2; EAC; UKCA; LPS 62368; GEMS (12V); UL 1310; cETLus 62368-1; ETL 62368; Morocco; S-Mark 62368; Korea (5V Only) pending; India BIS 5V (pending); Taiwan BSMI(5V only) pending; IRAM; South Africa (pending); South Africa (pending); S-Mark 60950; RCM; CE; CE; CB 60335; S-Mark IEC/EN 60601-1; WEEE; VCCI; Ukraine; RoHS; Level VI; China RoHS; CE; PSE; PSE; PSE; CB 60601-1;</p>	
	<p>Model No. GTM96300-2307.5-T3</p>	
	<p>Part No./Ordering No. TR9CC3000T00IMR6B</p>	<p>Rev B</p>

Line Frequency Harmonics EN61000-3-2, Class A  
Voltage Fluctuations/Flicker EN61000-3-3

Immunity, per EN 55024, EN 61000-6-1, EN 61000-6-2

Static Discharge Immunity EN61000-4-2, 10kV Contact Discharge, 20kV air discharge

Radiated RF Immunity EN61000-4-3, 10V/m 80-1000MHz, 3V/m 1-2.7GHz, 80% 1KHz AM.

EFT/Burst Immunity EN61000-4-4, 4kV/100kHz.

Line Surge Immunity EN61000-4-5, 2kV differential, 4kV common-mode

Conducted RF Immunity EN61000-4-6, 3Vrms, 80% 1KHz AM

Power Frequency Magnetic Field Immunity EN61000-4-8, 3A/m

Voltage Dip Immunity EN61000-4-11, Performance Criteria B/C

#### E) OTHER:

01. MTBF: 1,000,000 Hours @ 40°C ambient temperature, Full Load

02. GTM96300 Family: -10°C to 40°C ambient temperature with full load

Regarding Operating Temperature,

a- See below derating table for output power capability at alternate temperature

b- Extended low end temperature range available as custom option

03. Operating Humidity: 0% to 95% relative humidity, non-condensing

04. Storage Temperature: -30°C to 80°C

05. Operating Altitude: 5000 Meters

06. ROHS: Compliant with latest regulations, see approvals section below

#### F) ENCLOSURE

01. Housing: High impact plastic, 94V0 polycarbonate, non-vented

02. Markings: Label or Laser Printed

03. AC Input mechanical options: Desktop C6, C8, C14 or C18 IEC Inlet.

Hybrid option (Desktop or Changeable Blade Wall Plug-in) Class I or Class II input

#### G) SPECIAL OPTIONS

01. Cost reduction, removal of LED

02. Custom Cordsets, various cordage types, and connector types

03. Custom Markings

04. Short term Output Surge Capability

05. Reduced Leakage Current versions

06. Tightened output voltage tolerance

07. Reduced output ripple level

08. Reduced output power rating marking

09. High Rel PCB laminate with Plated through Holes for IPC610 Class 2 Compliance

10. Special Housing Colors and Cordset Colors

11. Quasi Constant Current Output, for Battery Charger Applications

12. Back EMF applications, custom solutions. For unusual motor load aps and other high inductance reverse energy flow requirements

13. Improved Ingress Protection Rating

<p>GlobTek, Inc.  www.globtek.com  186 Veterans Drive,  Northvale, NJ 07647  Tel. (201) 784-1000  Fax (201) 784-0111</p>	<p>Drawing Title: GTM96300-2307.5-T3, Medical/ICT/ITE/Household use Power Supply, Efficiency Level: USA DOE Level VI / Eco-design Directive 2009/125/EC, (EU) 2019/1782, Case Color/Style: GlobTek Black, Desktop/External, Regulated Switchmode AC-DC Power Supply AC Adaptor, Input Rating: 100-240V~, 50-60 Hz, IEC 60320/C14 , Output Rating: 22.5W, 7.5V@3.0A, Output Configuration: 1200 mm, 16/2 Cond, Round Black, T-plug system (includes 5.5x2.5, 5.5x2.1, 3.5x1.3mm plugs in each kit), Ferrite: None, GlobTek Black, GT Cord # C4257, Pin Out: Polarity Configuration T00 All plugs are Medical Grade, Locking, Polarized once installed, and single use only. Product demonstration link: <a href="https://en.globtek.com/news/t00-changeable-output-plug-system-for-power-supplies">https://en.globtek.com/news/t00-changeable-output-plug-system-for-power-supplies</a> MOLDED CONNECTORS AVAILABLE, Blades/Input Cord: Not Applicable, Approvals: CCC (up to 48V only); LPS 60950; CAN ICES-3; CB 62368; CB 60950; ETL 1310; ETL; ETL; 230V CoC Tier 2; EAC; UKCA; LPS 62368; GEMS (12V); UL 1310; cETLus 62368-1; ETL 62368; Morocco; S-Mark 62368; Korea (5V Only) pending; India BIS 5V (pending); Taiwan BSMI(5V only) pending; IRAM; South Africa (pending); South Africa (pending); S-Mark 60950; RCM; CE; CE; CB 60335; S-Mark IEC/EN 60601-1; WEEE; VCCI; Ukraine; RoHS; Level VI; China RoHS; CE; PSE; PSE; PSE; CB 60601-1;</p>		
	<p>Model No. GTM96300-2307.5-T3</p>		
	<table border="1"> <tr> <td data-bbox="300 459 1372 459">Part No./Ordering No. TR9CC3000T00IMR6B</td> <td data-bbox="1372 459 1554 459">Rev B</td> </tr> </table>	Part No./Ordering No. TR9CC3000T00IMR6B	Rev B
Part No./Ordering No. TR9CC3000T00IMR6B	Rev B		

TO ADDRESS SYSTEM-LEVEL EMI CONCERNS, FERRITE CHOKES/BEADS MAY BE ADDED/REVISED UPON REQUEST. A SAMPLE KIT OF GLOBTEK'S STANDARD FERRITES IS AVAILABLE UNDER GLOBTEK P/N: EMI-MITIGATION-KIT1

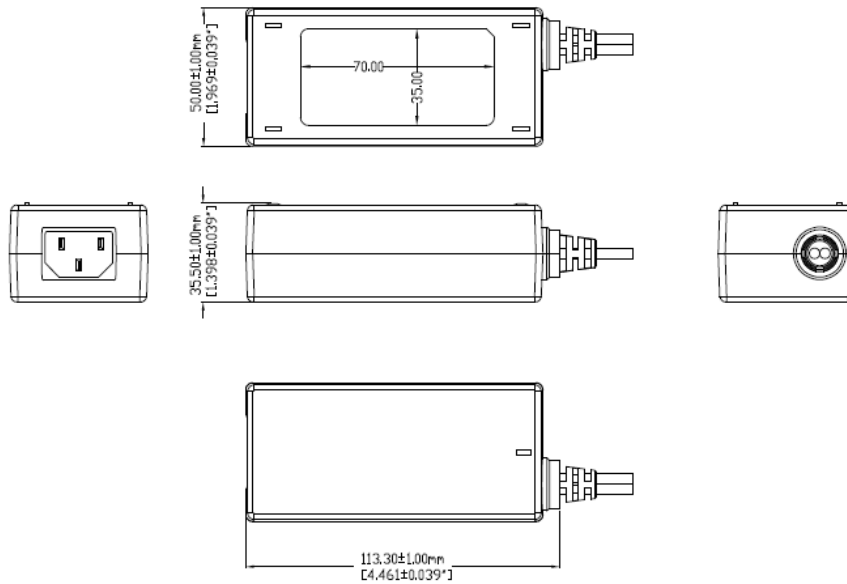
FOR ADDITIONAL INFORMATION, PLEASE READ OUR WHITE PAPER AT:

<https://en.globtek.com/technical-articles/ferrite-kit-radiated-emi-suppression-kit-for-globtek-power-supplies-cable-assemblies>

INGRESS PROTECTION: IP42, IP54 Option available

<p>GlobTek, Inc. www.globtek.com 186 Veterans Drive, Northvale, NJ 07647 Tel. (201) 784-1000 Fax (201) 784-0111</p>	<p>Drawing Title: GTM96300-2307.5-T3, Medical/ICT/ITE/Household use Power Supply, Efficiency Level: USA DOE Level VI / Eco-design Directive 2009/125/EC, (EU) 2019/1782, Case Color/Style: GlobTek Black, Desktop/External, Regulated Switchmode AC-DC Power Supply AC Adaptor, Input Rating: 100-240V~, 50-60 Hz, IEC 60320/C14 , Output Rating: 22.5W, 7.5V@3.0A, Output Configuration: 1200 mm, 16/2 Cond, Round Black, T-plug system (includes 5.5x2.5, 5.5x2.1, 3.5x1.3mm plugs in each kit), Ferrite: None, GlobTek Black, GT Cord # C4257, Pin Out: Polarity Configuration T00 All plugs are Medical Grade, Locking, Polarized once installed, and single use only. Product demonstration link: <a href="https://en.globtek.com/news/t00-changeable-output-plug-system-for-power-supplies">https://en.globtek.com/news/t00-changeable-output-plug-system-for-power-supplies</a> MOLDED CONNECTORS AVAILABLE, Blades/Input Cord: Not Applicable, Approvals: CCC (up to 48V only); LPS 60950; CAN ICES-3; CB 62368; CB 60950; ETL 1310; ETL; ETL; 230V CoC Tier 2; EAC; UKCA; LPS 62368; GEMS (12V); UL 1310; cETLus 62368-1; ETL 62368; Morocco; S-Mark 62368; Korea (5V Only) pending; India BIS 5V (pending); Taiwan BSMI(5V only) pending; IRAM; South Africa (pending); South Africa (pending); S-Mark 60950; RCM; CE; CE; CB 60335; S-Mark IEC/EN 60601-1; WEEE; VCCI; Ukraine; RoHS; Level VI; China RoHS; CE; PSE; PSE; PSE; CB 60601-1;</p>	
	<p>Model No. GTM96300-2307.5-T3</p>	
	<p>Part No./Ordering No. TR9CC3000T00IMR6B</p>	<p>Rev B</p>

3D File Download <https://www.globtek.com/dl/GTM96300-T3%20without%20a%20waterproof%20barrier.igs>



Alternative housing with waterproof barrier. Product PN# ends with suffix "RG"

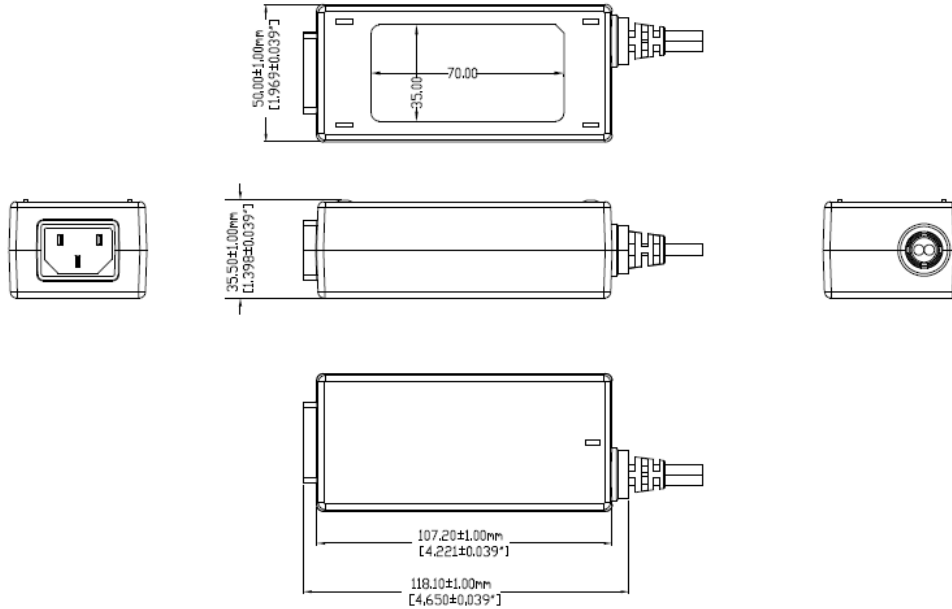
GlobTek, Inc.  
 www.globtek.com  
 186 Veterans Drive,  
 Northvale, NJ 07647  
 Tel. (201) 784-1000  
 Fax (201) 784-0111

Drawing Title: GTM96300-2307.5-T3, Medical/ICT/ITE/Household use Power Supply, Efficiency Level: USA DOE Level VI / Eco-design Directive 2009/125/EC, (EU) 2019/1782, Case Color/Style: GlobTek Black, Desktop/External, Regulated Switchmode AC-DC Power Supply AC Adaptor, Input Rating: 100-240V~, 50-60 Hz, IEC 60320/C14 , Output Rating: 22.5W, 7.5V@3.0A, Output Configuration: 1200 mm, 16/2 Cond, Round Black, T-plug system (includes 5.5x2.5, 5.5x2.1, 3.5x1.3mm plugs in each kit), Ferrite: None, GlobTek Black, GT Cord # C4257, Pin Out: Polarity Configuration T00 All plugs are Medical Grade, Locking, Polarized once installed, and single use only. Product demonstration link: <https://en.globtek.com/news/t00-changeable-output-plug-system-for-power-supplies> MOLDED CONNECTORS AVAILABLE, Blades/Input Cord: Not Applicable, Approvals: CCC (up to 48V only); LPS 60950; CAN ICES-3; CB 62368; CB 60950; ETL 1310; ETL; ETL; 230V CoC Tier 2; EAC; UKCA; LPS 62368; GEMS (12V); UL 1310; cETLus 62368-1; ETL 62368; Morocco; S-Mark 62368; Korea (5V Only) pending; India BIS 5V (pending); Taiwan BSMI(5V only) pending; IRAM; South Africa (pending); South Africa (pending); S-Mark 60950; RCM; CE; CE; CB 60335; S-Mark IEC/EN 60601-1; WEEE; VCCI; Ukraine; RoHS; Level VI; China RoHS; CE; PSE; PSE; PSE; CB 60601-1;

Model No. GTM96300-2307.5-T3

Part No./Ordering No. TR9CC3000T00IMR6B

Rev B





GlobTek, Inc.  
 www.globtek.com  
 186 Veterans Drive,  
 Northvale, NJ 07647  
 Tel. (201) 784-1000  
 Fax (201) 784-0111

Drawing Title: GTM96300-2307.5-T3, Medical/ICT/ITE/Household use Power Supply, Efficiency Level: USA DOE Level VI / Eco-design Directive 2009/125/EC, (EU) 2019/1782, Case Color/Style: GlobTek Black, Desktop/External, Regulated Switchmode AC-DC Power Supply AC Adaptor, Input Rating: 100-240V~, 50-60 Hz, IEC 60320/C14, Output Rating: 22.5W, 7.5V@3.0A, Output Configuration: 1200 mm, 16/2 Cond, Round Black, T-plug system (includes 5.5x2.5, 5.5x2.1, 3.5x1.3mm plugs in each kit), Ferrite: None, GlobTek Black, GT Cord # C4257, Pin Out: Polarity Configuration T00 All plugs are Medical Grade, Locking, Polarized once installed, and single use only. Product demonstration link: <https://en.globtek.com/news/t00-changeable-output-plug-system-for-power-supplies> MOLDED CONNECTORS AVAILABLE, Blades/Input Cord: Not Applicable, Approvals: CCC (up to 48V only); LPS 60950; CAN ICES-3; CB 62368; CB 60950; ETL 1310; ETL; ETL; 230V CoC Tier 2; EAC; UKCA; LPS 62368; GEMS (12V); UL 1310; cETLus 62368-1; ETL 62368; Morocco; S-Mark 62368; Korea (5V Only) pending; India BIS 5V (pending); Taiwan BSMI(5V only) pending; IRAM; South Africa (pending); South Africa (pending); S-Mark 60950; RCM; CE; CE; CB 60335; S-Mark IEC/EN 60601-1; WEEE; VCCI; Ukraine; RoHS; Level VI; China RoHS; CE; PSE; PSE; PSE; CB 60601-1;

Model No. GTM96300-2307.5-T3

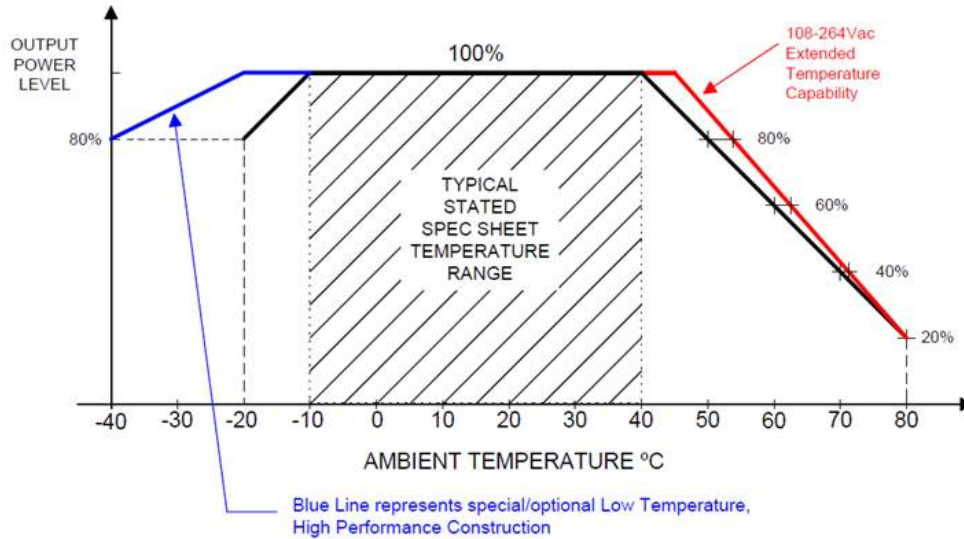
Part No./Ordering No. TR9CC3000T00IMR6B

Rev B

### DERATING CURVE

#### TYPICAL EXTERNAL POWER SUPPLY DERATING CURVE

(FOR EFFICIENCY LEVEL V AND EFFICIENCY LEVEL VI PRODUCTS)

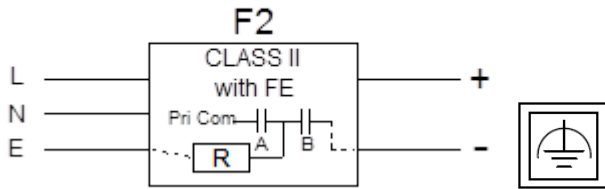


<p>GlobTek, Inc. www.globtek.com 186 Veterans Drive, Northvale, NJ 07647 Tel. (201) 784-1000 Fax (201) 784-0111</p>	<p>Drawing Title: GTM96300-2307.5-T3, Medical/ICT/ITE/Household use Power Supply, Efficiency Level: USA DOE Level VI / Eco-design Directive 2009/125/EC, (EU) 2019/1782, Case Color/Style: GlobTek Black, Desktop/External, Regulated Switchmode AC-DC Power Supply AC Adaptor, Input Rating: 100-240V~, 50-60 Hz, IEC 60320/C14 , Output Rating: 22.5W, 7.5V@3.0A, Output Configuration: 1200 mm, 16/2 Cond, Round Black, T-plug system (includes 5.5x2.5, 5.5x2.1, 3.5x1.3mm plugs in each kit), Ferrite: None, GlobTek Black, GT Cord # C4257, Pin Out: Polarity Configuration T00 All plugs are Medical Grade, Locking, Polarized once installed, and single use only. Product demonstration link: https://en.globtek.com/news/t00-changeable-output-plug-system-for-power-supplies MOLDED CONNECTORS AVAILABLE, Blades/Input Cord: Not Applicable, Approvals: CCC (up to 48V only); LPS 60950; CAN ICES-3; CB 62368; CB 60950; ETL 1310; ETL; ETL; 230V CoC Tier 2; EAC; UKCA; LPS 62368; GEMS (12V); UL 1310; cETLus 62368-1; ETL 62368; Morocco; S-Mark 62368; Korea (5V Only) pending; India BIS 5V (pending); Taiwan BSMI(5V only) pending; IRAM; South Africa (pending); South Africa (pending); S-Mark 60950; RCM; CE; CE; CB 60335; S-Mark IEC/EN 60601-1; WEEE; VCCI; Ukraine; RoHS; Level VI; China RoHS; CE; PSE; PSE; PSE; CB 60601-1;</p>	
	<p>Model No. GTM96300-2307.5-T3</p>	
	<p>Part No./Ordering No. TR9CC3000T00IMR6B</p>	<p>Rev B</p>

**INPUT CONFIGURATION**

(F2) Isolated Functional Earth for GTM96 series, Improved EMC

GTM96XXX Optional Config

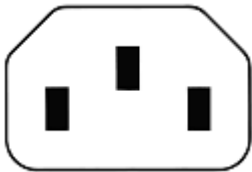


[Alternate grounding configurations](#) available upon request.

Blades/Cord Included:N/A:Not Applicable

Blades/Cord Installed:N/A:Not Applicable

IEC 60320/C14 AC Inlet Connector, Class I, Earth Ground



Mates with IEC 60320/C13 Plug

Optional Locking IEC60320 Receptacle and cord option available on some models by request.:



[Standard International IEC 320/C13 Cordsets](#)

Below are standard cordsets which are "not included" (unless stated above); these can be purchased separately or packaged with the power supply. Contact your Sales Engineer if the style required is not shown below. Many more available in different lengths, colors or cable material.

**Stock Power Supply Cords**

				Length	
--	--	--	--	--------	--

<b>GlobTek, Inc.</b> www.globtek.com 186 Veterans Drive, Northvale, NJ 07647 Tel. (201) 784-1000 Fax (201) 784-0111	Drawing Title: GTM96300-2307.5-T3, Medical/ICT/ITE/Household use Power Supply, Efficiency Level: USA DOE Level VI / Eco-design Directive 2009/125/EC, (EU) 2019/1782, Case Color/Style: GlobTek Black, Desktop/External, Regulated Switchmode AC-DC Power Supply AC Adaptor, Input Rating: 100-240V~, 50-60 Hz, IEC 60320/C14 , Output Rating: 22.5W, 7.5V@3.0A, Output Configuration: 1200 mm, 16/2 Cond, Round Black, T-plug system (includes 5.5x2.5, 5.5x2.1, 3.5x1.3mm plugs in each kit), Ferrite: None, GlobTek Black, GT Cord # C4257, Pin Out: Polarity Configuration T00 All plugs are Medical Grade, Locking, Polarized once installed, and single use only. Product demonstration link: https://en.globtek.com/news/t00-changeable-output-plug-system-for-power-supplies MOLDED CONNECTORS AVAILABLE, Blades/Input Cord: Not Applicable, Approvals: CCC (up to 48V only); LPS 60950; CAN ICES-3; CB 62368; CB 60950; ETL 1310; ETL; ETL; 230V CoC Tier 2; EAC; UKCA; LPS 62368; GEMS (12V); UL 1310; cETLus 62368-1; ETL 62368; Morocco; S-Mark 62368; Korea (5V Only) pending; India BIS 5V (pending); Taiwan BSMI(5V only) pending; IRAM; South Africa (pending); South Africa (pending); S-Mark 60950; RCM; CE; CE; CB 60335; S-Mark IEC/EN 60601-1; WEEE; VCCI; Ukraine; RoHS; Level VI; China RoHS; CE; PSE; PSE; PSE; CB 60601-1;	
	Model No. GTM96300-2307.5-T3	
	Part No./Ordering No. TR9CC3000T00IMR6B	Rev B

Part Number/ Link	Country	Plug	Termination	(mm)	(Ft)
<a href="#">3021457F701(R)</a>	N. American (Type B)	NEMA 5-15P	IEC 320/C13	2150	7
<a href="#">1191068F0701(R)</a>	N. American (Type B)	NEMA 5-15P Hospital	IEC 320/C13	2459	8
<a href="#">2194272M5701-T(R)</a>	Argentina (Type I)	IRAM 2073	IEC 320/C13	2500	8
<a href="#">5502022M5701A(R)</a>	Australian (Type I)	AS3112 / 3 PRONG	IEC 320/C13	2500	8
<a href="#">204B4272M5701(R)</a>	Brazil (Type N)	BRAZIL	IEC 320/C13	2500	8
<a href="#">6023602M5701(R)</a>	China (Type I)	CCC GR2099	IEC 320/C13	2500	8
<a href="#">G8014272M5701(R)</a>	Danish (Type K)	AFSNIT SECTION 107-2-D1	IEC 320/C13	2500	8
<a href="#">23144272M5701-T(R)</a>	Europe (Type E)	CEE 7/7	IEC 320/C13	2500	8
<a href="#">205IN4272M5701(R)</a>	India (Type D)	India IS 1293 (also known as IA16A3 or BS546)	IEC 320/C13	2500	8
<a href="#">208IN4272M5701(R)</a>	India (Type M)	India IS 1293 (also known as IA16A3 or BS546)	IEC320/C13	2500	8
<a href="#">377C4272M5701(R)</a>	Israel (Type H)	ISL 377C	IEC 320/C13	2500	8
<a href="#">23024272M5701(R)</a>	Italy (Type L)	CEI 23-16/VII	IEC 320/C13	2500	8
<a href="#">3003339F701(R)</a> [3x1.25mm2]	Japan (Type B)	JIS 8303 / 3 PINS	IEC 320/C13	2500	8
<a href="#">3003068F2701-HK(R)</a> [3 x 2.0mm2]					
<a href="#">302J115J6F0701J(R)</a>	Japan / North America (Type B – 12A)	JIS 8303 / 3 PINS and NEMA 5-15P (PSE and UL/CUL appr)	IEC 320/C13	1830	6
<a href="#">302J104J6F0701J(R)</a>	Japan / North America (Type B – 15A)	JIS 8303 / 3 PINS and NEMA 5-15P (PSE and UL/CUL appr)	IEC 320/C13	1830	6
<a href="#">2313K3432M5701(R)</a>	Korea (Type F)	KS C 8305	IEC 320/C13	2500	8
<a href="#">5804272M5701(R)</a>	Russia (Type F)	GOST 7396	IEC 320/C13	2500	8
<a href="#">2084272M5701(R)</a>	South Africa (Type M)	South Africa SABS164-1 (16A type)	IEC 320/C13	2500	8
<a href="#">23214272M5701(R)</a>	Switzerland (Type J)	SEV 1011	IEC 320/C13	2500	8
<a href="#">3003322M5701(R)</a>	Taiwan (Type B)	BSMI	IEC 320/C13	2500	8
<a href="#">PZ0800100-2M5BK13H(R)</a>	UK, Hong Kong, Singapore, Gulf States (Type G)	BS 1363A	IEC 320/C13	2500	8
<a href="#">7055002M5701A(R)</a>	International	IEC 320 C14-C13	IEC 320/C13	2500	8

<b>GlobTek, Inc.</b> www.globtek.com 186 Veterans Drive, Northvale, NJ 07647 Tel. (201) 784-1000 Fax (201) 784-0111	Drawing Title: GTM96300-2307.5-T3, Medical/ICT/ITE/Household use Power Supply, Efficiency Level: USA DOE Level VI / Eco-design Directive 2009/125/EC, (EU) 2019/1782, Case Color/Style: GlobTek Black, Desktop/External, Regulated Switchmode AC-DC Power Supply AC Adaptor, Input Rating: 100-240V~, 50-60 Hz, IEC 60320/C14 , Output Rating: 22.5W, 7.5V@3.0A, Output Configuration: 1200 mm, 16/2 Cond, Round Black, T-plug system (includes 5.5x2.5, 5.5x2.1, 3.5x1.3mm plugs in each kit), Ferrite: None, GlobTek Black, GT Cord # C4257, Pin Out: Polarity Configuration T00 All plugs are Medical Grade, Locking, Polarized once installed, and single use only. Product demonstration link: <a href="https://en.globtek.com/news/t00-changeable-output-plug-system-for-power-supplies">https://en.globtek.com/news/t00-changeable-output-plug-system-for-power-supplies</a> MOLDED CONNECTORS AVAILABLE, Blades/Input Cord: Not Applicable, Approvals: CCC (up to 48V only); LPS 60950; CAN ICES-3; CB 62368; CB 60950; ETL 1310; ETL; 230V CoC Tier 2; EAC; UKCA; LPS 62368; GEMS (12V); UL 1310; cETLus 62368-1; ETL 62368; Morocco; S-Mark 62368; Korea (5V Only) pending; India BIS 5V (pending); Taiwan BSMI(5V only) pending; IRAM; South Africa (pending); South Africa (pending); S-Mark 60950; RCM; CE; CE; CB 60335; S-Mark IEC/EN 60601-1; WEEE; VCCI; Ukraine; RoHS; Level VI; China RoHS; CE; PSE; PSE; PSE; CB 60601-1;	
	Model No. GTM96300-2307.5-T3	
	Part No./Ordering No. TR9CC3000T00IMR6B	Rev B

**OUTPUT CORD AND CONNECTOR: T00/C4257**

ACTUAL CONNECTORS, OVERMOLDS, FERRITES MAY VARY SLIGHTLY FROM THE PICTURE BELOW

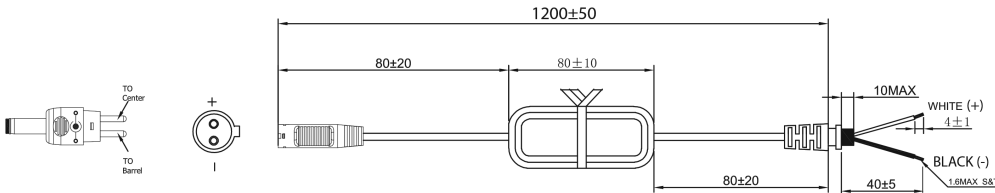
CABLE TYPE	Round Black
CABLE LENGTH (mm)	1200
CABLE TOLERANCE (mm)	± 50
WIRE GAUGE (AWG)	16
CONDUCTORS	2
HANK DIMENSION (mm)	80 ± 10
CABLE / CONNECTOR OVERMOLD COLOR	GlobTek Black
FERRITE TYPE / DIMENSION	None
FERRITE # OF TURNS(Definition)	N/A
FERRITE DIMENSION FROM STRAIN RELIEF	N/A
FERRITE DIMENSION FROM PLUG	N/A
PLUG TYPE	T-plug system (includes 5.5x2.5, 5.5x2.1, 3.5x1.3mm plugs in each kit)
OUTPUT CONNECTOR GENDER	not applicable
OVERMOLDED	Yes
OVER MOLD ORIENTATION	Straight
CONNECTOR PIN OUT:	Polarity Configuration T00 All plugs are Medical Grade, Locking, Polarized once installed, and single use only. Product demonstration link: <a href="https://en.globtek.com/news/t00-changeable-output-plug-system-for-power-supplies">https://en.globtek.com/news/t00-changeable-output-plug-system-for-power-supplies</a> MOLDED CONNECTORS AVAILABLE

**ADDITIONAL REQUIREMENTS**

This novel system allows for rapid shipment of prototype samples or small quantities of common output voltage and current which can fulfill the needs of most common barrel plug specs. The table below explains the standard and non standard options available as part of this system. This system also allows for both Center Positive and Center Negative polarity.

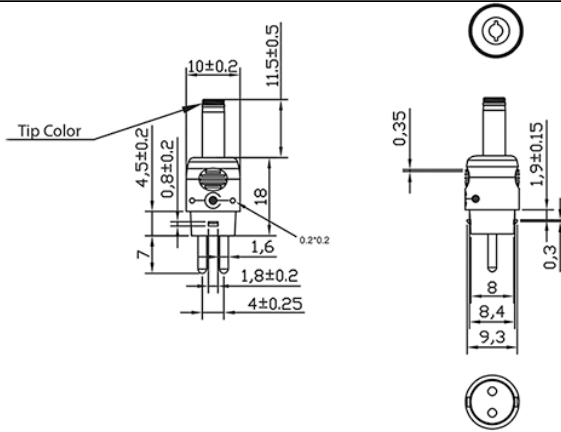
The T00 plug and adapters are Medical Grade, single use only, Polarized after installation, and not removable without use of special tool.

Any of the below options, and more, are available as molded plugs from stock or special order. Please contact GlobTek for more information



**PROPRIETARY INFORMATION**

<p>GlobTek, Inc. www.globtek.com 186 Veterans Drive, Northvale, NJ 07647 Tel. (201) 784-1000 Fax (201) 784-0111</p>	<p>Drawing Title: GTM96300-2307.5-T3, Medical/ICT/ITE/Household use Power Supply, Efficiency Level: USA DOE Level VI / Eco-design Directive 2009/125/EC, (EU) 2019/1782, Case Color/Style: GlobTek Black, Desktop/External, Regulated Switchmode AC-DC Power Supply AC Adaptor, Input Rating: 100-240V~, 50-60 Hz, IEC 60320/C14, Output Rating: 22.5W, 7.5V@3.0A, Output Configuration: 1200 mm, 16/2 Cond, Round Black, T-plug system (includes 5.5x2.5, 5.5x2.1, 3.5x1.3mm plugs in each kit), Ferrite: None, GlobTek Black, GT Cord # C4257, Pin Out: Polarity Configuration T00 All plugs are Medical Grade, Locking, Polarized once installed, and single use only. Product demonstration link: https://en.globtek.com/news/t00-changeable-output-plug-system-for-power-supplies MOLDED CONNECTORS AVAILABLE, Blades/Input Cord: Not Applicable, Approvals: CCC (up to 48V only); LPS 60950; CAN ICES-3; CB 62368; CB 60950; ETL 1310; ETL; ETL; 230V CoC Tier 2; EAC; UKCA; LPS 62368; GEMS (12V); UL 1310; cETLus 62368-1; ETL 62368; Morocco; S-Mark 62368; Korea (5V Only) pending; India BIS 5V (pending); Taiwan BSMI(5V only) pending; IRAM; South Africa (pending); South Africa (pending); S-Mark 60950; RCM; CE; CE; CB 60335; S-Mark IEC/EN 60601-1; WEEE; VCCI; Ukraine; RoHS; Level VI; China RoHS; CE; PSE; PSE; PSE; CB 60601-1;</p>	
	<p>Model No. GTM96300-2307.5-T3</p>	
	<p>Part No./Ordering No. TR9CC3000T00IMR6B</p>	<p>Rev B</p>



Part #	CROSS REFERENCE	OUTER DIAMETER	INNER DIAMETER	PIN	LENGTH	FORM FACTOR MALE/FEMALE	INCLUDED IN T00 KIT	TIP COLOR
<a href="#">T-K-11-S(R)</a>	Philmore® 204/2049	3.5	1.3	-	11	STRAIGHT Female	x	Blue
<a href="#">T-EJ2-95-S(R)</a>	Philmore® 240 plug	4	1.7	-	9.5	STRAIGHT Female	Order Separately	Brown
<a href="#">T-EJ3-95-S(R)</a>	Philmore® 275 plug	4.75	1.7	-	9.5	STRAIGHT Female	Order Separately	Red
<a href="#">T-C-95-S(R)</a>	Switchcraft® 722A	5.5	2.1	-	9.5	STRAIGHT Female	Order Separately	Yellow
<a href="#">T-C-12-S(R)</a>	Switchcraft® 722A	5.5	2.1	-	12	STRAIGHT Female	x	Yellow
<a href="#">T-L-95-S(R)</a>	Switchcraft® 712A	5.5	2.5	-	9.5	STRAIGHT Female	Order Separately	Black
<a href="#">T-L-12-S(R)</a>	Switchcraft® 712A	5.5	2.5	-	12	STRAIGHT Female	x	Black
<a href="#">T-EJ4-95-S(R)</a>	Philmore® 255 plug	5.5	3.3	1	9.5	STRAIGHT Female	Order Separately	Orange
<a href="#">T-EJ1-95-S(R)</a>	Philmore® 235 plug	2.35	0.7	-	9.5	STRAIGHT Female	Order Separately	Yellow
	CUI PP3-017/							
<a href="#">T-3.2-0.9-9.0-S(R)</a>	PP-017	3.2	0.9	-	9	STRAIGHT Female	Order Separately	Black
<a href="#">T-P-S-STER-14(R)</a>	CUI SP-3501	3.5	-	Stereo	14	STRAIGHT Male	Order Separately	-
<a href="#">T-P-S-MONO-14(R)</a>	CUI MP3-3501	3.5	-	Mono	14	STRAIGHT Male	Order Separately	-
<a href="#">T-S-S-MONO-11(R)</a>	CUI MP3-2501	2.5	-	Mono	11	STRAIGHT Male	Order Separately	-
<a href="#">T-S-S-STER-11(R)</a>	CUI SP-25401	2.5	-	Stereo	11	STRAIGHT Male	Order Separately	-

Option upon request: STRAIGHT Female Barrels are available for special order in any length between 9mm-14mm

This novel system allows for rapid shipment of prototype samples or small quantities of common output voltage and current which can fulfill the needs of most common barrel plug as well as male plug specs. The table explains the standard and non-standard options available as part of this system. This system also allows for

<p>GlobTek, Inc. www.globtek.com 186 Veterans Drive, Northvale, NJ 07647 Tel. (201) 784-1000 Fax (201) 784-0111</p>	<p>Drawing Title: GTM96300-2307.5-T3, Medical/ICT/ITE/Household use Power Supply, Efficiency Level: USA DOE Level VI / Eco-design Directive 2009/125/EC, (EU) 2019/1782, Case Color/Style: GlobTek Black, Desktop/External, Regulated Switchmode AC-DC Power Supply AC Adaptor, Input Rating: 100-240V~, 50-60 Hz, IEC 60320/C14 , Output Rating: 22.5W, 7.5V@3.0A, Output Configuration: 1200 mm, 16/2 Cond, Round Black, T-plug system (includes 5.5x2.5, 5.5x2.1, 3.5x1.3mm plugs in each kit), Ferrite: None, GlobTek Black, GT Cord # C4257, Pin Out: Polarity Configuration T00 All plugs are Medical Grade, Locking, Polarized once installed, and single use only. Product demonstration link: <a href="https://en.globtek.com/news/t00-changeable-output-plug-system-for-power-supplies">https://en.globtek.com/news/t00-changeable-output-plug-system-for-power-supplies</a> MOLDED CONNECTORS AVAILABLE, Blades/Input Cord: Not Applicable, Approvals: CCC (up to 48V only); LPS 60950; CAN ICES-3; CB 62368; CB 60950; ETL 1310; ETL; ETL; 230V CoC Tier 2; EAC; UKCA; LPS 62368; GEMS (12V); UL 1310; cETLus 62368-1; ETL 62368; Morocco; S-Mark 62368; Korea (5V Only) pending; India BIS 5V (pending); Taiwan BSMI(5V only) pending; IRAM; South Africa (pending); South Africa (pending); S-Mark 60950; RCM; CE; CE; CB 60335; S-Mark IEC/EN 60601-1; WEEE; VCCI; Ukraine; RoHS; Level VI; China RoHS; CE; PSE; PSE; PSE; CB 60601-1;</p>	
	<p>Model No. GTM96300-2307.5-T3</p>	
	<p>Part No./Ordering No. TR9CC3000T00IMR6B</p>	<p>Rev B</p>

both Center Positive and Center Negative polarity.

The T00 plug and adapters are Medical Grade, single use only, Polarized after installation, and not removable without use of special tool.

Any of the below options, and more, are available as molded plugs from stock or special order. Please contact GlobTek for more information

ADDITIONAL OUTPUT PLUG OPTIONS ARE AVAILABLE AT <https://www.globtek.com/connectors/>

STANDARD PLUGS AND CONNECTORS CAN BE SEEN ONLINE AT <https://www.globtek.com/connectors/>

CALCULATE VOLTAGE REGULATION/DROP WITH OUR ONLINE CALCULATOR: <https://en.globtek.com/output-cable-regulation-calculator/>

<p>GlobTek, Inc. www.globtek.com 186 Veterans Drive, Northvale, NJ 07647 Tel. (201) 784-1000 Fax (201) 784-0111</p>	<p>Drawing Title: GTM96300-2307.5-T3, Medical/ICT/ITE/Household use Power Supply, Efficiency Level: USA DOE Level VI / Eco-design Directive 2009/125/EC, (EU) 2019/1782, Case Color/Style: GlobTek Black, Desktop/External, Regulated Switchmode AC-DC Power Supply AC Adaptor, Input Rating: 100-240V~, 50-60 Hz, IEC 60320/C14 , Output Rating: 22.5W, 7.5V@3.0A, Output Configuration: 1200 mm, 16/2 Cond, Round Black, T-plug system (includes 5.5x2.5, 5.5x2.1, 3.5x1.3mm plugs in each kit), Ferrite: None, GlobTek Black, GT Cord # C4257, Pin Out: Polarity Configuration T00 All plugs are Medical Grade, Locking, Polarized once installed, and single use only. Product demonstration link: <a href="https://en.globtek.com/news/t00-changeable-output-plug-system-for-power-supplies">https://en.globtek.com/news/t00-changeable-output-plug-system-for-power-supplies</a> MOLDED CONNECTORS AVAILABLE, Blades/Input Cord: Not Applicable, Approvals: CCC (up to 48V only); LPS 60950; CAN ICES-3; CB 62368; CB 60950; ETL 1310; ETL; ETL; 230V CoC Tier 2; EAC; UKCA; LPS 62368; GEMS (12V); UL 1310; cETLus 62368-1; ETL 62368; Morocco; S-Mark 62368; Korea (5V Only) pending; India BIS 5V (pending); Taiwan BSMI(5V only) pending; IRAM; South Africa (pending); South Africa (pending); S-Mark 60950; RCM; CE; CE; CB 60335; S-Mark IEC/EN 60601-1; WEEE; VCCI; Ukraine; RoHS; Level VI; China RoHS; CE; PSE; PSE; PSE; CB 60601-1;</p>	
	<p>Model No. GTM96300-2307.5-T3</p>	
	<p>Part No./Ordering No. TR9CC3000T00IMR6B</p>	<p>Rev B</p>

**OUTPUT CONNECTOR HOOK UP**

TO ADDRESS SYSTEM-LEVEL EMI CONCERNS, FERRITE CHOKES/BEADS MAY BE ADDED/REVISED UPON REQUEST. A SAMPLE KIT OF GLOBTEK'S STANDARD FERRITES IS AVAILABLE UNDER GLOBTEK P/N: EMI-MITIGATION-KIT1

FOR ADDITIONAL INFORMATION, PLEASE READ OUR WHITE PAPER AT:

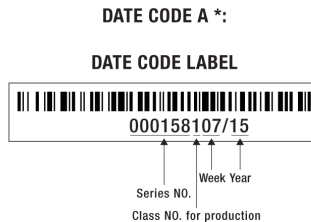
<https://en.globtek.com/technical-articles/ferrite-kit-radiated-emi-suppression-kit-for-globtek-power-supplies-cable-assemblies>

<b>GlobTek, Inc.</b> www.globtek.com 186 Veterans Drive, Northvale, NJ 07647 Tel. (201) 784-1000 Fax (201) 784-0111	Drawing Title: GTM96300-2307.5-T3, Medical/ICT/ITE/Household use Power Supply, Efficiency Level: USA DOE Level VI / Eco-design Directive 2009/125/EC, (EU) 2019/1782, Case Color/Style: GlobTek Black, Desktop/External, Regulated Switchmode AC-DC Power Supply AC Adaptor, Input Rating: 100-240V~, 50-60 Hz, IEC 60320/C14, Output Rating: 22.5W, 7.5V@3.0A, Output Configuration: 1200 mm, 16/2 Cond, Round Black, T-plug system (includes 5.5x2.5, 5.5x2.1, 3.5x1.3mm plugs in each kit), Ferrite: None, GlobTek Black, GT Cord # C4257, Pin Out: Polarity Configuration T00 All plugs are Medical Grade, Locking, Polarized once installed, and single use only. Product demonstration link: https://en.globtek.com/news/t00-changeable-output-plug-system-for-power-supplies MOLDED CONNECTORS AVAILABLE, Blades/Input Cord: Not Applicable, Approvals: CCC (up to 48V only); LPS 60950; CAN ICES-3; CB 62368; CB 60950; ETL 1310; ETL; ETL; 230V CoC Tier 2; EAC; UKCA; LPS 62368; GEMS (12V); UL 1310; cETLus 62368-1; ETL 62368; Morocco; S-Mark 62368; Korea (5V Only) pending; India BIS 5V (pending); Taiwan BSMI(5V only) pending; IRAM; South Africa (pending); South Africa (pending); S-Mark 60950; RCM; CE; CE; CB 60335; S-Mark IEC/EN 60601-1; WEEE; VCCI; Ukraine; RoHS; Level VI; China RoHS; CE; PSE; PSE; PSE; CB 60601-1;	
	Model No. GTM96300-2307.5-T3	
	Part No./Ordering No. TR9CC3000T00IMR6B	Rev B

**LABEL:L-1186**

LABEL P/N:	Standard GT
MATERIAL:	Flat Thermal Transfer, Imprintable, Polyester Label and/or Pad Printed and/or Molded, and/or Laser Engraved in the case
BACKGROUND COLOR:	Black if housing is Black, White or Silver if housing is White or Gray.
TEXT COLOR:	White or Silver if label is Black Background for Black housing. Black if label is White or Silver background and Housing is White or Gray.
LABEL WIDTH (mm):	35.0
LABEL HEIGHT (mm):	70.0
SPECIAL BARCODE LABEL MATERIAL:	No

Below is the minimum information which will appear on the label. NOTE: in the logo area additional/actual positioning of symbols and text is subjected to change as per agency updates/requirements or additional model approvals become available. Regulatory certifications/label markings may be in logo area on the label or molded into the case housing outside the label area. Information will be shown via label and/or pad printed and/or molded and/or laser engraved in the case. \* Date code markings at GlobTek option



or

**DATE CODE B \*:**

WWYY  
 WW = WEEK  
 YY = YEAR

- A=Medical/ICT/ITE/Household use Power Supply
- B=P/N: (料号) TR9CC3000T00IMR6B
- C=Model (型号) GTM96300-2307.5-T3
- D=Input (输入)100-240V~, 50-60 Hz, 1A
- E=Output (输出)7.5 V 3.0 A, 22.5W



<b>GlobTek, Inc.</b> <b>www.globtek.com</b> <b>186 Veterans Drive,</b> <b>Northvale, NJ 07647</b> <b>Tel. (201) 784-1000</b> <b>Fax (201) 784-0111</b>	Drawing Title: GTM96300-2307.5-T3, Medical/ICT/ITE/Household use Power Supply, Efficiency Level: USA DOE Level VI / Eco-design Directive 2009/125/EC, (EU) 2019/1782, Case Color/Style: GlobTek Black, Desktop/External, Regulated Switchmode AC-DC Power Supply AC Adaptor, Input Rating: 100-240V~, 50-60 Hz, IEC 60320/C14 , Output Rating: 22.5W, 7.5V@3.0A, Output Configuration: 1200 mm, 16/2 Cond, Round Black, T-plug system (includes 5.5x2.5, 5.5x2.1, 3.5x1.3mm plugs in each kit), Ferrite: None, GlobTek Black, GT Cord # C4257, Pin Out: Polarity Configuration T00 All plugs are Medical Grade, Locking, Polarized once installed, and single use only. Product demonstration link: <a href="https://en.globtek.com/news/t00-changeable-output-plug-system-for-power-supplies">https://en.globtek.com/news/t00-changeable-output-plug-system-for-power-supplies</a> MOLDED CONNECTORS AVAILABLE, Blades/Input Cord: Not Applicable, Approvals: CCC (up to 48V only); LPS 60950; CAN ICES-3; CB 62368; CB 60950; ETL 1310; ETL; ETL; 230V CoC Tier 2; EAC; UKCA; LPS 62368; GEMS (12V); UL 1310; cETLus 62368-1; ETL 62368; Morocco; S-Mark 62368; Korea (5V Only) pending; India BIS 5V (pending); Taiwan BSMI(5V only) pending; IRAM; South Africa (pending); South Africa (pending); S-Mark 60950; RCM; CE; CE; CB 60335; S-Mark IEC/EN 60601-1; WEEE; VCCI; Ukraine; RoHS; Level VI; China RoHS; CE; PSE; PSE; PSE; CB 60601-1;	
	Model No. GTM96300-2307.5-T3	
	Part No./Ordering No. TR9CC3000T00IMR6B	Rev B

AGENCY ONLINE DOCUMENTS	<a href="http://www.globtek.info/certs/GTM96300-TZ/">http://www.globtek.info/certs/GTM96300-TZ/</a>
CE EC-Declaration for Medical	<a href="http://globtek.force.com/models/ec_declaration_product?id=01t0c000008OkOr&amp;m=1">http://globtek.force.com/models/ec_declaration_product?id=01t0c000008OkOr&amp;m=1</a>
CE EC-Declaration for Industrial/Commercial/ITE	<a href="http://globtek.force.com/models/ec_declaration_product?id=01t0c000008OkOr&amp;i=2">http://globtek.force.com/models/ec_declaration_product?id=01t0c000008OkOr&amp;i=2</a>
CE EC-Declaration for Household	
UKCA-Declaration for Medical	<a href="http://globtek.force.com/models/ukca_declaration_product?id=01t0c000008OkOr&amp;m=1">http://globtek.force.com/models/ukca_declaration_product?id=01t0c000008OkOr&amp;m=1</a>
UKCA-Declaration for Industrial/Commercial/ITE	<a href="http://globtek.force.com/models/ukca_declaration_product?id=01t0c000008OkOr&amp;i=2">http://globtek.force.com/models/ukca_declaration_product?id=01t0c000008OkOr&amp;i=2</a>
UKCA-Declaration for Household	<a href="http://globtek.force.com/models/ukca_declaration_product?id=01t0c000008OkOr&amp;h=2">http://globtek.force.com/models/ukca_declaration_product?id=01t0c000008OkOr&amp;h=2</a>
Morocco SDoC Declaration	<a href="https://globtek.secure.force.com/models/Morocco_SDoC_Declaration?id=a0Oa000000MmJblEAF">https://globtek.secure.force.com/models/Morocco_SDoC_Declaration?id=a0Oa000000MmJblEAF</a>
RoHS/RoHS3 Declaration	<a href="https://www.globtek.com/pdf/rohs_cert/01t0c000008OkOrAAK">https://www.globtek.com/pdf/rohs_cert/01t0c000008OkOrAAK</a>
REACH Declaration	<a href="https://www.globtek.com/pdf/iso_certificates/REACH.pdf">https://www.globtek.com/pdf/iso_certificates/REACH.pdf</a>
Conflict Minerals Declaration	<a href="https://www.globtek.com/pdf/conflict-minerals.pdf">https://www.globtek.com/pdf/conflict-minerals.pdf</a>
Prop 65 Statement	<a href="https://en.globtek.com/prop-65-statement.pdf">https://en.globtek.com/prop-65-statement.pdf</a>
IPXY rating is based on 3rd party testing and customers should check suitability and test system level IPXY rating before ordering.	

## Regulatory Certifications/Label Markings

Below follows a link to the latest regulatory certifications and marks for this specific product. National standards as well as certification schemes are constantly changing and so is the set of certification marks and symbols applicable to this product. Various standards, marks and symbols, and certificates are subject to change at any time without notice.

Additional standards or unique country certifications are available upon request. Please contact Globtek to request a quotation.

LATEST PRODUCT/MODEL CERTIFICATIONS: <https://en.globtek.com/datasheet/id/a0Oa000000MmJbl>

AGENCY ONLINE DOCUMENTS: <http://www.globtek.info/certs/GTM96300-TZ/>



(F2) Isolated Functional Earth for GTM96 series, Improved EMC



Polarity Configuration T00 All plugs are Medical Grade, Locking, Polarized once installed, and single use only.  
Product demonstration link: <https://en.globtek.com/news/t00-changeable-output-plug-system-for-power-supplies>  
MOLDED CONNECTORS AVAILABLE

<b>GlobTek, Inc.</b> <b>www.globtek.com</b> <b>186 Veterans Drive,</b> <b>Northvale, NJ 07647</b> <b>Tel. (201) 784-1000</b> <b>Fax (201) 784-0111</b>	Drawing Title: GTM96300-2307.5-T3, Medical/ICT/ITE/Household use Power Supply, Efficiency Level: USA DOE Level VI / Eco-design Directive 2009/125/EC, (EU) 2019/1782, Case Color/Style: GlobTek Black, Desktop/External, Regulated Switchmode AC-DC Power Supply AC Adaptor, Input Rating: 100-240V~, 50-60 Hz, IEC 60320/C14 , Output Rating: 22.5W, 7.5V@3.0A, Output Configuration: 1200 mm, 16/2 Cond, Round Black, T-plug system (includes 5.5x2.5, 5.5x2.1, 3.5x1.3mm plugs in each kit), Ferrite: None, GlobTek Black, GT Cord # C4257, Pin Out: Polarity Configuration T00 All plugs are Medical Grade, Locking, Polarized once installed, and single use only. Product demonstration link: <a href="https://en.globtek.com/news/t00-changeable-output-plug-system-for-power-supplies">https://en.globtek.com/news/t00-changeable-output-plug-system-for-power-supplies</a> MOLDED CONNECTORS AVAILABLE, Blades/Input Cord: Not Applicable, Approvals: CCC (up to 48V only); LPS 60950; CAN ICES-3; CB 62368; CB 60950; ETL 1310; ETL; ETL; 230V CoC Tier 2; EAC; UKCA; LPS 62368; GEMS (12V); UL 1310; cETLus 62368-1; ETL 62368; Morocco; S-Mark 62368; Korea (5V Only) pending; India BIS 5V (pending); Taiwan BSMI(5V only) pending; IRAM; South Africa (pending); South Africa (pending); S-Mark 60950; RCM; CE; CE; CB 60335; S-Mark IEC/EN 60601-1; WEEE; VCCI; Ukraine; RoHS; Level VI; China RoHS; CE; PSE; PSE; PSE; CB 60601-1;	
	<b>Model No. GTM96300-2307.5-T3</b>	
	<b>Part No./Ordering No. TR9CC3000T00IMR6B</b>	<b>Rev B</b>

## PACKAGING

Packing Spec P/N:	Cell packing for DT plug model with T00 plug and manual
Box Qty:	48
Gift Box Size (mm):	Egg Crate
Gift Box Color:	White
Master Carton Size (mm):	442 x 330 x 275
Master Carton Cubic Volume (m³):	0.04
Master GW (Kg):	15.2 kg
BLADES INCLUDED:	N/A: Not Applicable
BLADE/CORD INSTALLED:	N/A: Not Applicable
USER MANUAL*:	809-DESKTOPUSERMANUAL on A4 paper
USER MANUAL WEB LINK:	<a href="https://en.globtek.com/pdf/809-DESKTOPUSERMANUAL.jpg">https://en.globtek.com/pdf/809-DESKTOPUSERMANUAL.jpg</a>

\* This specification sheet is considered the user manual for all applications. It is expected that the buyer of this product will use it to formulate their own user manual for their end product and a user manual specifically for the power adapter is not usually required. If a user manual is not specifically listed above then none will be provided with this unit.

If specific packaging is required, this section must specify all requirements and note "no exceptions". If this section does not specify packaging, it is subject to change without notice at GlobTek's discretion.

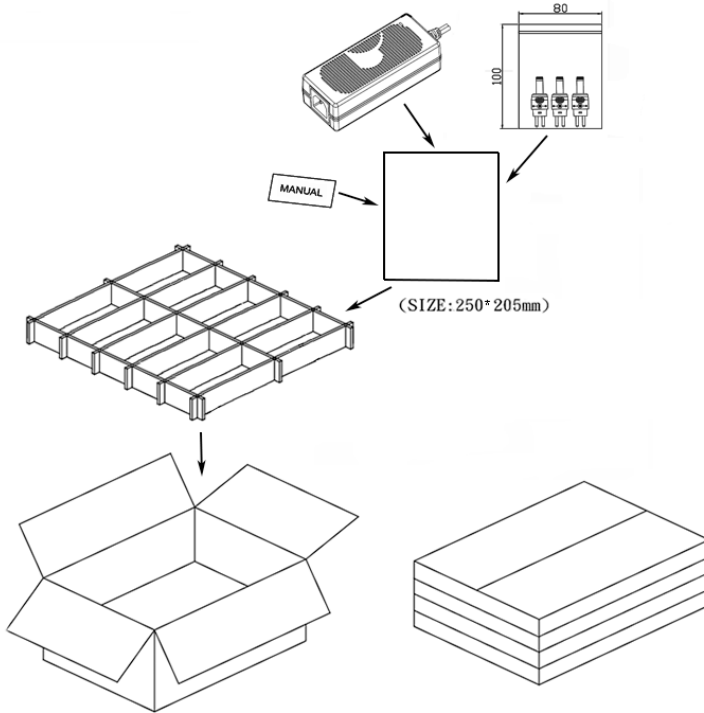
GlobTek, Inc.  
 www.globtek.com  
 186 Veterans Drive,  
 Northvale, NJ 07647  
 Tel. (201) 784-1000  
 Fax (201) 784-0111

Drawing Title: GTM96300-2307.5-T3, Medical/ICT/ITE/Household use Power Supply, Efficiency Level: USA DOE Level VI / Eco-design Directive 2009/125/EC, (EU) 2019/1782, Case Color/Style: GlobTek Black, Desktop/External, Regulated Switchmode AC-DC Power Supply AC Adaptor, Input Rating: 100-240V~, 50-60 Hz, IEC 60320/C14 , Output Rating: 22.5W, 7.5V@3.0A, Output Configuration: 1200 mm, 16/2 Cond, Round Black, T-plug system (includes 5.5x2.5, 5.5x2.1, 3.5x1.3mm plugs in each kit), Ferrite: None, GlobTek Black, GT Cord # C4257, Pin Out: Polarity Configuration T00 All plugs are Medical Grade, Locking, Polarized once installed, and single use only. Product demonstration link: <https://en.globtek.com/news/t00-changeable-output-plug-system-for-power-supplies> MOLDED CONNECTORS AVAILABLE, Blades/Input Cord: Not Applicable, Approvals: CCC (up to 48V only); LPS 60950; CAN ICES-3; CB 62368; CB 60950; ETL 1310; ETL; ETL; 230V CoC Tier 2; EAC; UKCA; LPS 62368; GEMS (12V); UL 1310; cETLus 62368-1; ETL 62368; Morocco; S-Mark 62368; Korea (5V Only) pending; India BIS 5V (pending); Taiwan BSMI(5V only) pending; IRAM; South Africa (pending); South Africa (pending); S-Mark 60950; RCM; CE; CE; CB 60335; S-Mark IEC/EN 60601-1; WEEE; VCCI; Ukraine; RoHS; Level VI; China RoHS; CE; PSE; PSE; PSE; CB 60601-1;

Model No. GTM96300-2307.5-T3

Part No./Ordering No. TR9CC3000T00IMR6B

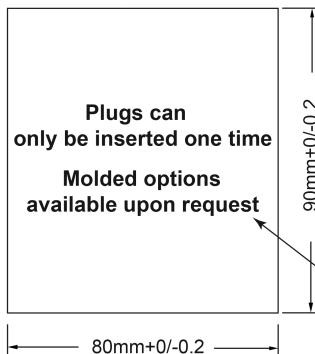
Rev B



Manual for T00-plug: WHITE BACKGROUND WITH BLACK TEXT

PART NO	DIAMETER		LENGTH	TIP COLOR
	OUTER	INNER		
TC-12-S(R)	5.5	2.1	12	YELLOW
TE-12-S(R)	5.5	2.5	12	BLACK
TK-11-S(R)	3.5	1.3	11	BLUE
TEJ2-95-S(R)	4.0	1.7	9.5	BROWN
TEJ3-95-S(R)	4.75	1.7	9.5	RED
TEJ4-95-S(R)	5.5	3.3	9.5	ORANGE
TEJ1-95-S(R)	2.35	0.7	9.5	YELLOW
TEJ5-115-S(R)	6.5	6.0	11.5	BLACK
TIP-S-STER-14(R)	3.5	-	14	-
TIP-S-MONO-14(R)	3.5	-	14	-
T-S-MONO-11(R)	2.5	-	11	-
T-S-S-STER-11(R)	2.5	-	11	-

SHEET A



SHEET B

Arial Bold/18pt

<p>GlobTek, Inc. www.globtek.com 186 Veterans Drive, Northvale, NJ 07647 Tel. (201) 784-1000 Fax (201) 784-0111</p>	<p>Drawing Title: GTM96300-2307.5-T3, Medical/ICT/ITE/Household use Power Supply, Efficiency Level: USA DOE Level VI / Eco-design Directive 2009/125/EC, (EU) 2019/1782, Case Color/Style: GlobTek Black, Desktop/External, Regulated Switchmode AC-DC Power Supply AC Adaptor, Input Rating: 100-240V~, 50-60 Hz, IEC 60320/C14 , Output Rating: 22.5W, 7.5V@3.0A, Output Configuration: 1200 mm, 16/2 Cond, Round Black, T-plug system (includes 5.5x2.5, 5.5x2.1, 3.5x1.3mm plugs in each kit), Ferrite: None, GlobTek Black, GT Cord # C4257, Pin Out: Polarity Configuration T00 All plugs are Medical Grade, Locking, Polarized once installed, and single use only. Product demonstration link: <a href="https://en.globtek.com/news/t00-changeable-output-plug-system-for-power-supplies">https://en.globtek.com/news/t00-changeable-output-plug-system-for-power-supplies</a> MOLDED CONNECTORS AVAILABLE, Blades/Input Cord: Not Applicable, Approvals: CCC (up to 48V only); LPS 60950; CAN ICES-3; CB 62368; CB 60950; ETL 1310; ETL; ETL; 230V CoC Tier 2; EAC; UKCA; LPS 62368; GEMS (12V); UL 1310; cETLus 62368-1; ETL 62368; Morocco; S-Mark 62368; Korea (5V Only) pending; India BIS 5V (pending); Taiwan BSMI(5V only) pending; IRAM; South Africa (pending); South Africa (pending); S-Mark 60950; RCM; CE; CE; CB 60335; S-Mark IEC/EN 60601-1; WEEE; VCCI; Ukraine; RoHS; Level VI; China RoHS; CE; PSE; PSE; PSE; CB 60601-1;</p>	
	<p>Model No. GTM96300-2307.5-T3</p>	
	<p>Part No./Ordering No. TR9CC3000T00IMR6B</p>	<p>Rev B</p>

## INSTRUCTIONS TO THE OEM SYSTEMS ENGINEER

It is the responsibility of the OEM systems engineer to provide the end system user instructions and warnings for the use of this product in the end system.

If an input cord is required for this product, AC Mains voltage should be provided to the power supply by a power supply cord approved to the national standards of the country in which it will be used.

This power supply is not designed to be repaired. No serviceable parts inside. A blown internal fuse is an indication of catastrophic failure of circuit component(s). If a Failure Analysis is required for a failed power supply/battery charger, please return the damaged unit to GlobTek for an accurate determination of the root cause of the failure.

EMC Compliance of the complete OEM product, including the GlobTek power supply/battery charger needs to be verified by the OEM systems engineer.

## INSTRUCTION SHEET

N/A