

|                                                                                                                                    |                                                                                                                                                                                                                                                                                                                                                                                                                                                                                                                                                                                                                                                                                                                                                                                                                                                                                                                                                                                                                                                                                                                                                                                                                                                                                                                                                                                  |  |       |
|------------------------------------------------------------------------------------------------------------------------------------|----------------------------------------------------------------------------------------------------------------------------------------------------------------------------------------------------------------------------------------------------------------------------------------------------------------------------------------------------------------------------------------------------------------------------------------------------------------------------------------------------------------------------------------------------------------------------------------------------------------------------------------------------------------------------------------------------------------------------------------------------------------------------------------------------------------------------------------------------------------------------------------------------------------------------------------------------------------------------------------------------------------------------------------------------------------------------------------------------------------------------------------------------------------------------------------------------------------------------------------------------------------------------------------------------------------------------------------------------------------------------------|--|-------|
| <b>GlobTek, Inc.</b><br>www.globtek.com<br>186 Veterans Drive,<br>Northvale, NJ 07647<br>Tel. (201) 784-1000<br>Fax (201) 784-0111 | Drawing Title: GTM96180-1830-6.0-T2, ICT / ITE / Medical Power Supply/Class 2/Household Power Supply, Efficiency Level: USA DOE Level VI / Eco-design Directive 2009/125/EC, (EU) 2019/1782, Case Color/Style: GlobTek Black, Desktop/External, Regulated Switchmode AC-DC Power Supply AC Adaptor, Input Rating: 100-240V~, 50-60 Hz, IEC 60320/C8 , Output Rating: 18W, 24.0V@0.75A, Output Configuration: 1500 mm, 18/2 Cond, Round Black, T-plug system (includes 5.5x2.5, 5.5x2.1, 3.5x1.3mm plugs in each kit), Ferrite: None, GlobTek Black, GT Cord # C3775, Pin Out: Polarity Configuration T00 All plugs are Medical Grade, Locking, Polarized once installed, and single use only. Product demonstration link: <a href="https://en.globtek.com/news/t00-changeable-output-plug-system-for-power-supplies">https://en.globtek.com/news/t00-changeable-output-plug-system-for-power-supplies</a> MOLDED CONNECTORS AVAILABLE, Blades/Input Cord: Not Applicable, Approvals: IP42; CB 62368; CB 60601-1; PSE; PSE; Fuse 60335; Fuse 60335; cETLus UL1310; CB 60335; CE; CCC; Double Insulation; ETL; S-Mark 60950; RCM; CB 61558-2-16; CAN ICES-3; FCC; WEEE; VCCI; Ukraine; RoHS; CB 60950; LPS 62368; 230V CoC Tier 2; EAC; UKCA; NrCAN (9V only); UL 1310; ETL 62368; cETLus 62368-1; Morocco; S-Mark 62368; cETLus 60601-1 3rd; CE; China RoHS; Level VI; LPS 60950; |  |       |
|                                                                                                                                    | Model No. GTM96180-1830-6.0-T2                                                                                                                                                                                                                                                                                                                                                                                                                                                                                                                                                                                                                                                                                                                                                                                                                                                                                                                                                                                                                                                                                                                                                                                                                                                                                                                                                   |  |       |
|                                                                                                                                    | Part No./Ordering No. TR9KI750T00-IMR6B                                                                                                                                                                                                                                                                                                                                                                                                                                                                                                                                                                                                                                                                                                                                                                                                                                                                                                                                                                                                                                                                                                                                                                                                                                                                                                                                          |  | Rev C |

## REVISION HISTORY

| REV | DESCRIPTION                                                                                                                                | SUB | DATE       | APPROVED |
|-----|--------------------------------------------------------------------------------------------------------------------------------------------|-----|------------|----------|
| C   | Update RoHS 2 to RoHS,Ukraine mark, Add IP42,EAC,IRAM,T1.6A 250VAC ,ETL. CCC Change Model family from GTM96180-18VV-T3 to GTM96180-18VV-T2 |     | 08/17/2018 | QA       |
| B   | Update Polarity configuration on Manual instruction and O/P cord                                                                           |     | 11/03/2016 | QA       |
| A   | Initial Release.                                                                                                                           |     | 10/06/2016 | QA       |

In Addition to GlobTek Inc.'s renewed ISO9001:2015 - Quality Management System Certification, GlobTek Inc. is now certified to:

ISO13485:2016 - Medical Devices Quality Management System Certification  
ISO14001:2015 - Environmental Management System Certification

ISO Certificates are available online at <https://www.globtek.com/iso-certificates/>

### Customer Approval of Specification:

Please approve, sign and send back to GlobTek so we can complete order processing.

A delay in receipt of this form will delay delivery schedule.

Company Name:

Customer P/N:

Quote Number:

Date:

Authorized Representative Name:

Authorized Representative Signature:

The acceptance of this specification and use of the product described in this document indicates the acceptance and binding of the customer to Globtek terms and conditions, which supersede all other agreements, terms, and conditions (<https://en.globtek.com/terms-and-conditions/>).

The purchaser of this product (Customer) agrees that it is their sole responsibility to determine suitability/fitness of the product described in this specification for their application and to take precautions for protection against any hazards attendant to the handling and use of the product.

### Footnote:

GlobTek Inc. will not be liable for the safety and performance of these power supplies if unauthorized access and repair occurs. End user should consult applicable UL, CSA or EN standards for proper installation instruction.

### Limitation of Use:

GlobTek products are intended for use with commercial, medical, and/or industrial equipment only. GlobTek product are not authorized for use as mission critical components in life support hazardous environment, nuclear or aircraft applications without prior written approval from the CEO of GlobTek Inc.

Contents of this document are subject to change without prior notice.

|                                                                                                                                    |                                                                                                                                                                                                                                                                                                                                                                                                                                                                                                                                                                                                                                                                                                                                                                                                                                                                                                                                                                                                                                                                                                                                                                                                                                                                                                                                                                                          |       |
|------------------------------------------------------------------------------------------------------------------------------------|------------------------------------------------------------------------------------------------------------------------------------------------------------------------------------------------------------------------------------------------------------------------------------------------------------------------------------------------------------------------------------------------------------------------------------------------------------------------------------------------------------------------------------------------------------------------------------------------------------------------------------------------------------------------------------------------------------------------------------------------------------------------------------------------------------------------------------------------------------------------------------------------------------------------------------------------------------------------------------------------------------------------------------------------------------------------------------------------------------------------------------------------------------------------------------------------------------------------------------------------------------------------------------------------------------------------------------------------------------------------------------------|-------|
| <b>GlobTek, Inc.</b><br>www.globtek.com<br>186 Veterans Drive,<br>Northvale, NJ 07647<br>Tel. (201) 784-1000<br>Fax (201) 784-0111 | Drawing Title: GTM96180-1830-6.0-T2, ICT / ITE / Medical Power Supply/Class 2/Household Power Supply, Efficiency Level: USA DOE Level VI / Eco-design Directive 2009/125/EC, (EU) 2019/1782, Case Color/Style: GlobTek Black, Desktop/External, Regulated Switchmode AC-DC Power Supply AC Adaptor, Input Rating: 100-240V~, 50-60 Hz, IEC 60320/C8 , Output Rating: 18W, 24.0V@0.75A, Output Configuration: 1500 mm, 18/2 Cond, Round Black, T-plug system (includes 5.5x2.5, 5.5x2.1, 3.5x1.3mm plugs in each kit), Ferrite: None, GlobTek Black, GT Cord # C3775, Pin Out: Polarity Configuration T00 All plugs are Medical Grade, Locking, Polarized once installed, and single use only. Product demonstration link:<br><a href="https://en.globtek.com/news/t00-changeable-output-plug-system-for-power-supplies">https://en.globtek.com/news/t00-changeable-output-plug-system-for-power-supplies</a> MOLDED CONNECTORS AVAILABLE, Blades/Input Cord: Not Applicable, Approvals: IP42; CB 62368; CB 60601-1; PSE; PSE; PSE; Fuse 60335; Fuse 60335; cETLus UL1310; CB 60335; CE; CCC; Double Insulation; ETL; S-Mark 60950; RCM; CB 61558-2-16; CAN ICES-3; FCC; WEEE; VCCI; Ukraine; RoHS; CB 60950; LPS 62368; 230V CoC Tier 2; EAC; UKCA; NrCAN (9V only); UL 1310; ETL 62368; cETLus 62368-1; Morocco; S-Mark 62368; cETLus 60601-1 3rd; CE; China RoHS; Level VI; LPS 60950; |       |
|                                                                                                                                    | Model No. GTM96180-1830-6.0-T2                                                                                                                                                                                                                                                                                                                                                                                                                                                                                                                                                                                                                                                                                                                                                                                                                                                                                                                                                                                                                                                                                                                                                                                                                                                                                                                                                           |       |
|                                                                                                                                    | Part No./Ordering No. TR9KI750T00-IMR6B                                                                                                                                                                                                                                                                                                                                                                                                                                                                                                                                                                                                                                                                                                                                                                                                                                                                                                                                                                                                                                                                                                                                                                                                                                                                                                                                                  | Rev C |

| POWER SUPPLY INFORMATION        |                                                                                                                                                                                                                                                                                                                                                            |
|---------------------------------|------------------------------------------------------------------------------------------------------------------------------------------------------------------------------------------------------------------------------------------------------------------------------------------------------------------------------------------------------------|
| TYPE:                           | Desktop/External                                                                                                                                                                                                                                                                                                                                           |
| TECHNOLOGY:                     | Regulated Switchmode AC-DC Power Supply AC Adaptor                                                                                                                                                                                                                                                                                                         |
| CASE COLOR:                     | GlobTek Black                                                                                                                                                                                                                                                                                                                                              |
| NAMEPLATE RATED INPUT:          | 100-240V~, 50-60 Hz, 0.6 A                                                                                                                                                                                                                                                                                                                                 |
| INPUT CONFIG:                   | IEC 60320/C8                                                                                                                                                                                                                                                                                                                                               |
| WATTS:                          | 18.0                                                                                                                                                                                                                                                                                                                                                       |
| VOLTS OUT:                      | 24.0                                                                                                                                                                                                                                                                                                                                                       |
| CURRENT OUT (Amps):             | 0.75                                                                                                                                                                                                                                                                                                                                                       |
| BLADE/CORD INCLUDED:            | N/A Not Applicable                                                                                                                                                                                                                                                                                                                                         |
| BLADE/CORD INSTALLED:           | N/A :Not Applicable                                                                                                                                                                                                                                                                                                                                        |
| INGRESS PROTECTION:             | IP42                                                                                                                                                                                                                                                                                                                                                       |
| GROUNDING CONFIGURATION:        | (F1) Class II / Double Insulated                                                                                                                                                                                                                                                                                                                           |
| EFFICIENCY LEVEL:               | <a href="#">USA DOE Level VI</a> / <a href="#">Eco-design Directive 2009/125/EC, (EU) 2019/1782</a> - <a href="#">Europe Code of Conduct on Energy Efficiency of External Power Supplies - Version 5</a>                                                                                                                                                   |
| OUTPUT CONFIGURATION:           | 1500 mm, 18/2 Cond, Round Black, T-plug system (includes 5.5x2.5, 5.5x2.1, 3.5x1.3mm plugs in each kit), Ferrite: None, GlobTek Black, GT Cord # C3775                                                                                                                                                                                                     |
| OVERMOLDED:                     | Yes                                                                                                                                                                                                                                                                                                                                                        |
| OUTPUT CONNECTOR GENDER:        | not applicable                                                                                                                                                                                                                                                                                                                                             |
| CONNECTOR PIN OUT:              | Polarity Configuration T00 All plugs are Medical Grade, Locking, Polarized once installed, and single use only. Product demonstration link:<br><a href="https://en.globtek.com/news/t00-changeable-output-plug-system-for-power-supplies">https://en.globtek.com/news/t00-changeable-output-plug-system-for-power-supplies</a> MOLDED CONNECTORS AVAILABLE |
| LABEL SPECS:                    | Standard GT,L-1186                                                                                                                                                                                                                                                                                                                                         |
| SPECIAL BARCODE LABEL MATERIAL: | No                                                                                                                                                                                                                                                                                                                                                         |
| PACK SPEC:                      | Packing for DT plug model with T00 plug and manual                                                                                                                                                                                                                                                                                                         |
| USER MANUAL:                    | 809-DESKTOPUSERMANUAL on A4 paper                                                                                                                                                                                                                                                                                                                          |

|                                                                                                                                         |                                                                                                                                                                                                                                                                                                                                                                                                                                                                                                                                                                                                                                                                                                                                                                                                                                                                                                                                                                                                                                                                                                                                                                                                                                                                                                                                                                                              |              |
|-----------------------------------------------------------------------------------------------------------------------------------------|----------------------------------------------------------------------------------------------------------------------------------------------------------------------------------------------------------------------------------------------------------------------------------------------------------------------------------------------------------------------------------------------------------------------------------------------------------------------------------------------------------------------------------------------------------------------------------------------------------------------------------------------------------------------------------------------------------------------------------------------------------------------------------------------------------------------------------------------------------------------------------------------------------------------------------------------------------------------------------------------------------------------------------------------------------------------------------------------------------------------------------------------------------------------------------------------------------------------------------------------------------------------------------------------------------------------------------------------------------------------------------------------|--------------|
| <p>GlobTek, Inc.<br/>www.globtek.com<br/>186 Veterans Drive,<br/>Northvale, NJ 07647<br/>Tel. (201) 784-1000<br/>Fax (201) 784-0111</p> | <p>Drawing Title: GTM96180-1830-6.0-T2, ICT / ITE / Medical Power Supply/Class 2/Household Power Supply, Efficiency Level: USA DOE Level VI / Eco-design Directive 2009/125/EC, (EU) 2019/1782, Case Color/Style: GlobTek Black, Desktop/External, Regulated Switchmode AC-DC Power Supply AC Adaptor, Input Rating: 100-240V~, 50-60 Hz, IEC 60320/C8 , Output Rating: 18W, 24.0V@0.75A, Output Configuration: 1500 mm, 18/2 Cond, Round Black, T-plug system (includes 5.5x2.5, 5.5x2.1, 3.5x1.3mm plugs in each kit), Ferrite: None, GlobTek Black, GT Cord # C3775, Pin Out: Polarity Configuration T00 All plugs are Medical Grade, Locking, Polarized once installed, and single use only. Product demonstration link: <a href="https://en.globtek.com/news/t00-changeable-output-plug-system-for-power-supplies">https://en.globtek.com/news/t00-changeable-output-plug-system-for-power-supplies</a> MOLDED CONNECTORS AVAILABLE, Blades/Input Cord: Not Applicable, Approvals: IP42; CB 62368; CB 60601-1; PSE; PSE; PSE; Fuse 60335; Fuse 60335; cETLus UL1310; CB 60335; CE; CCC; Double Insulation; ETL; S-Mark 60950; RCM; CB 61558-2-16; CAN ICES-3; FCC; WEEE; VCCI; Ukraine; RoHS; CB 60950; LPS 62368; 230V CoC Tier 2; EAC; UKCA; NrCAN (9V only); UL 1310; ETL 62368; cETLus 62368-1; Morocco; S-Mark 62368; cETLus 60601-1 3rd; CE; China RoHS; Level VI; LPS 60950;</p> |              |
|                                                                                                                                         | <p>Model No. GTM96180-1830-6.0-T2</p>                                                                                                                                                                                                                                                                                                                                                                                                                                                                                                                                                                                                                                                                                                                                                                                                                                                                                                                                                                                                                                                                                                                                                                                                                                                                                                                                                        |              |
|                                                                                                                                         | <p>Part No./Ordering No. TR9KI750T00-IMR6B</p>                                                                                                                                                                                                                                                                                                                                                                                                                                                                                                                                                                                                                                                                                                                                                                                                                                                                                                                                                                                                                                                                                                                                                                                                                                                                                                                                               | <p>Rev C</p> |

Notes/Modifications/Customizations (notes in this section supersede the values shown in the standard spec):

DIMENSIONS ARE IN MM UNLESS SPECIFIED OTHERWISE.



Packing bag includes three tips.

1.T-C-12-S(R)

2.T-L-12-S(R)

3.T-K-11-S(R)

Ä

|                                                                                                                                    |                                                                                                                                                                                                                                                                                                                                                                                                                                                                                                                                                                                                                                                                                                                                                                                                                                                                                                                                                                                                                                                                                                                                                                                                                                                                                                                                                                                      |       |
|------------------------------------------------------------------------------------------------------------------------------------|--------------------------------------------------------------------------------------------------------------------------------------------------------------------------------------------------------------------------------------------------------------------------------------------------------------------------------------------------------------------------------------------------------------------------------------------------------------------------------------------------------------------------------------------------------------------------------------------------------------------------------------------------------------------------------------------------------------------------------------------------------------------------------------------------------------------------------------------------------------------------------------------------------------------------------------------------------------------------------------------------------------------------------------------------------------------------------------------------------------------------------------------------------------------------------------------------------------------------------------------------------------------------------------------------------------------------------------------------------------------------------------|-------|
| <b>GlobTek, Inc.</b><br>www.globtek.com<br>186 Veterans Drive,<br>Northvale, NJ 07647<br>Tel. (201) 784-1000<br>Fax (201) 784-0111 | Drawing Title: GTM96180-1830-6.0-T2, ICT / ITE / Medical Power Supply/Class 2/Household Power Supply, Efficiency Level: USA DOE Level VI / Eco-design Directive 2009/125/EC, (EU) 2019/1782, Case Color/Style: GlobTek Black, Desktop/External, Regulated Switchmode AC-DC Power Supply AC Adaptor, Input Rating: 100-240V~, 50-60 Hz, IEC 60320/C8, Output Rating: 18W, 24.0V@0.75A, Output Configuration: 1500 mm, 18/2 Cond, Round Black, T-plug system (includes 5.5x2.5, 5.5x2.1, 3.5x1.3mm plugs in each kit), Ferrite: None, GlobTek Black, GT Cord # C3775, Pin Out: Polarity Configuration T00 All plugs are Medical Grade, Locking, Polarized once installed, and single use only. Product demonstration link: <a href="https://en.globtek.com/news/t00-changeable-output-plug-system-for-power-supplies">https://en.globtek.com/news/t00-changeable-output-plug-system-for-power-supplies</a> MOLDED CONNECTORS AVAILABLE, Blades/Input Cord: Not Applicable, Approvals: IP42; CB 62368; CB 60601-1; PSE; PSE; PSE; Fuse 60335; Fuse 60335; cETLus UL1310; CB 60335; CE; CCC; Double Insulation; ETL; S-Mark 60950; RCM; CB 61558-2-16; CAN ICES-3; FCC; WEEE; VCCI; Ukraine; RoHS; CB 60950; LPS 62368; 230V CoC Tier 2; EAC; UKCA; NrCAN (9V only); UL 1310; ETL 62368; cETLus 62368-1; Morocco; S-Mark 62368; cETLus 60601-1 3rd; CE; China RoHS; Level VI; LPS 60950; |       |
|                                                                                                                                    | Model No. GTM96180-1830-6.0-T2                                                                                                                                                                                                                                                                                                                                                                                                                                                                                                                                                                                                                                                                                                                                                                                                                                                                                                                                                                                                                                                                                                                                                                                                                                                                                                                                                       |       |
|                                                                                                                                    | Part No./Ordering No. TR9KI750T00-IMR6B                                                                                                                                                                                                                                                                                                                                                                                                                                                                                                                                                                                                                                                                                                                                                                                                                                                                                                                                                                                                                                                                                                                                                                                                                                                                                                                                              | Rev C |

## ELECTRICAL SPECIFICATIONS

### Input

|                      |                                                                                                                                                                        |
|----------------------|------------------------------------------------------------------------------------------------------------------------------------------------------------------------|
| Input Voltage:       | Specified: 90-264VAC, Nameplate: 100-240VAC<br>100% rated load current for 90-264VAC<br>85% rated load current for 85-264VAC<br>100% rated load current for 110-370VDC |
| Input Frequency:     | Specified: 47-63Hz, Nameplate: 50-60Hz                                                                                                                                 |
| No Load Input Power: | <75mW @ 230VAC (EU CoC Tier 2 compliant)                                                                                                                               |
| Inrush Current:      | 30A/60A maximum, cold start @ 115VAC/230VAC input, respectively                                                                                                        |
| Efficiency:          | DoE Level VI compliant, EU CoC Tier 2 compliant                                                                                                                        |

### Output

|                     |                                                                                                                                           |
|---------------------|-------------------------------------------------------------------------------------------------------------------------------------------|
| Turn-on Delay:      | 1 second max. @ nominal line and full load                                                                                                |
| Output Regulation   | ± 5% max. (measured at the output connector)                                                                                              |
| Line Regulation:    | ± 0.5% typ. (measured at the output connector, full load)                                                                                 |
| Ripple:             | 1% or 100mV, whichever is greater (measured using a 47µF low-ESR cap + 0.1µF ceramic capacitor, measured @ 20MHz BW, at output connector) |
| Transient Response: | 5% max. deviation (with 40-70% load step), 1ms typ. recovery time                                                                         |
| Hold-up Time:       | 8ms typ. @ nominal line and full load                                                                                                     |
| Power On Indicator: | Green LED                                                                                                                                 |

### Protections

|                           |                                                                                                                             |
|---------------------------|-----------------------------------------------------------------------------------------------------------------------------|
| Input Protection:         | MOV transient suppressor, input line fusing                                                                                 |
| Over-Voltage Protection:  | 110-130% of nominal output voltage                                                                                          |
| Short-Circuit Protection: | Auto-restart                                                                                                                |
| Over-Current Protection:  | 110-160% of rated output current (Current limit range is determined by normal output power rating, not derated power level) |

### Environmental

|                        |                                                                                                                                       |
|------------------------|---------------------------------------------------------------------------------------------------------------------------------------|
| MTBF:                  | 1,500,000 hours @ 25°C ambient, full load (Telcordia SR-332, Issue 3)<br>-20°C to 40°C (full load)                                    |
| Operating Temperature: | See derating table for output power capability at other temperatures.<br>Extended low temperature range available as a custom option. |
| Storage Temperature:   | -30°C to 80°C                                                                                                                         |
| Humidity:              | 0% to 95% relative humidity, non-condensing                                                                                           |
| Altitude:              | 5000m                                                                                                                                 |

#### PROPRIETARY INFORMATION

PROPRIETARY OF GLOBTEK, INC. ANY REPRODUCTION, DISCLOSURE OR USE OF THIS DRAWING, IN WHOLE OR IN PART, IS HEREBY PROHIBITED EXCEPT AS SPECIFIED IN WRITING BY GLOBTEK, INC. © GlobTek, Inc. 2016 - 2021

|                                                                                                                                    |                                                                                                                                                                                                                                                                                                                                                                                                                                                                                                                                                                                                                                                                                                                                                                                                                                                                                                                                                                                                                                                                                                                                                                                                                                                                                                                                                                                      |       |
|------------------------------------------------------------------------------------------------------------------------------------|--------------------------------------------------------------------------------------------------------------------------------------------------------------------------------------------------------------------------------------------------------------------------------------------------------------------------------------------------------------------------------------------------------------------------------------------------------------------------------------------------------------------------------------------------------------------------------------------------------------------------------------------------------------------------------------------------------------------------------------------------------------------------------------------------------------------------------------------------------------------------------------------------------------------------------------------------------------------------------------------------------------------------------------------------------------------------------------------------------------------------------------------------------------------------------------------------------------------------------------------------------------------------------------------------------------------------------------------------------------------------------------|-------|
| <b>GlobTek, Inc.</b><br>www.globtek.com<br>186 Veterans Drive,<br>Northvale, NJ 07647<br>Tel. (201) 784-1000<br>Fax (201) 784-0111 | Drawing Title: GTM96180-1830-6.0-T2, ICT / ITE / Medical Power Supply/Class 2/Household Power Supply, Efficiency Level: USA DOE Level VI / Eco-design Directive 2009/125/EC, (EU) 2019/1782, Case Color/Style: GlobTek Black, Desktop/External, Regulated Switchmode AC-DC Power Supply AC Adaptor, Input Rating: 100-240V~, 50-60 Hz, IEC 60320/C8, Output Rating: 18W, 24.0V@0.75A, Output Configuration: 1500 mm, 18/2 Cond, Round Black, T-plug system (includes 5.5x2.5, 5.5x2.1, 3.5x1.3mm plugs in each kit), Ferrite: None, GlobTek Black, GT Cord # C3775, Pin Out: Polarity Configuration T00 All plugs are Medical Grade, Locking, Polarized once installed, and single use only. Product demonstration link: <a href="https://en.globtek.com/news/t00-changeable-output-plug-system-for-power-supplies">https://en.globtek.com/news/t00-changeable-output-plug-system-for-power-supplies</a> MOLDED CONNECTORS AVAILABLE, Blades/Input Cord: Not Applicable, Approvals: IP42; CB 62368; CB 60601-1; PSE; PSE; PSE; Fuse 60335; Fuse 60335; cETLus UL1310; CB 60335; CE; CCC; Double Insulation; ETL; S-Mark 60950; RCM; CB 61558-2-16; CAN ICES-3; FCC; WEEE; VCCI; Ukraine; RoHS; CB 60950; LPS 62368; 230V CoC Tier 2; EAC; UKCA; NrCAN (9V only); UL 1310; ETL 62368; cETLus 62368-1; Morocco; S-Mark 62368; cETLus 60601-1 3rd; CE; China RoHS; Level VI; LPS 60950; |       |
|                                                                                                                                    | Model No. GTM96180-1830-6.0-T2                                                                                                                                                                                                                                                                                                                                                                                                                                                                                                                                                                                                                                                                                                                                                                                                                                                                                                                                                                                                                                                                                                                                                                                                                                                                                                                                                       |       |
|                                                                                                                                    | Part No./Ordering No. TR9KI750T00-IMR6B                                                                                                                                                                                                                                                                                                                                                                                                                                                                                                                                                                                                                                                                                                                                                                                                                                                                                                                                                                                                                                                                                                                                                                                                                                                                                                                                              | Rev C |

|                     |                                                                              |
|---------------------|------------------------------------------------------------------------------|
| Ingress protection: | IP42 standard, IP52 available as a special option                            |
| Cooling:            | Convection                                                                   |
| RoHS:               | Complies with EU 2011/65/EU amended by EU 2015/863 and China SJ/T 11363-2006 |

## Safety

|                               |                                                                                                    |
|-------------------------------|----------------------------------------------------------------------------------------------------|
| Dielectric Withstand Voltage: | 4000VAC or 5656VDC from input to output<br>3000VAC or 4242VDC from input to earth (Class I models) |
| Touch Current:                | Class I models: < 20uA<br>Class II models: <75uA                                                   |
| Earth Leakage Current:        | Class I models: <300uA<br>Class II models: N/A                                                     |
| Isolation Options:            | Floating output or Class I earthed output (desktop models)                                         |
| Earth Continuity Test:        | < 0.1 ohm between AC inlet earth pin and PCB termination point                                     |
| Means of Protection:          | 2 x MOPP                                                                                           |
| Compliant Standards:          | See listing at the end of this document.                                                           |

## EMC

|                                          |                                                                                                                                  |
|------------------------------------------|----------------------------------------------------------------------------------------------------------------------------------|
| Applicable Standards:                    | Medical: EN60601-1-2, 4th edition<br>Emissions: EN55032, EN61000-6-3, EN61000-6-4<br>Immunity: EN55024, EN61000-6-1, EN61000-6-2 |
| Conducted Emissions:                     | Class B, FCC Part 15, Class B (with resistive load)                                                                              |
| Radiated Emissions:                      | Class B, FCC Part 15, Class B (with resistive load)                                                                              |
| Harmonic Current Voltage Distortion:     | EN61000-3-2, Class A                                                                                                             |
| Voltage Fluctuations/Flicker:            | EN61000-3-3                                                                                                                      |
| Electrostatic Discharge (ESD) Immunity:  | EN61000-4-2, 8KV contact discharge, 20KV air discharge                                                                           |
| Radiated RF Immunity:                    | EN61000-4-3, 10V/m 80-1000MHz, 3V/m 1-2.7GHz, 80% 1KHz AM                                                                        |
| EFT/Burst Immunity:                      | EN61000-4-4, 4KV/100kHz.                                                                                                         |
| Line Surge Immunity:                     | EN61000-4-5, 2KV differential, 4KV common-mode                                                                                   |
| Conducted RF Immunity:                   | EN61000-4-6, 3VRMS, 80% 1KHz AM                                                                                                  |
| Power Frequency Magnetic Field Immunity: | EN61000-4-8, 3A/m                                                                                                                |
| Voltage Dip Immunity:                    | EN61000-4-11                                                                                                                     |

## Enclosure

|                              |                                                                                                                                           |
|------------------------------|-------------------------------------------------------------------------------------------------------------------------------------------|
| Housing:                     | High impact plastic, 94V0 polycarbonate, non-vented                                                                                       |
| AC Input Mechanical Options: | Wall plug-in, changeable blades (Class II only)<br>Desktop housing, extended housing: C6, C8, C14, or C18 IEC inlet (Class I or Class II) |
| Markings:                    | Label or laser printed                                                                                                                    |

|                                                                                                                                         |                                                                                                                                                                                                                                                                                                                                                                                                                                                                                                                                                                                                                                                                                                                                                                                                                                                                                                                                                                                                                                                                                                                                                                                                                                                                                                                                                                                             |              |
|-----------------------------------------------------------------------------------------------------------------------------------------|---------------------------------------------------------------------------------------------------------------------------------------------------------------------------------------------------------------------------------------------------------------------------------------------------------------------------------------------------------------------------------------------------------------------------------------------------------------------------------------------------------------------------------------------------------------------------------------------------------------------------------------------------------------------------------------------------------------------------------------------------------------------------------------------------------------------------------------------------------------------------------------------------------------------------------------------------------------------------------------------------------------------------------------------------------------------------------------------------------------------------------------------------------------------------------------------------------------------------------------------------------------------------------------------------------------------------------------------------------------------------------------------|--------------|
| <p>GlobTek, Inc.<br/>www.globtek.com<br/>186 Veterans Drive,<br/>Northvale, NJ 07647<br/>Tel. (201) 784-1000<br/>Fax (201) 784-0111</p> | <p>Drawing Title: GTM96180-1830-6.0-T2, ICT / ITE / Medical Power Supply/Class 2/Household Power Supply, Efficiency Level: USA DOE Level VI / Eco-design Directive 2009/125/EC, (EU) 2019/1782, Case Color/Style: GlobTek Black, Desktop/External, Regulated Switchmode AC-DC Power Supply AC Adaptor, Input Rating: 100-240V~, 50-60 Hz, IEC 60320/C8, Output Rating: 18W, 24.0V@0.75A, Output Configuration: 1500 mm, 18/2 Cond, Round Black, T-plug system (includes 5.5x2.5, 5.5x2.1, 3.5x1.3mm plugs in each kit), Ferrite: None, GlobTek Black, GT Cord # C3775, Pin Out: Polarity Configuration T00 All plugs are Medical Grade, Locking, Polarized once installed, and single use only. Product demonstration link: <a href="https://en.globtek.com/news/t00-changeable-output-plug-system-for-power-supplies">https://en.globtek.com/news/t00-changeable-output-plug-system-for-power-supplies</a> MOLDED CONNECTORS AVAILABLE, Blades/Input Cord: Not Applicable, Approvals: IP42; CB 62368; CB 60601-1; PSE; PSE; PSE; Fuse 60335; Fuse 60335; cETLus UL1310; CB 60335; CE; CCC; Double Insulation; ETL; S-Mark 60950; RCM; CB 61558-2-16; CAN ICES-3; FCC; WEEE; VCCI; Ukraine; RoHS; CB 60950; LPS 62368; 230V CoC Tier 2; EAC; UKCA; NrCAN (9V only); UL 1310; ETL 62368; cETLus 62368-1; Morocco; S-Mark 62368; cETLus 60601-1 3rd; CE; China RoHS; Level VI; LPS 60950;</p> |              |
|                                                                                                                                         | <p>Model No. GTM96180-1830-6.0-T2</p>                                                                                                                                                                                                                                                                                                                                                                                                                                                                                                                                                                                                                                                                                                                                                                                                                                                                                                                                                                                                                                                                                                                                                                                                                                                                                                                                                       |              |
|                                                                                                                                         | <p>Part No./Ordering No. TR9KI750T00-IMR6B</p>                                                                                                                                                                                                                                                                                                                                                                                                                                                                                                                                                                                                                                                                                                                                                                                                                                                                                                                                                                                                                                                                                                                                                                                                                                                                                                                                              | <p>Rev C</p> |

## Special Options

1. Removal of LED (optional)
2. Custom cord-sets (custom cord and/or connector types). Note: 5VDC USB power supplies with Micro-B or Type-C connectors have a voltage regulation specification of  $\pm 8\%$  (4.6V to 5.4V).
3. Custom markings
4. Short term output surge capability
5. Reduced leakage current versions (10uA max) for Type-CF medical applications and/or for AC noise sensitive equipment. (15W or less, 5 to 24V output voltage range.)
6. Tightened output voltage tolerance
7. Reduced output voltage ripple
8. Improved reliability PCB laminate with plated-through-holes for IPC610 Class 2 compliance
9. Custom housing colors
10. Quasi constant-current output for SLA (lead-acid) battery charging applications

TO ADDRESS SYSTEM-LEVEL EMI CONCERNS, FERRITE CHOKES/BEADS MAY BE ADDED/REVISED UPON REQUEST. A SAMPLE KIT OF GLOBTEK'S STANDARD FERRITES IS AVAILABLE UNDER GLOBTEK P/N: EMI-MITIGATION-KIT1

FOR ADDITIONAL INFORMATION, PLEASE READ OUR WHITE PAPER AT:

<https://en.globtek.com/technical-articles/ferrite-kit-radiated-emi-suppression-kit-for-globtek-power-supplies-cable-assemblies>

INGRESS PROTECTION: IP42

GlobTek, Inc.  
 www.globtek.com  
 186 Veterans Drive,  
 Northvale, NJ 07647  
 Tel. (201) 784-1000  
 Fax (201) 784-0111

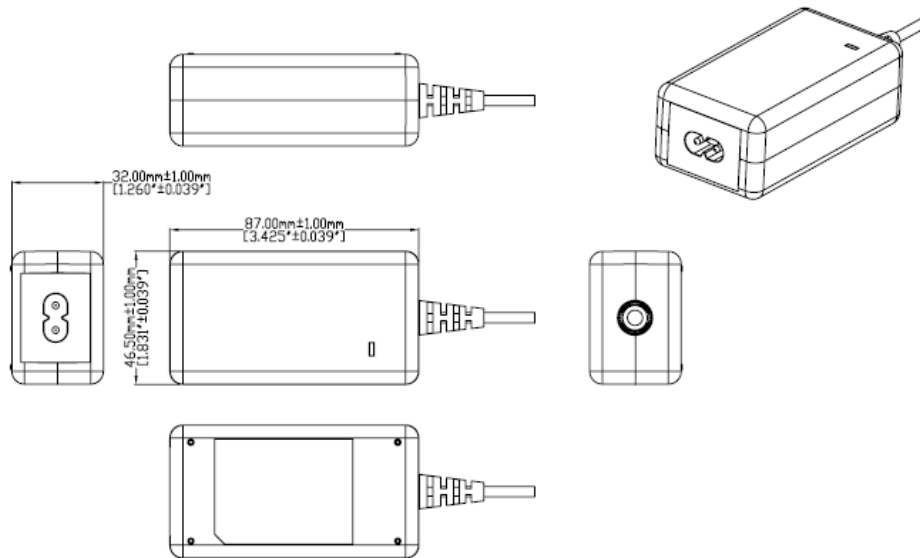
Drawing Title: GTM96180-1830-6.0-T2, ICT / ITE / Medical Power Supply/Class 2/Household Power Supply, Efficiency Level: USA DOE Level VI / Eco-design Directive 2009/125/EC, (EU) 2019/1782, Case Color/Style: GlobTek Black, Desktop/External, Regulated Switchmode AC-DC Power Supply AC Adaptor, Input Rating: 100-240V~, 50-60 Hz, IEC 60320/C8 , Output Rating: 18W, 24.0V@0.75A, Output Configuration: 1500 mm, 18/2 Cond, Round Black, T-plug system (includes 5.5x2.5, 5.5x2.1, 3.5x1.3mm plugs in each kit), Ferrite: None, GlobTek Black, GT Cord # C3775, Pin Out: Polarity Configuration T00 All plugs are Medical Grade, Locking, Polarized once installed, and single use only. Product demonstration link: <https://en.globtek.com/news/t00-changeable-output-plug-system-for-power-supplies> MOLDED CONNECTORS AVAILABLE, Blades/Input Cord: Not Applicable, Approvals: IP42; CB 62368; CB 60601-1; PSE; PSE; PSE; Fuse 60335; Fuse 60335; cETLus UL1310; CB 60335; CE; CCC; Double Insulation; ETL; S-Mark 60950; RCM; CB 61558-2-16; CAN ICES-3; FCC; WEEE; VCCI; Ukraine; RoHS; CB 60950; LPS 62368; 230V CoC Tier 2; EAC; UKCA; NrCAN (9V only); UL 1310; ETL 62368; cETLus 62368-1; Morocco; S-Mark 62368; cETLus 60601-1 3rd; CE; China RoHS; Level VI; LPS 60950;

Model No. GTM96180-1830-6.0-T2

Part No./Ordering No. TR9KI750T00-IMR6B

Rev C

3D File Download <https://www.globtek.com/dl/GTM96180-T2.igs>



GlobTek, Inc.  
 www.globtek.com  
 186 Veterans Drive,  
 Northvale, NJ 07647  
 Tel. (201) 784-1000  
 Fax (201) 784-0111

Drawing Title: GTM96180-1830-6.0-T2, ICT / ITE / Medical Power Supply/Class 2/Household Power Supply, Efficiency Level: USA DOE Level VI / Eco-design Directive 2009/125/EC, (EU) 2019/1782, Case Color/Style: GlobTek Black, Desktop/External, Regulated Switchmode AC-DC Power Supply AC Adaptor, Input Rating: 100-240V~, 50-60 Hz, IEC 60320/C8, Output Rating: 18W, 24.0V@0.75A, Output Configuration: 1500 mm, 18/2 Cond, Round Black, T-plug system (includes 5.5x2.5, 5.5x2.1, 3.5x1.3mm plugs in each kit), Ferrite: None, GlobTek Black, GT Cord # C3775, Pin Out: Polarity Configuration T00 All plugs are Medical Grade, Locking, Polarized once installed, and single use only. Product demonstration link: <https://en.globtek.com/news/t00-changeable-output-plug-system-for-power-supplies> MOLDED CONNECTORS AVAILABLE, Blades/Input Cord: Not Applicable, Approvals: IP42; CB 62368; CB 60601-1; PSE; PSE; PSE; Fuse 60335; Fuse 60335; cETLus UL1310; CB 60335; CE; CCC; Double Insulation; ETL; S-Mark 60950; RCM; CB 61558-2-16; CAN ICES-3; FCC; WEEE; VCCI; Ukraine; RoHS; CB 60950; LPS 62368; 230V CoC Tier 2; EAC; UKCA; NrCAN (9V only); UL 1310; ETL 62368; cETLus 62368-1; Morocco; S-Mark 62368; cETLus 60601-1 3rd; CE; China RoHS; Level VI; LPS 60950;

Model No. GTM96180-1830-6.0-T2

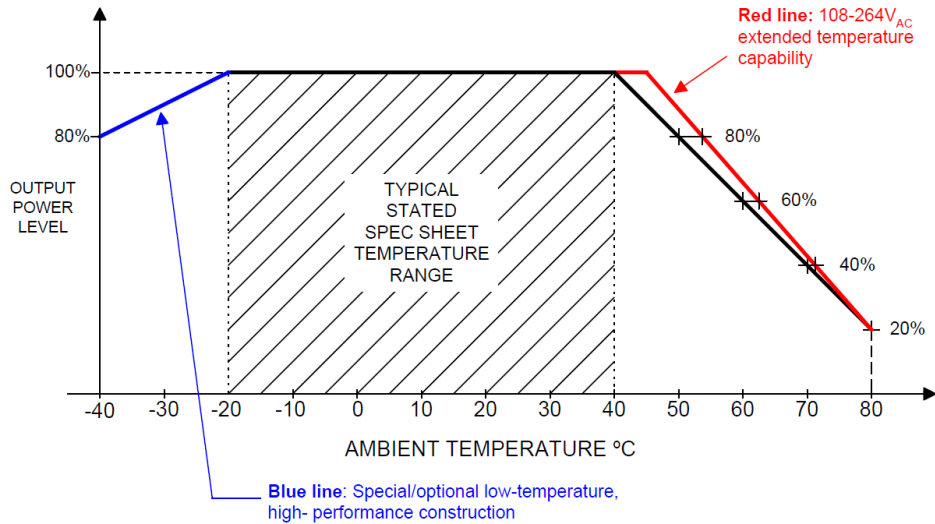
Part No./Ordering No. TR9KI750T00-IMR6B

Rev C

## DERATING CURVE

### POWER SUPPLY DERATING CURVE

(For GTM96180 18W Energy Level VI Power Supplies)





|                                                                                                                                         |                                                                                                                                                                                                                                                                                                                                                                                                                                                                                                                                                                                                                                                                                                                                                                                                                                                                                                                                                                                                                                                                                                                                                                                                                                                                                                                                                                                             |              |
|-----------------------------------------------------------------------------------------------------------------------------------------|---------------------------------------------------------------------------------------------------------------------------------------------------------------------------------------------------------------------------------------------------------------------------------------------------------------------------------------------------------------------------------------------------------------------------------------------------------------------------------------------------------------------------------------------------------------------------------------------------------------------------------------------------------------------------------------------------------------------------------------------------------------------------------------------------------------------------------------------------------------------------------------------------------------------------------------------------------------------------------------------------------------------------------------------------------------------------------------------------------------------------------------------------------------------------------------------------------------------------------------------------------------------------------------------------------------------------------------------------------------------------------------------|--------------|
| <p>GlobTek, Inc.<br/>www.globtek.com<br/>186 Veterans Drive,<br/>Northvale, NJ 07647<br/>Tel. (201) 784-1000<br/>Fax (201) 784-0111</p> | <p>Drawing Title: GTM96180-1830-6.0-T2, ICT / ITE / Medical Power Supply/Class 2/Household Power Supply, Efficiency Level: USA DOE Level VI / Eco-design Directive 2009/125/EC, (EU) 2019/1782, Case Color/Style: GlobTek Black, Desktop/External, Regulated Switchmode AC-DC Power Supply AC Adaptor, Input Rating: 100-240V~, 50-60 Hz, IEC 60320/C8, Output Rating: 18W, 24.0V@0.75A, Output Configuration: 1500 mm, 18/2 Cond, Round Black, T-plug system (includes 5.5x2.5, 5.5x2.1, 3.5x1.3mm plugs in each kit), Ferrite: None, GlobTek Black, GT Cord # C3775, Pin Out: Polarity Configuration T00 All plugs are Medical Grade, Locking, Polarized once installed, and single use only. Product demonstration link: <a href="https://en.globtek.com/news/t00-changeable-output-plug-system-for-power-supplies">https://en.globtek.com/news/t00-changeable-output-plug-system-for-power-supplies</a> MOLDED CONNECTORS AVAILABLE, Blades/Input Cord: Not Applicable, Approvals: IP42; CB 62368; CB 60601-1; PSE; PSE; PSE; Fuse 60335; Fuse 60335; cETLus UL1310; CB 60335; CE; CCC; Double Insulation; ETL; S-Mark 60950; RCM; CB 61558-2-16; CAN ICES-3; FCC; WEEE; VCCI; Ukraine; RoHS; CB 60950; LPS 62368; 230V CoC Tier 2; EAC; UKCA; NrCAN (9V only); UL 1310; ETL 62368; cETLus 62368-1; Morocco; S-Mark 62368; cETLus 60601-1 3rd; CE; China RoHS; Level VI; LPS 60950;</p> |              |
|                                                                                                                                         | <p>Model No. GTM96180-1830-6.0-T2</p>                                                                                                                                                                                                                                                                                                                                                                                                                                                                                                                                                                                                                                                                                                                                                                                                                                                                                                                                                                                                                                                                                                                                                                                                                                                                                                                                                       |              |
|                                                                                                                                         | <p>Part No./Ordering No. TR9KI750T00-IMR6B</p>                                                                                                                                                                                                                                                                                                                                                                                                                                                                                                                                                                                                                                                                                                                                                                                                                                                                                                                                                                                                                                                                                                                                                                                                                                                                                                                                              | <p>Rev C</p> |

**INPUT CONFIGURATION**

(F1) Class II / Double Insulated

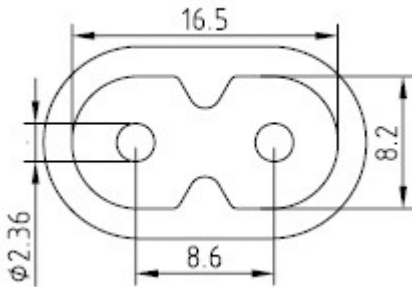


[Alternate grounding configurations](#) available upon request.

Blades/Cord Included:N/A:Not Applicable

Blades/Cord Installed:N/A:Not Applicable

IEC 60320/C8 AC Inlet connector, Class II, Non-Earth Ground (aka "Figure-8")



Mates with IEC 60320/C7 Plug

Below are standard cordsets which are "not included" (unless stated above); these may be purchased separately or packaged with the power supply. Please contact your Sales Engineer if the style required is not shown below. Many more available in different lengths, colors or cable material.

[Standard International IEC 320/C7 Cordsets](#)

| Part Number                     | Type                | Standard  | Connector  | Length (mm) | Length (feet) |
|---------------------------------|---------------------|-----------|------------|-------------|---------------|
| <a href="#">2094112M703(R)</a>  | Argentina (Type I)  | IRAM 2063 | IEC 320/C7 | 2000        | 7             |
| <a href="#">5014112M703A(R)</a> | Australian (Type I) | AS 3112   | IEC 320/C7 | 2000        | 7             |
|                                 |                     |           | IEC        |             |               |

|                                                                                                                            |                                                                                                                                                                                                                                                                                                                                                                                                                                                                                                                                                                                                                                                                                                                                                                                                                                                                                                                                                                                                                                                                                                                                                                                                                                                                                                                                                                                          |       |
|----------------------------------------------------------------------------------------------------------------------------|------------------------------------------------------------------------------------------------------------------------------------------------------------------------------------------------------------------------------------------------------------------------------------------------------------------------------------------------------------------------------------------------------------------------------------------------------------------------------------------------------------------------------------------------------------------------------------------------------------------------------------------------------------------------------------------------------------------------------------------------------------------------------------------------------------------------------------------------------------------------------------------------------------------------------------------------------------------------------------------------------------------------------------------------------------------------------------------------------------------------------------------------------------------------------------------------------------------------------------------------------------------------------------------------------------------------------------------------------------------------------------------|-------|
| GloTek, Inc.<br>www.globtek.com<br>186 Veterans Drive,<br>Northvale, NJ 07647<br>Tel. (201) 784-1000<br>Fax (201) 784-0111 | Drawing Title: GTM96180-1830-6.0-T2, ICT / ITE / Medical Power Supply/Class 2/Household Power Supply, Efficiency Level: USA DOE Level VI / Eco-design Directive 2009/125/EC, (EU) 2019/1782, Case Color/Style: GlobTek Black, Desktop/External, Regulated Switchmode AC-DC Power Supply AC Adaptor, Input Rating: 100-240V~, 50-60 Hz, IEC 60320/C8 , Output Rating: 18W, 24.0V@0.75A, Output Configuration: 1500 mm, 18/2 Cond, Round Black, T-plug system (includes 5.5x2.5, 5.5x2.1, 3.5x1.3mm plugs in each kit), Ferrite: None, GlobTek Black, GT Cord # C3775, Pin Out: Polarity Configuration T00 All plugs are Medical Grade, Locking, Polarized once installed, and single use only. Product demonstration link:<br><a href="https://en.globtek.com/news/t00-changeable-output-plug-system-for-power-supplies">https://en.globtek.com/news/t00-changeable-output-plug-system-for-power-supplies</a> MOLDED CONNECTORS AVAILABLE, Blades/Input Cord: Not Applicable, Approvals: IP42; CB 62368; CB 60601-1; PSE; PSE; PSE; Fuse 60335; Fuse 60335; cETLus UL1310; CB 60335; CE; CCC; Double Insulation; ETL; S-Mark 60950; RCM; CB 61558-2-16; CAN ICES-3; FCC; WEEE; VCCI; Ukraine; RoHS; CB 60950; LPS 62368; 230V CoC Tier 2; EAC; UKCA; NrCAN (9V only); UL 1310; ETL 62368; cETLus 62368-1; Morocco; S-Mark 62368; cETLus 60601-1 3rd; CE; China RoHS; Level VI; LPS 60950; |       |
|                                                                                                                            | Model No. GTM96180-1830-6.0-T2                                                                                                                                                                                                                                                                                                                                                                                                                                                                                                                                                                                                                                                                                                                                                                                                                                                                                                                                                                                                                                                                                                                                                                                                                                                                                                                                                           |       |
|                                                                                                                            | Part No./Ordering No. TR9KI750T00-IMR6B                                                                                                                                                                                                                                                                                                                                                                                                                                                                                                                                                                                                                                                                                                                                                                                                                                                                                                                                                                                                                                                                                                                                                                                                                                                                                                                                                  | Rev C |

|                                  |                                                                                                           |                       |      |   |
|----------------------------------|-----------------------------------------------------------------------------------------------------------|-----------------------|------|---|
| <a href="#">207B4111M8703(R)</a> | Brazil (Type N)                                                                                           | NBR14136320/C7        | 1800 | 6 |
| <a href="#">4533501M8703(R)</a>  | China (Type A)                                                                                            | GB 2099.1 IEC 320/C7  | 1830 | 6 |
| <a href="#">2074112M703A(R)</a>  | European (Type C)                                                                                         | CEE 7/16 IEC 320/C7   | 2000 | 7 |
| <a href="#">2084111M8703B(R)</a> | India (Type D)                                                                                            | IS 1293 IEC 320/C7    | 1800 | 6 |
| <a href="#">451J3401M8703(R)</a> | Japan (Type A)                                                                                            | JIS 8303 IEC 320/C7   | 1830 | 6 |
| <a href="#">2044112M703A(R)</a>  | Korea (Type C)                                                                                            | KS C8305 IEC 320/C7   | 2000 | 7 |
| <a href="#">4511116F703A(R)</a>  | North America (Type A)                                                                                    | NEMA 1-15P IEC 320/C7 | 1830 | 6 |
| <a href="#">2084111M8703(R)</a>  | South Africa (Type M)                                                                                     | BS 546 IEC320/C7      | 1830 | 6 |
| <a href="#">4033401M8703A(R)</a> | Taiwan (Type A)                                                                                           | CNS690 IEC 320/C7     | 1830 | 6 |
| <a href="#">6104112M703A(R)</a>  | UK, Hong Kong, Singapore, Gulf States (Type G)                                                            | BS1363 IEC 320/C7     | 2000 | 7 |
| <a href="#">451G1116F703A(R)</a> | Gulf States (Kuwait, Bahrain, Oman, Qatar, Saudi Arabia, Yemen and the United Arab Emirates (UAE)(Type A) | Nema 1-15P IEC320/C7  | 1830 | 6 |

|                                                                                                                                         |                                                                                                                                                                                                                                                                                                                                                                                                                                                                                                                                                                                                                                                                                                                                                                                                                                                                                                                                                                                                                                                                                                                                                                                                                                                                                                                                                                                              |              |
|-----------------------------------------------------------------------------------------------------------------------------------------|----------------------------------------------------------------------------------------------------------------------------------------------------------------------------------------------------------------------------------------------------------------------------------------------------------------------------------------------------------------------------------------------------------------------------------------------------------------------------------------------------------------------------------------------------------------------------------------------------------------------------------------------------------------------------------------------------------------------------------------------------------------------------------------------------------------------------------------------------------------------------------------------------------------------------------------------------------------------------------------------------------------------------------------------------------------------------------------------------------------------------------------------------------------------------------------------------------------------------------------------------------------------------------------------------------------------------------------------------------------------------------------------|--------------|
| <p>GlobTek, Inc.<br/>www.globtek.com<br/>186 Veterans Drive,<br/>Northvale, NJ 07647<br/>Tel. (201) 784-1000<br/>Fax (201) 784-0111</p> | <p>Drawing Title: GTM96180-1830-6.0-T2, ICT / ITE / Medical Power Supply/Class 2/Household Power Supply, Efficiency Level: USA DOE Level VI / Eco-design Directive 2009/125/EC, (EU) 2019/1782, Case Color/Style: GlobTek Black, Desktop/External, Regulated Switchmode AC-DC Power Supply AC Adaptor, Input Rating: 100-240V~, 50-60 Hz, IEC 60320/C8 , Output Rating: 18W, 24.0V@0.75A, Output Configuration: 1500 mm, 18/2 Cond, Round Black, T-plug system (includes 5.5x2.5, 5.5x2.1, 3.5x1.3mm plugs in each kit), Ferrite: None, GlobTek Black, GT Cord # C3775, Pin Out: Polarity Configuration T00 All plugs are Medical Grade, Locking, Polarized once installed, and single use only. Product demonstration link: <a href="https://en.globtek.com/news/t00-changeable-output-plug-system-for-power-supplies">https://en.globtek.com/news/t00-changeable-output-plug-system-for-power-supplies</a> MOLDED CONNECTORS AVAILABLE, Blades/Input Cord: Not Applicable, Approvals: IP42; CB 62368; CB 60601-1; PSE; PSE; PSE; Fuse 60335; Fuse 60335; cETLus UL1310; CB 60335; CE; CCC; Double Insulation; ETL; S-Mark 60950; RCM; CB 61558-2-16; CAN ICES-3; FCC; WEEE; VCCI; Ukraine; RoHS; CB 60950; LPS 62368; 230V CoC Tier 2; EAC; UKCA; NrCAN (9V only); UL 1310; ETL 62368; cETLus 62368-1; Morocco; S-Mark 62368; cETLus 60601-1 3rd; CE; China RoHS; Level VI; LPS 60950;</p> |              |
|                                                                                                                                         | <p>Model No. GTM96180-1830-6.0-T2</p>                                                                                                                                                                                                                                                                                                                                                                                                                                                                                                                                                                                                                                                                                                                                                                                                                                                                                                                                                                                                                                                                                                                                                                                                                                                                                                                                                        |              |
|                                                                                                                                         | <p>Part No./Ordering No. TR9KI750T00-IMR6B</p>                                                                                                                                                                                                                                                                                                                                                                                                                                                                                                                                                                                                                                                                                                                                                                                                                                                                                                                                                                                                                                                                                                                                                                                                                                                                                                                                               | <p>Rev C</p> |

**OUTPUT CORD AND CONNECTOR: T00/C3775**

ACTUAL CONNECTORS, OVERMOLDS, FERRITES MAY VARY SLIGHTLY FROM THE PICTURE BELOW

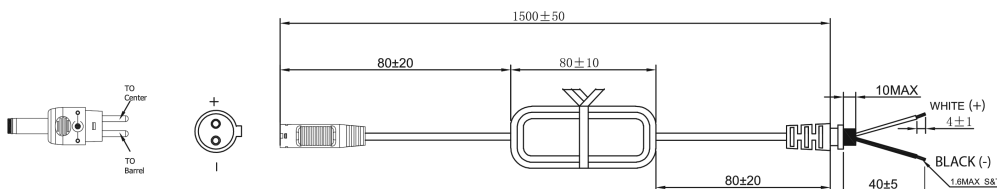
|                                      |                                                                                                                                                                                                                                                                                                                                                                               |
|--------------------------------------|-------------------------------------------------------------------------------------------------------------------------------------------------------------------------------------------------------------------------------------------------------------------------------------------------------------------------------------------------------------------------------|
| CABLE TYPE                           | Round Black                                                                                                                                                                                                                                                                                                                                                                   |
| CABLE LENGTH (mm)                    | 1500                                                                                                                                                                                                                                                                                                                                                                          |
| CABLE TOLERANCE (mm)                 | ± 50                                                                                                                                                                                                                                                                                                                                                                          |
| WIRE GAUGE (AWG)                     | 18                                                                                                                                                                                                                                                                                                                                                                            |
| CONDUCTORS                           | 2                                                                                                                                                                                                                                                                                                                                                                             |
| HANK DIMENSION (mm)                  | 80 ± 10                                                                                                                                                                                                                                                                                                                                                                       |
| CABLE / CONNECTOR OVERMOLD COLOR     | GlobTek Black                                                                                                                                                                                                                                                                                                                                                                 |
| FERRITE TYPE / DIMENSION             | None                                                                                                                                                                                                                                                                                                                                                                          |
| FERRITE # OF TURNS(Definition)       | N/A                                                                                                                                                                                                                                                                                                                                                                           |
| FERRITE DIMENSION FROM STRAIN RELIEF | N/A                                                                                                                                                                                                                                                                                                                                                                           |
| FERRITE DIMENSION FROM PLUG          | N/A                                                                                                                                                                                                                                                                                                                                                                           |
| PLUG TYPE                            | T-plug system (includes 5.5x2.5, 5.5x2.1, 3.5x1.3mm plugs in each kit)                                                                                                                                                                                                                                                                                                        |
| OUTPUT CONNECTOR GENDER              | not applicable                                                                                                                                                                                                                                                                                                                                                                |
| OVERMOLDED                           | Yes                                                                                                                                                                                                                                                                                                                                                                           |
| OVER MOLD ORIENTATION                | Straight                                                                                                                                                                                                                                                                                                                                                                      |
| CONNECTOR PIN OUT:                   | <p>Polarity Configuration T00 All plugs are Medical Grade, Locking, Polarized once installed, and single use only.</p> <p>Product demonstration link:<br/><a href="https://en.globtek.com/news/t00-changeable-output-plug-system-for-power-supplies">https://en.globtek.com/news/t00-changeable-output-plug-system-for-power-supplies</a><br/>MOLDED CONNECTORS AVAILABLE</p> |

**ADDITIONAL REQUIREMENTS** UL1310 Warning Label Up To 36 Volts with plugs

This novel system allows for rapid shipment of prototype samples or small quantities of common output voltage and current which can fulfill the needs of most common barrel plug specs. The table below explains the standard and non standard options available as part of this system. This system also allows for both Center Positive and Center Negative polarity.

The T00 plug and adapters are Medical Grade, single use only, Polarized after installation, and not removable without use of special tool.

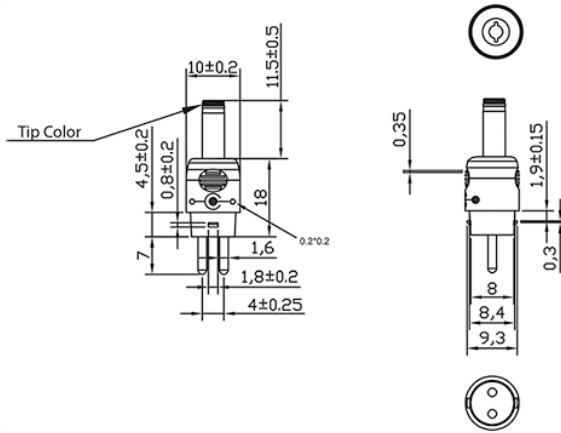
Any of the below options, and more, are available as molded plugs from stock or special order. Please contact GlobTek for more information.



Cable OD 4.8 ± 0.15 mm

Individual conductor (Black & White) OD value of this 18 AWG cable is 2.0 ± 0.1 mm

|                                                                                                                                         |                                                                                                                                                                                                                                                                                                                                                                                                                                                                                                                                                                                                                                                                                                                                                                                                                                                                                                                                                                                                                                                                                                                                                                                                                                                                                                                                                                                             |              |
|-----------------------------------------------------------------------------------------------------------------------------------------|---------------------------------------------------------------------------------------------------------------------------------------------------------------------------------------------------------------------------------------------------------------------------------------------------------------------------------------------------------------------------------------------------------------------------------------------------------------------------------------------------------------------------------------------------------------------------------------------------------------------------------------------------------------------------------------------------------------------------------------------------------------------------------------------------------------------------------------------------------------------------------------------------------------------------------------------------------------------------------------------------------------------------------------------------------------------------------------------------------------------------------------------------------------------------------------------------------------------------------------------------------------------------------------------------------------------------------------------------------------------------------------------|--------------|
| <p>GlobTek, Inc.<br/>www.globtek.com<br/>186 Veterans Drive,<br/>Northvale, NJ 07647<br/>Tel. (201) 784-1000<br/>Fax (201) 784-0111</p> | <p>Drawing Title: GTM96180-1830-6.0-T2, ICT / ITE / Medical Power Supply/Class 2/Household Power Supply, Efficiency Level: USA DOE Level VI / Eco-design Directive 2009/125/EC, (EU) 2019/1782, Case Color/Style: GlobTek Black, Desktop/External, Regulated Switchmode AC-DC Power Supply AC Adaptor, Input Rating: 100-240V~, 50-60 Hz, IEC 60320/C8, Output Rating: 18W, 24.0V@0.75A, Output Configuration: 1500 mm, 18/2 Cond, Round Black, T-plug system (includes 5.5x2.5, 5.5x2.1, 3.5x1.3mm plugs in each kit), Ferrite: None, GlobTek Black, GT Cord # C3775, Pin Out: Polarity Configuration T00 All plugs are Medical Grade, Locking, Polarized once installed, and single use only. Product demonstration link: <a href="https://en.globtek.com/news/t00-changeable-output-plug-system-for-power-supplies">https://en.globtek.com/news/t00-changeable-output-plug-system-for-power-supplies</a> MOLDED CONNECTORS AVAILABLE, Blades/Input Cord: Not Applicable, Approvals: IP42; CB 62368; CB 60601-1; PSE; PSE; PSE; Fuse 60335; Fuse 60335; cETLus UL1310; CB 60335; CE; CCC; Double Insulation; ETL; S-Mark 60950; RCM; CB 61558-2-16; CAN ICES-3; FCC; WEEE; VCCI; Ukraine; RoHS; CB 60950; LPS 62368; 230V CoC Tier 2; EAC; UKCA; NrCAN (9V only); UL 1310; ETL 62368; cETLus 62368-1; Morocco; S-Mark 62368; cETLus 60601-1 3rd; CE; China RoHS; Level VI; LPS 60950;</p> |              |
|                                                                                                                                         | <p>Model No. GTM96180-1830-6.0-T2</p>                                                                                                                                                                                                                                                                                                                                                                                                                                                                                                                                                                                                                                                                                                                                                                                                                                                                                                                                                                                                                                                                                                                                                                                                                                                                                                                                                       |              |
|                                                                                                                                         | <p>Part No./Ordering No. TR9KI750T00-IMR6B</p>                                                                                                                                                                                                                                                                                                                                                                                                                                                                                                                                                                                                                                                                                                                                                                                                                                                                                                                                                                                                                                                                                                                                                                                                                                                                                                                                              | <p>Rev C</p> |



| Part #                             | CROSS REFERENCE    | OUTER DIAMETER | INNER DIAMETER | PIN    | LENGTH | FORM FACTOR | MALE/FEMALE | INCLUDED IN T00 KIT | TIP COLOR |
|------------------------------------|--------------------|----------------|----------------|--------|--------|-------------|-------------|---------------------|-----------|
| <a href="#">T-K-11-S(R)</a>        | Philmore® 204/2049 | 3.5            | 1.3            | -      | 11     | STRAIGHT    | Female      | x                   | Blue      |
| <a href="#">T-EJ2-95-S(R)</a>      | Philmore® 240 plug | 4              | 1.7            | -      | 9.5    | STRAIGHT    | Female      | Order Separately    | Brown     |
| <a href="#">T-EJ3-95-S(R)</a>      | Philmore® 275 plug | 4.75           | 1.7            | -      | 9.5    | STRAIGHT    | Female      | Order Separately    | Red       |
| <a href="#">T-C-95-S(R)</a>        | Switchcraft® 722A  | 5.5            | 2.1            | -      | 9.5    | STRAIGHT    | Female      | Order Separately    | Yellow    |
| <a href="#">T-C-12-S(R)</a>        | Switchcraft® 722A  | 5.5            | 2.1            | -      | 12     | STRAIGHT    | Female      | x                   | Yellow    |
| <a href="#">T-L-95-S(R)</a>        | Switchcraft® 712A  | 5.5            | 2.5            | -      | 9.5    | STRAIGHT    | Female      | Order Separately    | Black     |
| <a href="#">T-L-12-S(R)</a>        | Switchcraft® 712A  | 5.5            | 2.5            | -      | 12     | STRAIGHT    | Female      | x                   | Black     |
| <a href="#">T-EJ4-95-S(R)</a>      | Philmore® 255 plug | 5.5            | 3.3            | 1      | 9.5    | STRAIGHT    | Female      | Order Separately    | Orange    |
| <a href="#">T-EJ1-95-S(R)</a>      | Philmore® 235 plug | 2.35           | 0.7            | -      | 9.5    | STRAIGHT    | Female      | Order Separately    | Yellow    |
|                                    | CUI PP3-017/       |                |                |        |        |             |             |                     |           |
| <a href="#">T-3.2-0.9-9.0-S(R)</a> | PP-017             | 3.2            | 0.9            | -      | 9      | STRAIGHT    | Female      | Order Separately    | Black     |
| <a href="#">T-P-S-STER-14(R)</a>   | CUI SP-3501        | 3.5            | -              | Stereo | 14     | STRAIGHT    | Male        | Order Separately    | -         |
| <a href="#">T-P-S-MONO-14(R)</a>   | CUI MP3-3501       | 3.5            | -              | Mono   | 14     | STRAIGHT    | Male        | Order Separately    | -         |
| <a href="#">T-S-S-MONO-11(R)</a>   | CUI MP3-2501       | 2.5            | -              | Mono   | 11     | STRAIGHT    | Male        | Order Separately    | -         |
| <a href="#">T-S-S-STER-11(R)</a>   | CUI SP-25401       | 2.5            | -              | Stereo | 11     | STRAIGHT    | Male        | Order Separately    | -         |

Option upon request: STRAIGHT Female Barrels are available for special order in any length between 9mm-14mm

|                                                                                                                             |                                                                                                                                                                                                                                                                                                                                                                                                                                                                                                                                                                                                                                                                                                                                                                                                                                                                                                                                                                                                                                                                                                                                                                                                                                                                                                                                                                                       |       |
|-----------------------------------------------------------------------------------------------------------------------------|---------------------------------------------------------------------------------------------------------------------------------------------------------------------------------------------------------------------------------------------------------------------------------------------------------------------------------------------------------------------------------------------------------------------------------------------------------------------------------------------------------------------------------------------------------------------------------------------------------------------------------------------------------------------------------------------------------------------------------------------------------------------------------------------------------------------------------------------------------------------------------------------------------------------------------------------------------------------------------------------------------------------------------------------------------------------------------------------------------------------------------------------------------------------------------------------------------------------------------------------------------------------------------------------------------------------------------------------------------------------------------------|-------|
| GlobTek, Inc.<br>www.globtek.com<br>186 Veterans Drive,<br>Northvale, NJ 07647<br>Tel. (201) 784-1000<br>Fax (201) 784-0111 | Drawing Title: GTM96180-1830-6.0-T2, ICT / ITE / Medical Power Supply/Class 2/Household Power Supply, Efficiency Level: USA DOE Level VI / Eco-design Directive 2009/125/EC, (EU) 2019/1782, Case Color/Style: GlobTek Black, Desktop/External, Regulated Switchmode AC-DC Power Supply AC Adaptor, Input Rating: 100-240V~, 50-60 Hz, IEC 60320/C8 , Output Rating: 18W, 24.0V@0.75A, Output Configuration: 1500 mm, 18/2 Cond, Round Black, T-plug system (includes 5.5x2.5, 5.5x2.1, 3.5x1.3mm plugs in each kit), Ferrite: None, GlobTek Black, GT Cord # C3775, Pin Out: Polarity Configuration T00 All plugs are Medical Grade, Locking, Polarized once installed, and single use only. Product demonstration link: <a href="https://en.globtek.com/news/t00-changeable-output-plug-system-for-power-supplies">https://en.globtek.com/news/t00-changeable-output-plug-system-for-power-supplies</a> MOLDED CONNECTORS AVAILABLE, Blades/Input Cord: Not Applicable, Approvals: IP42; CB 62368; CB 60601-1; PSE; PSE; PSE; Fuse 60335; Fuse 60335; cETLus UL1310; CB 60335; CE; CCC; Double Insulation; ETL; S-Mark 60950; RCM; CB 61558-2-16; CAN ICES-3; FCC; WEEE; VCCI; Ukraine; RoHS; CB 60950; LPS 62368; 230V CoC Tier 2; EAC; UKCA; NrCAN (9V only); UL 1310; ETL 62368; cETLus 62368-1; Morocco; S-Mark 62368; cETLus 60601-1 3rd; CE; China RoHS; Level VI; LPS 60950; |       |
|                                                                                                                             | Model No. GTM96180-1830-6.0-T2                                                                                                                                                                                                                                                                                                                                                                                                                                                                                                                                                                                                                                                                                                                                                                                                                                                                                                                                                                                                                                                                                                                                                                                                                                                                                                                                                        |       |
|                                                                                                                             | Part No./Ordering No. TR9KI750T00-IMR6B                                                                                                                                                                                                                                                                                                                                                                                                                                                                                                                                                                                                                                                                                                                                                                                                                                                                                                                                                                                                                                                                                                                                                                                                                                                                                                                                               | Rev C |

This novel system allows for rapid shipment of prototype samples or small quantities of common output voltage and current which can fulfill the needs of most common barrel plug as well as male plug specs. The table explains the standard and non-standard options available as part of this system. This system also allows for both Center Positive and Center Negative polarity.

The T00 plug and adapters are Medical Grade, single use only, Polarized after installation, and not removable without use of special tool.

Any of the below options, and more, are available as molded plugs from stock or special order. Please contact GlobTek for more information

ADDITIONAL OUTPUT PLUG OPTIONS ARE AVAILABLE AT <https://www.globtek.com/connectors/>

STANDARD PLUGS AND CONNECTORS CAN BE SEEN ONLINE AT <https://www.globtek.com/connectors/>

CALCULATE VOLTAGE REGULATION/DROP WITH OUR ONLINE CALCULATOR: <https://en.globtek.com/output-cable-regulation-calculator/>

|                                                                                                                                              |                                                                                                                                                                                                                                                                                                                                                                                                                                                                                                                                                                                                                                                                                                                                                                                                                                                                                                                                                                                                                                                                                                                                                                                                                                                                                                                                                                                                   |              |
|----------------------------------------------------------------------------------------------------------------------------------------------|---------------------------------------------------------------------------------------------------------------------------------------------------------------------------------------------------------------------------------------------------------------------------------------------------------------------------------------------------------------------------------------------------------------------------------------------------------------------------------------------------------------------------------------------------------------------------------------------------------------------------------------------------------------------------------------------------------------------------------------------------------------------------------------------------------------------------------------------------------------------------------------------------------------------------------------------------------------------------------------------------------------------------------------------------------------------------------------------------------------------------------------------------------------------------------------------------------------------------------------------------------------------------------------------------------------------------------------------------------------------------------------------------|--------------|
| <p>GlobTek, Inc.<br/> www.globtek.com<br/> 186 Veterans Drive,<br/> Northvale, NJ 07647<br/> Tel. (201) 784-1000<br/> Fax (201) 784-0111</p> | <p>Drawing Title: GTM96180-1830-6.0-T2, ICT / ITE / Medical Power Supply/Class 2/Household Power Supply, Efficiency Level: USA DOE Level VI / Eco-design Directive 2009/125/EC, (EU) 2019/1782, Case Color/Style: GlobTek Black, Desktop/External, Regulated Switchmode AC-DC Power Supply AC Adaptor, Input Rating: 100-240V~, 50-60 Hz, IEC 60320/C8 , Output Rating: 18W, 24.0V@0.75A, Output Configuration: 1500 mm, 18/2 Cond, Round Black, T-plug system (includes 5.5x2.5, 5.5x2.1, 3.5x1.3mm plugs in each kit), Ferrite: None, GlobTek Black, GT Cord # C3775, Pin Out: Polarity Configuration T00 All plugs are Medical Grade, Locking, Polarized once installed, and single use only. Product demonstration link:<br/> <a href="https://en.globtek.com/news/t00-changeable-output-plug-system-for-power-supplies">https://en.globtek.com/news/t00-changeable-output-plug-system-for-power-supplies</a> MOLDED CONNECTORS AVAILABLE, Blades/Input Cord: Not Applicable, Approvals: IP42; CB 62368; CB 60601-1; PSE; PSE; PSE; Fuse 60335; Fuse 60335; cETLus UL1310; CB 60335; CE; CCC; Double Insulation; ETL; S-Mark 60950; RCM; CB 61558-2-16; CAN ICES-3; FCC; WEEE; VCCI; Ukraine; RoHS; CB 60950; LPS 62368; 230V CoC Tier 2; EAC; UKCA; NrCAN (9V only); UL 1310; ETL 62368; cETLus 62368-1; Morocco; S-Mark 62368; cETLus 60601-1 3rd; CE; China RoHS; Level VI; LPS 60950;</p> |              |
|                                                                                                                                              | <p>Model No. GTM96180-1830-6.0-T2</p>                                                                                                                                                                                                                                                                                                                                                                                                                                                                                                                                                                                                                                                                                                                                                                                                                                                                                                                                                                                                                                                                                                                                                                                                                                                                                                                                                             |              |
|                                                                                                                                              | <p>Part No./Ordering No. TR9KI750T00-IMR6B</p>                                                                                                                                                                                                                                                                                                                                                                                                                                                                                                                                                                                                                                                                                                                                                                                                                                                                                                                                                                                                                                                                                                                                                                                                                                                                                                                                                    | <p>Rev C</p> |

**OUTPUT CONNECTOR HOOK UP**

TO ADDRESS SYSTEM-LEVEL EMI CONCERNS, FERRITE CHOKES/BEADS MAY BE ADDED/REVISED UPON REQUEST. A SAMPLE KIT OF GLOBTEK'S STANDARD FERRITES IS AVAILABLE UNDER GLOBTEK P/N: EMI-MITIGATION-KIT1

FOR ADDITIONAL INFORMATION, PLEASE READ OUR WHITE PAPER AT:

<https://en.globtek.com/technical-articles/ferrite-kit-radiated-emi-suppression-kit-for-globtek-power-supplies-cable-assemblies>

|                                                                                                                                    |                                                                                                                                                                                                                                                                                                                                                                                                                                                                                                                                                                                                                                                                                                                                                                                                                                                                                                                                                                                                                                                                                                                                                                                                                                                                                                                                                                                       |
|------------------------------------------------------------------------------------------------------------------------------------|---------------------------------------------------------------------------------------------------------------------------------------------------------------------------------------------------------------------------------------------------------------------------------------------------------------------------------------------------------------------------------------------------------------------------------------------------------------------------------------------------------------------------------------------------------------------------------------------------------------------------------------------------------------------------------------------------------------------------------------------------------------------------------------------------------------------------------------------------------------------------------------------------------------------------------------------------------------------------------------------------------------------------------------------------------------------------------------------------------------------------------------------------------------------------------------------------------------------------------------------------------------------------------------------------------------------------------------------------------------------------------------|
| <b>GlobTek, Inc.</b><br>www.globtek.com<br>186 Veterans Drive,<br>Northvale, NJ 07647<br>Tel. (201) 784-1000<br>Fax (201) 784-0111 | Drawing Title: GTM96180-1830-6.0-T2, ICT / ITE / Medical Power Supply/Class 2/Household Power Supply, Efficiency Level: USA DOE Level VI / Eco-design Directive 2009/125/EC, (EU) 2019/1782, Case Color/Style: GlobTek Black, Desktop/External, Regulated Switchmode AC-DC Power Supply AC Adaptor, Input Rating: 100-240V~, 50-60 Hz, IEC 60320/C8 , Output Rating: 18W, 24.0V@0.75A, Output Configuration: 1500 mm, 18/2 Cond, Round Black, T-plug system (includes 5.5x2.5, 5.5x2.1, 3.5x1.3mm plugs in each kit), Ferrite: None, GlobTek Black, GT Cord # C3775, Pin Out: Polarity Configuration T00 All plugs are Medical Grade, Locking, Polarized once installed, and single use only. Product demonstration link: <a href="https://en.globtek.com/news/t00-changeable-output-plug-system-for-power-supplies">https://en.globtek.com/news/t00-changeable-output-plug-system-for-power-supplies</a> MOLDED CONNECTORS AVAILABLE, Blades/Input Cord: Not Applicable, Approvals: IP42; CB 62368; CB 60601-1; PSE; PSE; PSE; Fuse 60335; Fuse 60335; cETLus UL1310; CB 60335; CE; CCC; Double Insulation; ETL; S-Mark 60950; RCM; CB 61558-2-16; CAN ICES-3; FCC; WEEE; VCCI; Ukraine; RoHS; CB 60950; LPS 62368; 230V CoC Tier 2; EAC; UKCA; NrCAN (9V only); UL 1310; ETL 62368; cETLus 62368-1; Morocco; S-Mark 62368; cETLus 60601-1 3rd; CE; China RoHS; Level VI; LPS 60950; |
|                                                                                                                                    | Model No. GTM96180-1830-6.0-T2                                                                                                                                                                                                                                                                                                                                                                                                                                                                                                                                                                                                                                                                                                                                                                                                                                                                                                                                                                                                                                                                                                                                                                                                                                                                                                                                                        |
|                                                                                                                                    | Part No./Ordering No. TR9KI750T00-IMR6B <span style="float: right;">Rev C</span>                                                                                                                                                                                                                                                                                                                                                                                                                                                                                                                                                                                                                                                                                                                                                                                                                                                                                                                                                                                                                                                                                                                                                                                                                                                                                                      |

**LABEL:L-1186**

|                                 |                                                                                                                                            |
|---------------------------------|--------------------------------------------------------------------------------------------------------------------------------------------|
| LABEL P/N:                      | Standard GT                                                                                                                                |
| MATERIAL:                       | Flat Thermal Transfer, Imprintable, Polyester Label and/or Pad Printed and/or Molded, and/or Laser Engraved in the case                    |
| BACKGROUND COLOR:               | Black if housing is Black, White or Silver if housing is White or Gray.                                                                    |
| TEXT COLOR:                     | White or Silver if label is Black Background for Black housing. Black if label is White or Silver background and Housing is White or Gray. |
| LABEL WIDTH (mm):               | 36.5                                                                                                                                       |
| LABEL HEIGHT (mm):              | 48.5                                                                                                                                       |
| SPECIAL BARCODE LABEL MATERIAL: | No                                                                                                                                         |

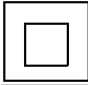

Below is the minimum information which will appear on the label. NOTE: in the logo area additional/actual positioning of symbols and text is subjected to change as per agency updates/requirements or additional model approvals become available. Regulatory certifications/label markings may be in logo area on the label or molded into the case housing outside the label area. Information will be shown via label and/or pad printed and/or molded and/or laser engraved in the case. \* Date code markings at GlobTek option



or  
**DATE CODE B \*:**  
WWYY  
WW = WEEK  
YY = YEAR

- A=ICT / ITE / Medical Power Supply/Class 2/Household Power Supply
- B=P/N: (料号) TR9KI750T00-IMR6B
- C=Model (型号) GTM96180-1830-6.0-T2
- D=Input (输入)100-240V~, 50-60 Hz, 0.6 A
- E=Output (输出)24.0 V  $\equiv$  0.75 A, 18.0W

|                                                                                                                                         |                                                                                                                                                                                                                                                                                                                                                                                                                                                                                                                                                                                                                                                                                                                                                                                                                                                                                                                                                                                                                                                                                                                                                                                                                                                                                                                                                                                              |              |
|-----------------------------------------------------------------------------------------------------------------------------------------|----------------------------------------------------------------------------------------------------------------------------------------------------------------------------------------------------------------------------------------------------------------------------------------------------------------------------------------------------------------------------------------------------------------------------------------------------------------------------------------------------------------------------------------------------------------------------------------------------------------------------------------------------------------------------------------------------------------------------------------------------------------------------------------------------------------------------------------------------------------------------------------------------------------------------------------------------------------------------------------------------------------------------------------------------------------------------------------------------------------------------------------------------------------------------------------------------------------------------------------------------------------------------------------------------------------------------------------------------------------------------------------------|--------------|
| <p>GlobTek, Inc.<br/>www.globtek.com<br/>186 Veterans Drive,<br/>Northvale, NJ 07647<br/>Tel. (201) 784-1000<br/>Fax (201) 784-0111</p> | <p>Drawing Title: GTM96180-1830-6.0-T2, ICT / ITE / Medical Power Supply/Class 2/Household Power Supply, Efficiency Level: USA DOE Level VI / Eco-design Directive 2009/125/EC, (EU) 2019/1782, Case Color/Style: GlobTek Black, Desktop/External, Regulated Switchmode AC-DC Power Supply AC Adaptor, Input Rating: 100-240V~, 50-60 Hz, IEC 60320/C8 , Output Rating: 18W, 24.0V@0.75A, Output Configuration: 1500 mm, 18/2 Cond, Round Black, T-plug system (includes 5.5x2.5, 5.5x2.1, 3.5x1.3mm plugs in each kit), Ferrite: None, GlobTek Black, GT Cord # C3775, Pin Out: Polarity Configuration T00 All plugs are Medical Grade, Locking, Polarized once installed, and single use only. Product demonstration link: <a href="https://en.globtek.com/news/t00-changeable-output-plug-system-for-power-supplies">https://en.globtek.com/news/t00-changeable-output-plug-system-for-power-supplies</a> MOLDED CONNECTORS AVAILABLE, Blades/Input Cord: Not Applicable, Approvals: IP42; CB 62368; CB 60601-1; PSE; PSE; PSE; Fuse 60335; Fuse 60335; cETLus UL1310; CB 60335; CE; CCC; Double Insulation; ETL; S-Mark 60950; RCM; CB 61558-2-16; CAN ICES-3; FCC; WEEE; VCCI; Ukraine; RoHS; CB 60950; LPS 62368; 230V CoC Tier 2; EAC; UKCA; NrCAN (9V only); UL 1310; ETL 62368; cETLus 62368-1; Morocco; S-Mark 62368; cETLus 60601-1 3rd; CE; China RoHS; Level VI; LPS 60950;</p> |              |
|                                                                                                                                         | <p>Model No. GTM96180-1830-6.0-T2</p>                                                                                                                                                                                                                                                                                                                                                                                                                                                                                                                                                                                                                                                                                                                                                                                                                                                                                                                                                                                                                                                                                                                                                                                                                                                                                                                                                        |              |
|                                                                                                                                         | <p>Part No./Ordering No. TR9KI750T00-IMR6B</p>                                                                                                                                                                                                                                                                                                                                                                                                                                                                                                                                                                                                                                                                                                                                                                                                                                                                                                                                                                                                                                                                                                                                                                                                                                                                                                                                               | <p>Rev C</p> |

|                                                                                                                                                                                                                                                                                                                                                                                                                                                                                                                                                                                                                                                                                                                                                                                                                                                                                                                                                                                                                                                                                                                                                                                                                                                                                                                                                                                                                                                                                                                                                                                                                                                                                                                                                                                                                                                                                                                                                                                                                                                                                                                                                                                                                                                                                                                                                                                                                                                                                                                 |                                                                                                                                                                                                                                                                                                                                                                                                                                                                                                                                                                                                                                                                                                                                                                                                                                                                                                                                                                                                                                                                                                                                                                                                                                                                                                                                                                                                                                                                                |
|-----------------------------------------------------------------------------------------------------------------------------------------------------------------------------------------------------------------------------------------------------------------------------------------------------------------------------------------------------------------------------------------------------------------------------------------------------------------------------------------------------------------------------------------------------------------------------------------------------------------------------------------------------------------------------------------------------------------------------------------------------------------------------------------------------------------------------------------------------------------------------------------------------------------------------------------------------------------------------------------------------------------------------------------------------------------------------------------------------------------------------------------------------------------------------------------------------------------------------------------------------------------------------------------------------------------------------------------------------------------------------------------------------------------------------------------------------------------------------------------------------------------------------------------------------------------------------------------------------------------------------------------------------------------------------------------------------------------------------------------------------------------------------------------------------------------------------------------------------------------------------------------------------------------------------------------------------------------------------------------------------------------------------------------------------------------------------------------------------------------------------------------------------------------------------------------------------------------------------------------------------------------------------------------------------------------------------------------------------------------------------------------------------------------------------------------------------------------------------------------------------------------|--------------------------------------------------------------------------------------------------------------------------------------------------------------------------------------------------------------------------------------------------------------------------------------------------------------------------------------------------------------------------------------------------------------------------------------------------------------------------------------------------------------------------------------------------------------------------------------------------------------------------------------------------------------------------------------------------------------------------------------------------------------------------------------------------------------------------------------------------------------------------------------------------------------------------------------------------------------------------------------------------------------------------------------------------------------------------------------------------------------------------------------------------------------------------------------------------------------------------------------------------------------------------------------------------------------------------------------------------------------------------------------------------------------------------------------------------------------------------------|
| <p>AGENCY ONLINE DOCUMENTS <a href="http://www.globtek.info/certs/GTM96180-TZ/">http://www.globtek.info/certs/GTM96180-TZ/</a></p> <p>CE EC-Declaration for Medical <a href="http://globtek.force.com/models/ec_declaration_product?id=01ta0000007brqE&amp;m=1">http://globtek.force.com/models/ec_declaration_product?id=01ta0000007brqE&amp;m=1</a></p> <p>CE EC-Declaration for Industrial/Commercial/ITE <a href="http://globtek.force.com/models/ec_declaration_product?id=01ta0000007brqE&amp;i=2">http://globtek.force.com/models/ec_declaration_product?id=01ta0000007brqE&amp;i=2</a></p> <p>CE EC-Declaration for Household <a href="http://globtek.force.com/models/ec_declaration_product?id=01ta0000007brqE&amp;h=2">http://globtek.force.com/models/ec_declaration_product?id=01ta0000007brqE&amp;h=2</a></p> <p>UKCA-Declaration for Medical <a href="http://globtek.force.com/models/ukca_declaration_product?id=01ta0000007brqE&amp;m=1">http://globtek.force.com/models/ukca_declaration_product?id=01ta0000007brqE&amp;m=1</a></p> <p>UKCA-Declaration for Industrial/Commercial/ITE <a href="http://globtek.force.com/models/ukca_declaration_product?id=01ta0000007brqE&amp;i=2">http://globtek.force.com/models/ukca_declaration_product?id=01ta0000007brqE&amp;i=2</a></p> <p>UKCA-Declaration for Household <a href="http://globtek.force.com/models/ukca_declaration_product?id=01ta0000007brqE&amp;h=2">http://globtek.force.com/models/ukca_declaration_product?id=01ta0000007brqE&amp;h=2</a></p> <p>Morocco SDoC Declaration <a href="https://globtek.secure.force.com/models/Morocco_SDoC_Declaration?id=a0Oa000000Olz12EAD">https://globtek.secure.force.com/models/Morocco_SDoC_Declaration?id=a0Oa000000Olz12EAD</a></p> <p>RoHS/RoHS3 Declaration <a href="https://www.globtek.com/pdf/rohs_cert/01ta0000007brqEAAQ">https://www.globtek.com/pdf/rohs_cert/01ta0000007brqEAAQ</a></p> <p>REACH Declaration <a href="https://www.globtek.com/pdf/iso_certificates/REACH.pdf">https://www.globtek.com/pdf/iso_certificates/REACH.pdf</a></p> <p>Conflict Minerals Declaration <a href="https://www.globtek.com/pdf/conflict-minerals.pdf">https://www.globtek.com/pdf/conflict-minerals.pdf</a></p> <p>Prop 65 Statement <a href="https://en.globtek.com/prop-65-statement.pdf">https://en.globtek.com/prop-65-statement.pdf</a></p> <p>IPXY rating is based on 3rd party testing and customers should check suitability and test system level IPXY rating before ordering.</p> | <p><b>Regulatory Certifications/Label Markings</b></p> <p>Below follows a link to the latest regulatory certifications and marks for this specific product. National standards as well as certification schemes are constantly changing and so is the set of certification marks and symbols applicable to this product. Various standards, marks and symbols, and certificates are subject to change at any time without notice.</p> <p>Additional standards or unique country certifications are available upon request. Please contact Globtek to request a quotation.</p> <p>LATEST PRODUCT/MODEL CERTIFICATIONS: <a href="https://en.globtek.com/datasheet/id/a0Oa000000Olz12">https://en.globtek.com/datasheet/id/a0Oa000000Olz12</a></p> <p>AGENCY ONLINE DOCUMENTS: <a href="http://www.globtek.info/certs/GTM96180-TZ/">http://www.globtek.info/certs/GTM96180-TZ/</a></p> <p> (F1) Class II / Double Insulated</p> <hr/> <p> Polarity Configuration T00 All plugs are Medical Grade, Locking, Polarized once installed, and single use only.<br/>Product demonstration link: <a href="https://en.globtek.com/news/t00-changeable-output-plug-system-for-power-supplies">https://en.globtek.com/news/t00-changeable-output-plug-system-for-power-supplies</a><br/>MOLDED CONNECTORS AVAILABLE</p> |
|-----------------------------------------------------------------------------------------------------------------------------------------------------------------------------------------------------------------------------------------------------------------------------------------------------------------------------------------------------------------------------------------------------------------------------------------------------------------------------------------------------------------------------------------------------------------------------------------------------------------------------------------------------------------------------------------------------------------------------------------------------------------------------------------------------------------------------------------------------------------------------------------------------------------------------------------------------------------------------------------------------------------------------------------------------------------------------------------------------------------------------------------------------------------------------------------------------------------------------------------------------------------------------------------------------------------------------------------------------------------------------------------------------------------------------------------------------------------------------------------------------------------------------------------------------------------------------------------------------------------------------------------------------------------------------------------------------------------------------------------------------------------------------------------------------------------------------------------------------------------------------------------------------------------------------------------------------------------------------------------------------------------------------------------------------------------------------------------------------------------------------------------------------------------------------------------------------------------------------------------------------------------------------------------------------------------------------------------------------------------------------------------------------------------------------------------------------------------------------------------------------------------|--------------------------------------------------------------------------------------------------------------------------------------------------------------------------------------------------------------------------------------------------------------------------------------------------------------------------------------------------------------------------------------------------------------------------------------------------------------------------------------------------------------------------------------------------------------------------------------------------------------------------------------------------------------------------------------------------------------------------------------------------------------------------------------------------------------------------------------------------------------------------------------------------------------------------------------------------------------------------------------------------------------------------------------------------------------------------------------------------------------------------------------------------------------------------------------------------------------------------------------------------------------------------------------------------------------------------------------------------------------------------------------------------------------------------------------------------------------------------------|



|                                                                                                                                    |                                                                                                                                                                                                                                                                                                                                                                                                                                                                                                                                                                                                                                                                                                                                                                                                                                                                                                                                                                                                                                                                                                                                                                                                                                                                                                                                                                                       |       |
|------------------------------------------------------------------------------------------------------------------------------------|---------------------------------------------------------------------------------------------------------------------------------------------------------------------------------------------------------------------------------------------------------------------------------------------------------------------------------------------------------------------------------------------------------------------------------------------------------------------------------------------------------------------------------------------------------------------------------------------------------------------------------------------------------------------------------------------------------------------------------------------------------------------------------------------------------------------------------------------------------------------------------------------------------------------------------------------------------------------------------------------------------------------------------------------------------------------------------------------------------------------------------------------------------------------------------------------------------------------------------------------------------------------------------------------------------------------------------------------------------------------------------------|-------|
| <b>GlobTek, Inc.</b><br>www.globtek.com<br>186 Veterans Drive,<br>Northvale, NJ 07647<br>Tel. (201) 784-1000<br>Fax (201) 784-0111 | Drawing Title: GTM96180-1830-6.0-T2, ICT / ITE / Medical Power Supply/Class 2/Household Power Supply, Efficiency Level: USA DOE Level VI / Eco-design Directive 2009/125/EC, (EU) 2019/1782, Case Color/Style: GlobTek Black, Desktop/External, Regulated Switchmode AC-DC Power Supply AC Adaptor, Input Rating: 100-240V~, 50-60 Hz, IEC 60320/C8 , Output Rating: 18W, 24.0V@0.75A, Output Configuration: 1500 mm, 18/2 Cond, Round Black, T-plug system (includes 5.5x2.5, 5.5x2.1, 3.5x1.3mm plugs in each kit), Ferrite: None, GlobTek Black, GT Cord # C3775, Pin Out: Polarity Configuration T00 All plugs are Medical Grade, Locking, Polarized once installed, and single use only. Product demonstration link: <a href="https://en.globtek.com/news/t00-changeable-output-plug-system-for-power-supplies">https://en.globtek.com/news/t00-changeable-output-plug-system-for-power-supplies</a> MOLDED CONNECTORS AVAILABLE, Blades/Input Cord: Not Applicable, Approvals: IP42; CB 62368; CB 60601-1; PSE; PSE; PSE; Fuse 60335; Fuse 60335; cETLus UL1310; CB 60335; CE; CCC; Double Insulation; ETL; S-Mark 60950; RCM; CB 61558-2-16; CAN ICES-3; FCC; WEEE; VCCI; Ukraine; RoHS; CB 60950; LPS 62368; 230V CoC Tier 2; EAC; UKCA; NrCAN (9V only); UL 1310; ETL 62368; cETLus 62368-1; Morocco; S-Mark 62368; cETLus 60601-1 3rd; CE; China RoHS; Level VI; LPS 60950; |       |
|                                                                                                                                    | Model No. GTM96180-1830-6.0-T2                                                                                                                                                                                                                                                                                                                                                                                                                                                                                                                                                                                                                                                                                                                                                                                                                                                                                                                                                                                                                                                                                                                                                                                                                                                                                                                                                        |       |
|                                                                                                                                    | Part No./Ordering No. TR9KI750T00-IMR6B                                                                                                                                                                                                                                                                                                                                                                                                                                                                                                                                                                                                                                                                                                                                                                                                                                                                                                                                                                                                                                                                                                                                                                                                                                                                                                                                               | Rev C |

## PACKAGING

|                                  |                                                                                                                         |
|----------------------------------|-------------------------------------------------------------------------------------------------------------------------|
| Packing Spec P/N:                | Packing for DT plug model with T00 plug and manual                                                                      |
| Box Qty:                         | 60                                                                                                                      |
| Gift Box Size (mm):              | 147*100*33                                                                                                              |
| Gift Box Color:                  | White                                                                                                                   |
| Master Carton Size (mm):         | 455 x 405 x 220                                                                                                         |
| Master Carton Cubic Volume (m³): | 0.04                                                                                                                    |
| Master GW (Kg):                  | 15.6 kg                                                                                                                 |
| BLADES INCLUDED:                 | N/A: Not Applicable                                                                                                     |
| BLADE/CORD INSTALLED:            | N/A: Not Applicable                                                                                                     |
| USER MANUAL*:                    | 809-DESKTOPUSERMANUAL on A4 paper                                                                                       |
| USER MANUAL WEB LINK:            | <a href="https://en.globtek.com/pdf/809-DESKTOPUSERMANUAL.jpg">https://en.globtek.com/pdf/809-DESKTOPUSERMANUAL.jpg</a> |

\* This specification sheet is considered the user manual for all applications. It is expected that the buyer of this product will use it to formulate their own user manual for their end product and a user manual specifically for the power adapter is not usually required. If a user manual is not specifically listed above then none will be provided with this unit.

If specific packaging is required, this section must specify all requirements and note "no exceptions". If this section does not specify packaging, it is subject to change without notice at GlobTek's discretion

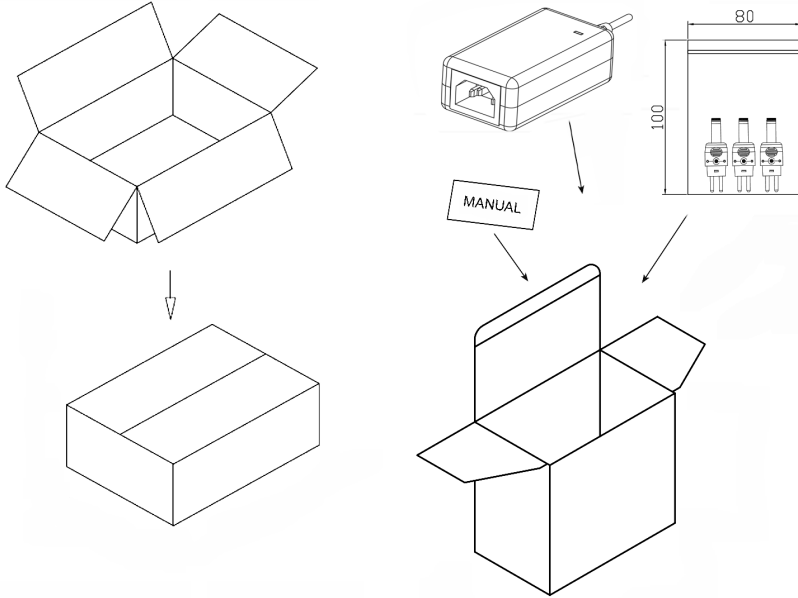
GlobTek, Inc.  
 www.globtek.com  
 186 Veterans Drive,  
 Northvale, NJ 07647  
 Tel. (201) 784-1000  
 Fax (201) 784-0111

Drawing Title: GTM96180-1830-6.0-T2, ICT / ITE / Medical Power Supply/Class 2/Household Power Supply, Efficiency Level: USA DOE Level VI / Eco-design Directive 2009/125/EC, (EU) 2019/1782, Case Color/Style: GlobTek Black, Desktop/External, Regulated Switchmode AC-DC Power Supply AC Adaptor, Input Rating: 100-240V~, 50-60 Hz, IEC 60320/C8 , Output Rating: 18W, 24.0V@0.75A, Output Configuration: 1500 mm, 18/2 Cond, Round Black, T-plug system (includes 5.5x2.5, 5.5x2.1, 3.5x1.3mm plugs in each kit), Ferrite: None, GlobTek Black, GT Cord # C3775, Pin Out: Polarity Configuration T00 All plugs are Medical Grade, Locking, Polarized once installed, and single use only. Product demonstration link: <https://en.globtek.com/news/t00-changeable-output-plug-system-for-power-supplies> MOLDED CONNECTORS AVAILABLE, Blades/Input Cord: Not Applicable, Approvals: IP42; CB 62368; CB 60601-1; PSE; PSE; Fuse 60335; cETLus UL1310; CB 60335; CE; CCC; Double Insulation; ETL; S-Mark 60950; RCM; CB 61558-2-16; CAN ICES-3; FCC; WEEE; VCCI; Ukraine; RoHS; CB 60950; LPS 62368; 230V CoC Tier 2; EAC; UKCA; NrCAN (9V only); UL 1310; ETL 62368; cETLus 62368-1; Morocco; S-Mark 62368; cETLus 60601-1 3rd; CE; China RoHS; Level VI; LPS 60950;

Model No. GTM96180-1830-6.0-T2

Part No./Ordering No. TR9KI750T00-IMR6B

Rev C



Manual for T00-plug:

**GlobTek, Inc.**  
 T-Tip Instructions  
 • Color of tip indicates dimensions of barrel  
 • Polarity is dependent on how tip is inserted in to T-base

| PART NO          | DIAMETER |       | LENGTH | TIP COLOR |
|------------------|----------|-------|--------|-----------|
|                  | OUTER    | INNER |        |           |
| T-C-12-S(R)      | 5.5      | 2.1   | 12     | YELLOW    |
| T-L-12-S(R)      | 5.5      | 2.5   | 12     | BLACK     |
| T-K-11-S(R)      | 3.5      | 1.3   | 11     | BLUE      |
| T-E2-9S-S(R)     | 4.0      | 1.7   | 9.5    | BROWN     |
| T-E3-9S-S(R)     | 4.75     | 1.7   | 9.5    | RED       |
| T-E4-9S-S(R)     | 5.5      | 3.3   | 9.5    | ORANGE    |
| T-E1-9S-S(R)     | 2.35     | 0.7   | 9.5    | YELLOW    |
| T-E5-11S-S(R)    | 6.5      | 6.0   | 11.5   | BLACK     |
| T-P-S-STER-14(R) | 3.5      | -     | 14     | -         |
| T-P-S-MONO-14(R) | 3.5      | -     | 14     | -         |
| T-S-S-MONO-11(R) | 2.5      | -     | 11     | -         |
| T-S-S-STER-11(R) | 2.5      | -     | 11     | -         |

90mm+0/-0.2

80mm+0/-0.2

正面/SHEET A

Plugs can only be inserted one time

Molded options available upon request

90mm+0/-0.2

80mm+0/-0.2

反面/SHEET B

字体/字号  
 Arial Bold/18pt

|                                                                                                                                         |                                                                                                                                                                                                                                                                                                                                                                                                                                                                                                                                                                                                                                                                                                                                                                                                                                                                                                                                                                                                                                                                                                                                                                                                                                                                                                                                                                                              |              |
|-----------------------------------------------------------------------------------------------------------------------------------------|----------------------------------------------------------------------------------------------------------------------------------------------------------------------------------------------------------------------------------------------------------------------------------------------------------------------------------------------------------------------------------------------------------------------------------------------------------------------------------------------------------------------------------------------------------------------------------------------------------------------------------------------------------------------------------------------------------------------------------------------------------------------------------------------------------------------------------------------------------------------------------------------------------------------------------------------------------------------------------------------------------------------------------------------------------------------------------------------------------------------------------------------------------------------------------------------------------------------------------------------------------------------------------------------------------------------------------------------------------------------------------------------|--------------|
| <p>GlobTek, Inc.<br/>www.globtek.com<br/>186 Veterans Drive,<br/>Northvale, NJ 07647<br/>Tel. (201) 784-1000<br/>Fax (201) 784-0111</p> | <p>Drawing Title: GTM96180-1830-6.0-T2, ICT / ITE / Medical Power Supply/Class 2/Household Power Supply, Efficiency Level: USA DOE Level VI / Eco-design Directive 2009/125/EC, (EU) 2019/1782, Case Color/Style: GlobTek Black, Desktop/External, Regulated Switchmode AC-DC Power Supply AC Adaptor, Input Rating: 100-240V~, 50-60 Hz, IEC 60320/C8 , Output Rating: 18W, 24.0V@0.75A, Output Configuration: 1500 mm, 18/2 Cond, Round Black, T-plug system (includes 5.5x2.5, 5.5x2.1, 3.5x1.3mm plugs in each kit), Ferrite: None, GlobTek Black, GT Cord # C3775, Pin Out: Polarity Configuration T00 All plugs are Medical Grade, Locking, Polarized once installed, and single use only. Product demonstration link: <a href="https://en.globtek.com/news/t00-changeable-output-plug-system-for-power-supplies">https://en.globtek.com/news/t00-changeable-output-plug-system-for-power-supplies</a> MOLDED CONNECTORS AVAILABLE, Blades/Input Cord: Not Applicable, Approvals: IP42; CB 62368; CB 60601-1; PSE; PSE; PSE; Fuse 60335; Fuse 60335; cETLus UL1310; CB 60335; CE; CCC; Double Insulation; ETL; S-Mark 60950; RCM; CB 61558-2-16; CAN ICES-3; FCC; WEEE; VCCI; Ukraine; RoHS; CB 60950; LPS 62368; 230V CoC Tier 2; EAC; UKCA; NrCAN (9V only); UL 1310; ETL 62368; cETLus 62368-1; Morocco; S-Mark 62368; cETLus 60601-1 3rd; CE; China RoHS; Level VI; LPS 60950;</p> |              |
|                                                                                                                                         | <p>Model No. GTM96180-1830-6.0-T2</p>                                                                                                                                                                                                                                                                                                                                                                                                                                                                                                                                                                                                                                                                                                                                                                                                                                                                                                                                                                                                                                                                                                                                                                                                                                                                                                                                                        |              |
|                                                                                                                                         | <p>Part No./Ordering No. TR9KI750T00-IMR6B</p>                                                                                                                                                                                                                                                                                                                                                                                                                                                                                                                                                                                                                                                                                                                                                                                                                                                                                                                                                                                                                                                                                                                                                                                                                                                                                                                                               | <p>Rev C</p> |

## INSTRUCTIONS TO THE OEM SYSTEMS ENGINEER

It is the responsibility of the OEM systems engineer to provide the end system user instructions and warnings for the use of this product in the end system.

If an input cord is required for this product, AC Mains voltage should be provided to the power supply by a power supply cord approved to the national standards of the country in which it will be used.

This power supply is not designed to be repaired. No serviceable parts inside. A blown internal fuse is an indication of catastrophic failure of circuit component(s). If a Failure Analysis is required for a failed power supply/battery charger, please return the damaged unit to GlobTek for an accurate determination of the root cause of the failure.

EMC Compliance of the complete OEM product, including the GlobTek power supply/battery charger needs to be verified by the OEM systems engineer.

## INSTRUCTION SHEET

### PROPRIETARY INFORMATION