



LC7151

C MOS Si Gate IC Meeting FCC 10-Channel Standard PLL for Cordless Telephone

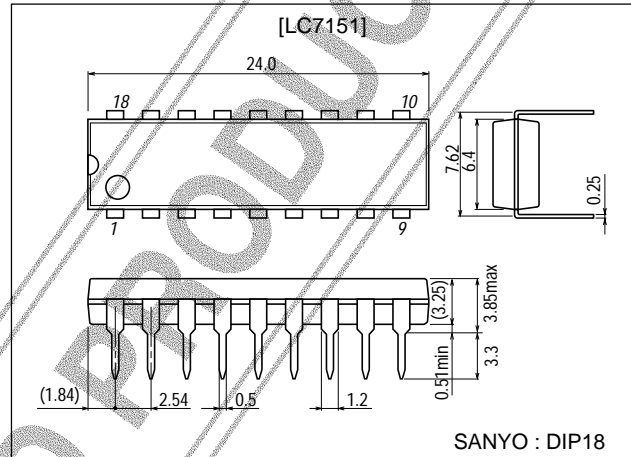
Functions

- On-chip PLL for transmission/reception.
- On-chip digital unlock detector.
(only PLL for transmission)
- 5.0kHz/4.4kHz output pins for guard tone.
- Standby function.
- Pull-down resistance at CH select pins (D1 to D4).
LC7150 : With (for mechanical SW)
LC7151 : Without (for μ COM)

Package Dimensions

unit:mm

3007B-DIP18



SANYO : DIP18

Specifications

Absolute Maximum Ratings at $T_a = 25^\circ\text{C}$, $V_{SS} = 0\text{V}$

Parameter	Symbol	Conditions	Ratings	Unit
Maximum supply voltage	$V_{DD\text{max}}$		-0.3 to +6.5	V
Maximum input voltage	$V_I\text{max}$	All input pins	-0.3 to $V_{DD}+0.3$	V
Maximum output voltage	$V_{O1\text{max}}$	F1, F2 output OFF	-0.3 to +6.5	V
	$V_{O2\text{max}}$	Output pins other than V_{O1}	-0.3 to $V_{DD}+0.3$	V
Output current	I_{OUT}	F1, F2, LDT	0 to 3.0	mA
Allowable power dissipation	$P_d\text{max}$	$T_a \leq 75^\circ\text{C}$	350	mW
Operating temperature	T_{opr}		-30 to +75	$^\circ\text{C}$
Storage temperature	T_{stg}		-40 to +125	$^\circ\text{C}$

Allowable Operating Conditions at $T_a = 25^\circ\text{C}$, $V_{SS} = 0\text{V}$

Parameter	Symbol	Conditions	Ratings			Unit
			min	typ	max	
Supply voltage	V_{DD}		3.0		5.5	V
Input high-level voltage	V_{IH1}	D1 to D4, \overline{SB}	$0.7V_{DD}$		V_{DD}	V
Input low-level voltage	V_{IL1}	D1 to D4, \overline{SB}	0		$0.3V_{DD}$	V
Input high-level voltage	V_{IH2}	$\overline{R/B}$	$0.9V_{DD}$		V_{DD}	V
Input low-level voltage	V_{IL2}	$\overline{R/B}$	0		$0.1V_{DD}$	V

Continued on next page.

■ Any and all SANYO products described or contained herein do not have specifications that can handle applications that require extremely high levels of reliability, such as life-support systems, aircraft's control systems, or other applications whose failure can be reasonably expected to result in serious physical and/or material damage. Consult with your SANYO representative nearest you before using any SANYO products described or contained herein in such applications.

■ SANYO assumes no responsibility for equipment failures that result from using products at values that exceed, even momentarily, rated values (such as maximum ratings, operating condition ranges, or other parameters) listed in products specifications of any and all SANYO products described or contained herein.

SANYO Electric Co., Ltd. Semiconductor Company

TOKYO OFFICE Tokyo Bldg., 1-10, 1 Chome, Ueno, Taito-ku, TOKYO, 110-8534 JAPAN

LC7151

Continued from preceding page.

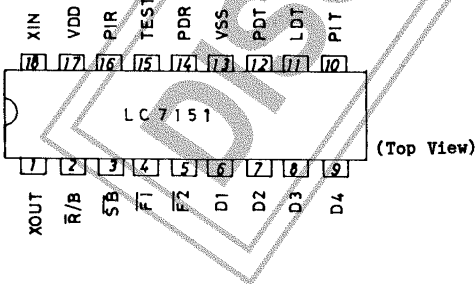
Parameter	Symbol	Conditions	Ratings			Unit
			min	typ	max	
Input frequency	f _{IN1}	PIT ; V _{IN} =0.15Vrms	10		27	MHz
	f _{IN2}	PIR ; V _{IN} =0.15Vrms	30		42	MHz
	f _{IN3}	XIN ; V _{IN} =0.3Vrms	5.0	10,24	11.0	MHz
Input amplitude	V _{IN1}	PIT ; f _{IN} =27MHz	0.15		0.3V _{DD}	Vrms
	V _{IN2}	PIR ; f _{IN} =42MHz	0.15		0.3V _{DD}	Vrms
	V _{IN3}	XIN ; f _{IN} =11MHz	0.3		0.3V _{DD}	Vrms

Electrical Characteristics at Ta = 25°C, under Allowable Operating Conditions

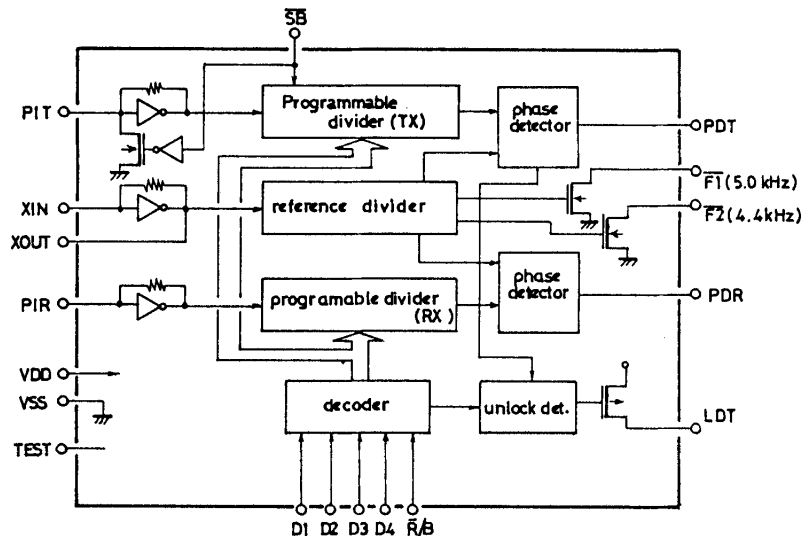
Parameter	Symbol	Conditions	Ratings			Unit
			min	typ	max	
Input high-level current	I _{IH1}	XIN ; V _I =V _{DD}			20	μA
Input low-level current	I _{IL1}	XIN ; V _I =V _{SS}			20	μA
Input high-level current	I _{IH2}	PIT, PIR ; V _I =V _{DD}			40	μA
Input low-level current	I _{IL2}	PIT, PIR ; V _I =V _{SS}			40	μA
Input high-level current	I _{IH3}	SB, R/B, D1 to D4 ; V _I =V _{DD}			10	μA
Input low-level current	I _{IL3}	SB, R/B, D1 to D4 ; V _I =V _{SS}			10	μA
Feedback Resistance	R _{f1}	XIN ; V _{DD} =4.3V		1.0		MΩ
	R _{f2}	PIT, PIR ; V _{DD} =4.3V		0.5		MΩ
Output high-level voltage	V _{OH1}	PDT, PDR ; I _O =0.5mA	V _{DD} -1.0			V
Output low-level voltage	V _{OL1}	PDT, PDR ; I _O =0.5mA			1.0	V
Output OFF leakage current	I _{off1}	PDT, PDR ; V _O =V _{DD} /V _{SS}		0.01	1.0	nA
Output high-level voltage	V _{OH2}	LDT ; I _O =1mA	V _{DD} -1.0			V
Output OFF leakage current	I _{off2}	LDT ; output OFF V _O =V _{SS}			5.0	μA
Output low-level voltage	V _{OL2}	F1, F2 ; I _O =1mA			1.0	V
Output OFF leakage current	I _{off3}	F1, F2 ; output OFF V _O =5.5V			5.0	μA
Current drain	I _{DD1}	(C3) V _{DD} =3.0V		4		mA
	I _{DD2}	(C3) V _{DD} =4.5V		7		mA
	I _{DD3}	(C3) V _{DD} =5.5V		13		mA
	I _{DD4}	(C2) V _{DD} =3.0V		3		mA
	I _{DD5}	(C2) V _{DD} =4.5V		5		mA
	I _{DD6}	(C2) V _{DD} =5.5V		10		mA
		(C3) : XIN=10.24MHz, Xtal connected PIT=27MHz 150mVrms PIR=42MHz 150mVrms R/B=V _{DD} , SB=V _{DD} , other pin open				
		(C2) : XIN=10.24MHz, Xtal connected PIR=42MHz, 150mVrms R/B=V _{DD} , SB=V _{SS} , other pin open				

(Note) Power V_{DD}-V_{SS} : Insert a capacitor of 2000pF or greater.

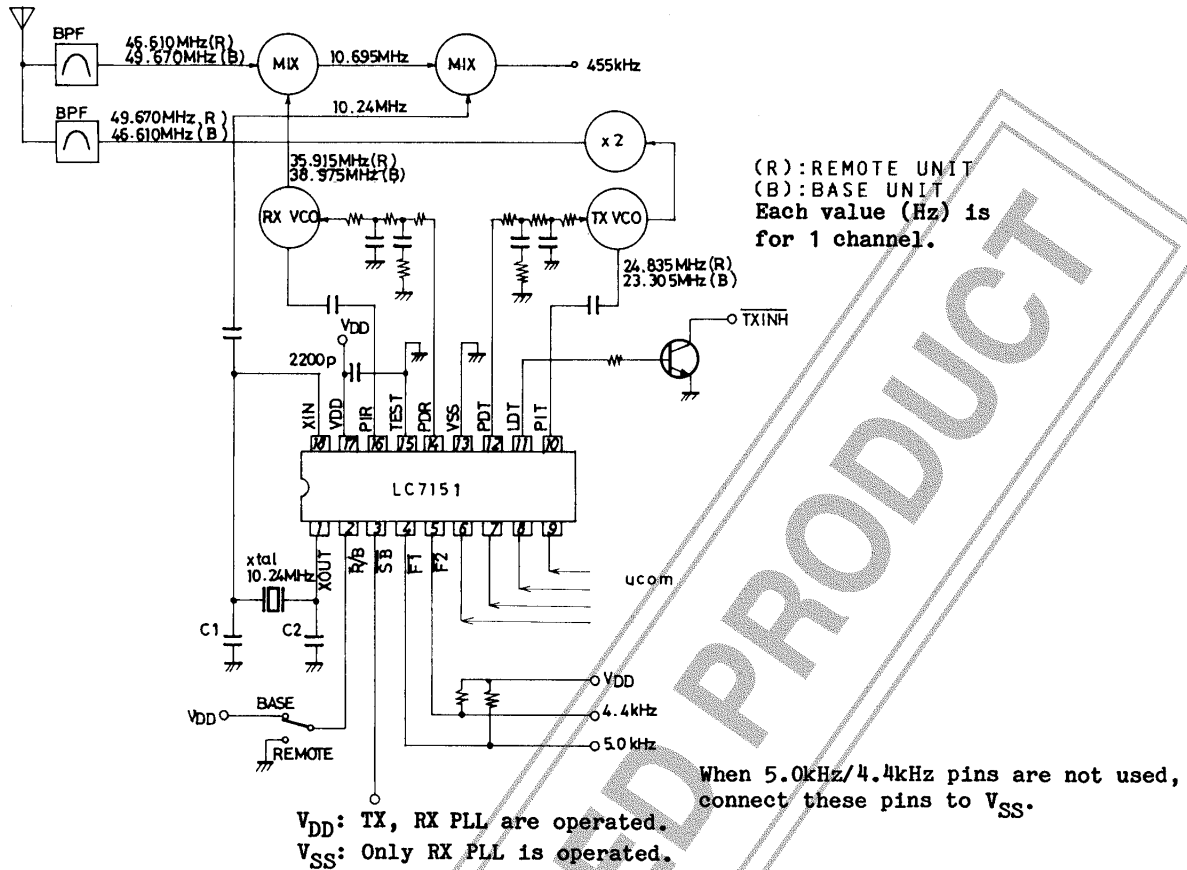
Pin Assignment



Equivalent Circuit Block Diagram



Sample Application Circuit



Pin Description

- F1 : 5.0kHz output. When not used, connect to V_{SS}.
- F2 : 4.4kHz output (10.24MHz+2304). When not used, connect to V_{SS}.
- V_{DD}, V_{SS} : Power supply.
- XIN, XOUT : Crystal resonator (10.24MHz).
- D1 to D4 : Channel select pin.
- R/B : Base unit/remore unit select pin.
R/B= "0" (V_{SS}) Remote unit
R/B= "1" (V_{DD}) Base unit
- SB : Used to stop the TX PLL at the standby mode to minimize current drain.
SB= "0" (V_{SS}) The charge pump enters a high-impedance mode. Standby mode. Only the RX PLL is operated.
SB= "1" (V_{DD}) The TX, RX PLL are operated.
- PIT : TX programmable divider input pin.
- PIR : RX programmable divider input pin.
- PDT : TX charge pump output pin.
- PDR : RX charge pump output pin.
- TEST : IC test input pin. Connected to V_{SS}.
- LDT : TX PLL unlock signal output pin.

LC7151

When the phase difference becomes $t_D (=6.25\mu s)$ or more, 5.6ms output pulse is delivered at the LDT pin.

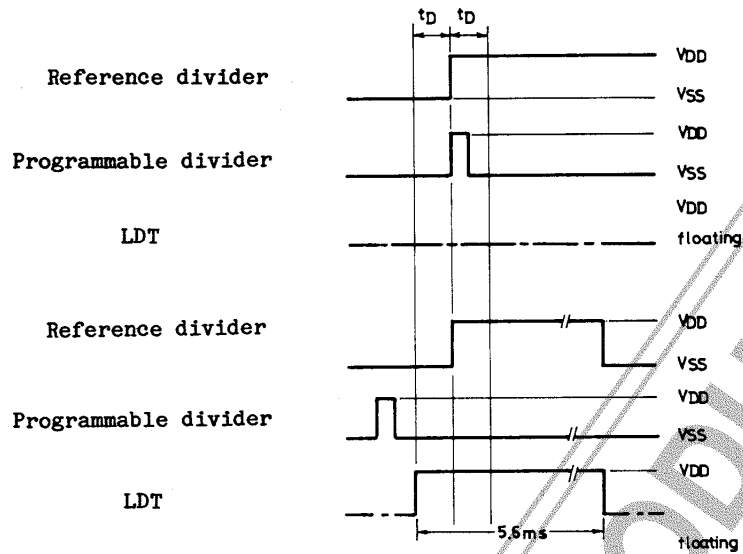
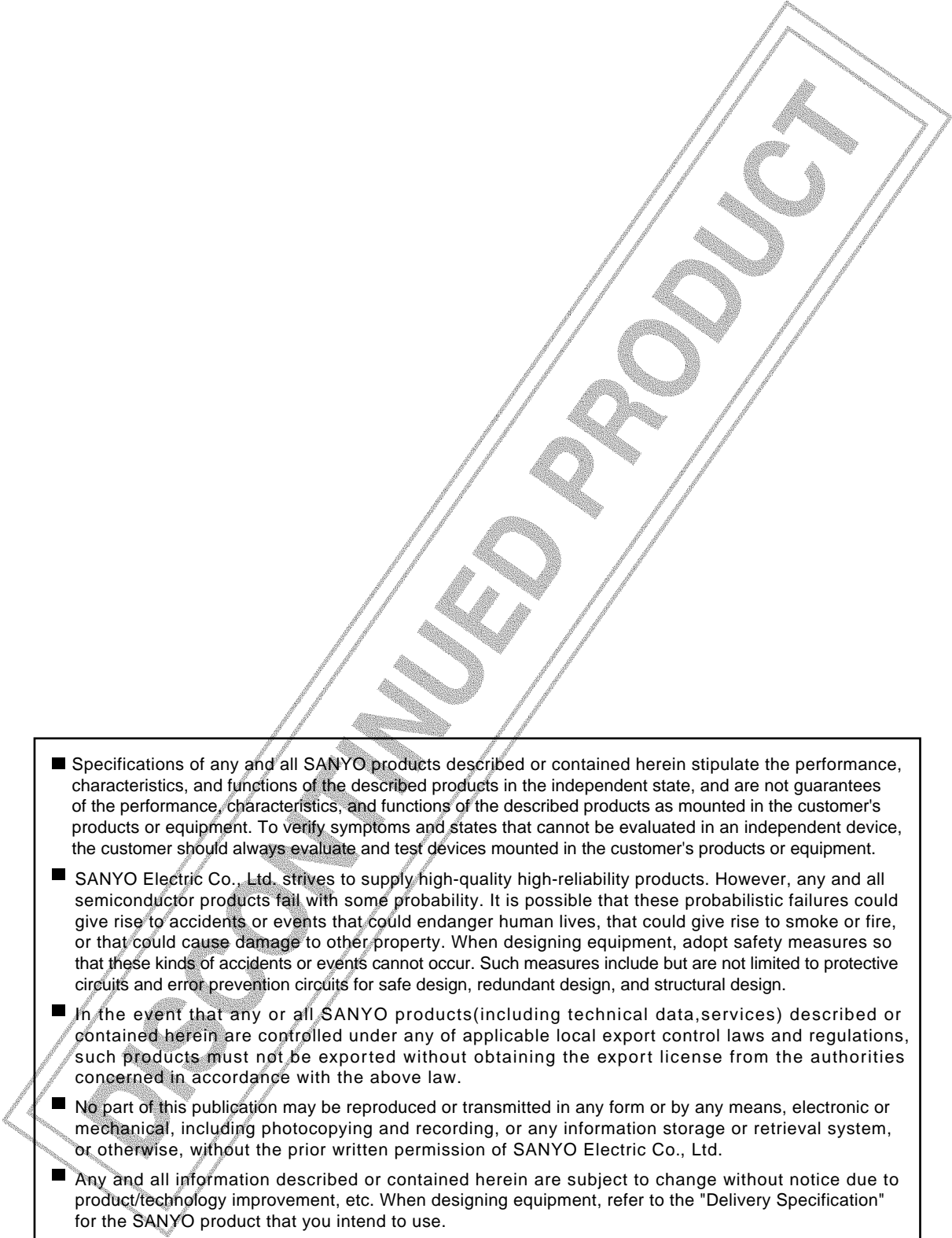


Table of Frequency Division

INPUT D1D2D3D4	C H	REMOTE (R/B='0')					BASE (R/B='1')				
		TX (fref=2.5kHz)			RX (fref=5kHz)		TX (fref=2.5kHz)			RX (fref=5kHz)	
		f _{TX} (MHz)	f _{VCO} (MHz)	N	f _{VCO} (MHz)	N	f _{TX} (MHz)	f _{VCO} (MHz)	N	f _{VCO} (MHz)	N
1 0 0 0	1	49.670	24.8350	9934	35.915	7183	46.610	23.305	9322	38.975	7795
0 1 0 0	2	49.845	24.9225	9969	35.935	7187	46.630	23.315	9326	39.150	7830
1 1 0 0	3	49.860	24.9330	9972	35.975	7195	46.670	23.335	9334	39.165	7833
0 0 1 0	4	49.770	24.8850	9954	36.015	7203	46.710	23.355	9342	39.075	7815
1 0 1 0	5	49.875	24.9375	9975	36.035	7207	46.730	23.365	9346	39.180	7836
0 1 1 0	6	49.830	24.9150	9966	36.075	7215	46.770	23.385	9354	39.135	7827
1 1 1 0	7	49.890	24.9450	9978	36.135	7227	46.830	23.415	9366	39.195	7839
0 0 0 1	8	49.930	24.9650	9986	36.175	7235	46.870	23.435	9374	39.235	7847
1 0 0 1	9	49.990	24.9950	9998	36.235	7247	46.930	23.465	9386	39.295	7859
0 1 0 1	10	49.970	24.9850	9994	36.275	7255	46.970	23.485	9394	39.275	7855
1 1 0 1	10	49.970	24.9850	9994	36.275	7255	46.970	23.485	9394	39.275	7855
0 0 1 1	10	49.970	24.9850	9994	36.275	7255	46.970	23.485	9394	39.275	7855
1 0 1 1	10	49.970	24.9850	9994	36.275	7255	46.970	23.485	9394	39.275	7855
0 1 1 1	10	49.970	24.9850	9994	36.275	7255	46.970	23.485	9394	39.275	7855
1 1 1 1	10	49.970	24.9850	9994	36.275	7255	46.970	23.485	9394	39.275	7855
0 0 0 1	10	49.970	24.9850	9994	36.275	7255	46.970	23.485	9394	39.275	7855

- 
- Specifications of any and all SANYO products described or contained herein stipulate the performance, characteristics, and functions of the described products in the independent state, and are not guarantees of the performance, characteristics, and functions of the described products as mounted in the customer's products or equipment. To verify symptoms and states that cannot be evaluated in an independent device, the customer should always evaluate and test devices mounted in the customer's products or equipment.
 - SANYO Electric Co., Ltd. strives to supply high-quality high-reliability products. However, any and all semiconductor products fail with some probability. It is possible that these probabilistic failures could give rise to accidents or events that could endanger human lives, that could give rise to smoke or fire, or that could cause damage to other property. When designing equipment, adopt safety measures so that these kinds of accidents or events cannot occur. Such measures include but are not limited to protective circuits and error prevention circuits for safe design, redundant design, and structural design.
 - In the event that any or all SANYO products(including technical data, services) described or contained herein are controlled under any of applicable local export control laws and regulations, such products must not be exported without obtaining the export license from the authorities concerned in accordance with the above law.
 - No part of this publication may be reproduced or transmitted in any form or by any means, electronic or mechanical, including photocopying and recording, or any information storage or retrieval system, or otherwise, without the prior written permission of SANYO Electric Co., Ltd.
 - Any and all information described or contained herein are subject to change without notice due to product/technology improvement, etc. When designing equipment, refer to the "Delivery Specification" for the SANYO product that you intend to use.
 - Information (including circuit diagrams and circuit parameters) herein is for example only ; it is not guaranteed for volume production. SANYO believes information herein is accurate and reliable, but no guarantees are made or implied regarding its use or any infringements of intellectual property rights or other rights of third parties.

This catalog provides information as of May, 2001. Specifications and information herein are subject to change without notice.