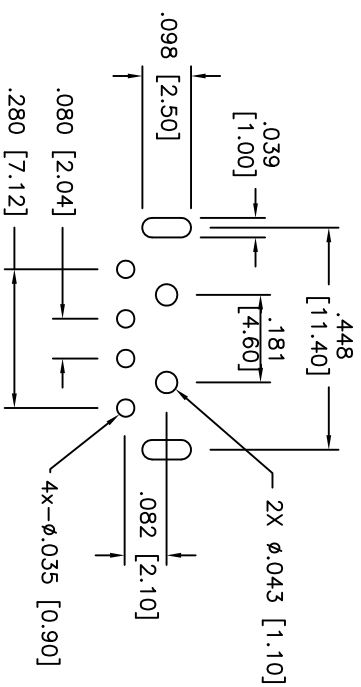
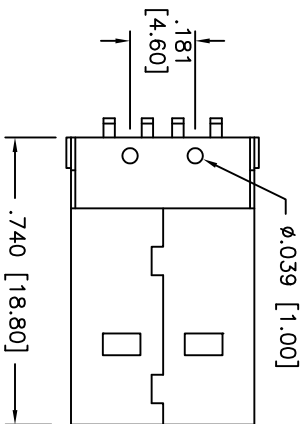
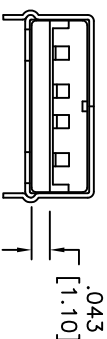
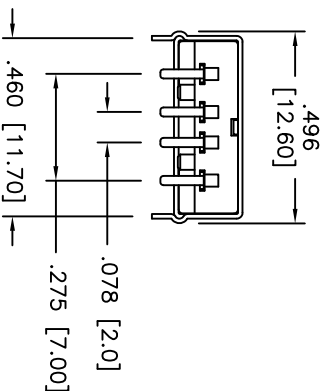
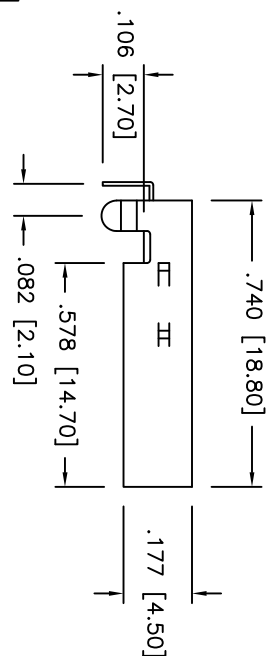
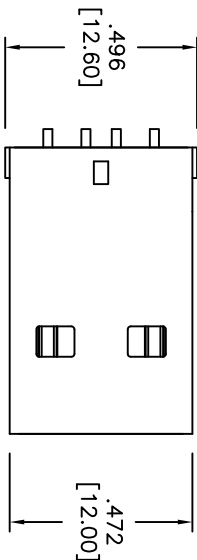


Rev	AWO #	Description	Date	Appr
-		RELEASED	12/3/08	

APPROVED: _____
 DATE: _____ TITLE: _____



RECOMMENDED PCB LAYOUT

SPECIFICATIONS:

Material:
 Insulator: PA66, rated UL 94V-0
 Insulator color: Black
 Contacts: .0098" [0.25mm] thick Phosphor Bronze
 Shell: .012" [0.3mm] thick Steel, Nickel plated
Plating:
 Gold flash over Nickel underplate on contact area,
 Tin over Copper underplate on PCB tails
Electrical:
 Operating voltage: 30 VAC max.
 Current rating: 1 Amp max.
 Contact resistance: 30 mohms max.
 Insulation resistance: 1,000 Mohms min.
 Dielectric withstanding voltage: 500 VAC for 1 minute
 Temperature Rating:
 Operating temperature: -20°C to +60°C
Environmental:
 Lead free, RoHS compliant.



UNLESS OTHERWISE SPECIFIED
 ALL DIMENSIONS ARE MM [INCHES]
 TOLERANCES: EXCEPT AS NOTED
 INCHES
 .X ± .10 ØXX ± .10
 .XX ± .020 ØXXX ± .015
 .XXX ± .015 ØXXXX ± .010

ADAM TECH
 909 Railway Avenue, Union, NJ 07083
 Phone: 908-687-5000 Fax: 908-687-5710

TITLE: USB CONNECTOR, A TYPE PLUG

DRAWN	SS	12/3/08
CHECKED		
APPROVED		

SIZE	PART NO.	REV.
X	USB-AP-S-RA	-
REF:	SCALE: NTS	SHEET 1 OF 1