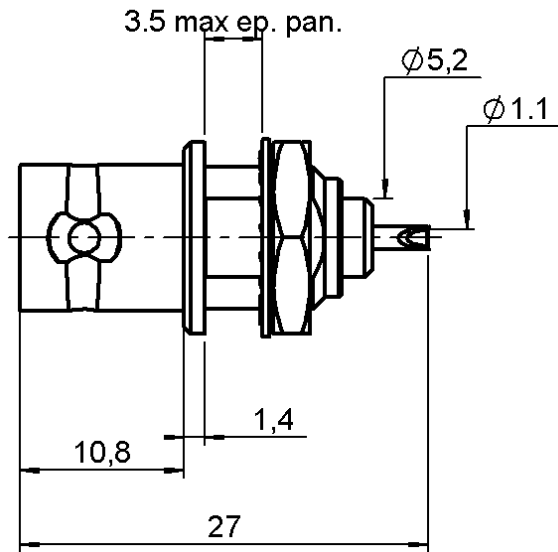
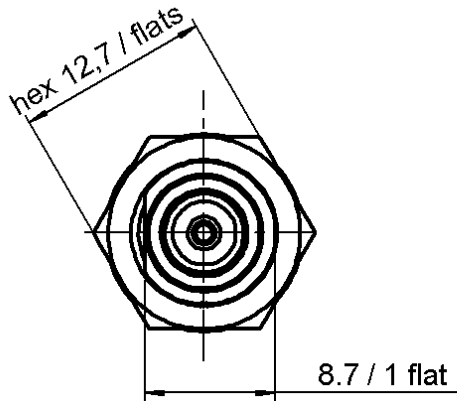


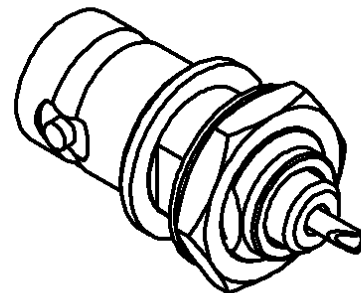
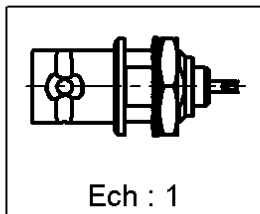
**BULKHEAD JACK RECEPTACLE FRONT MOUNTING**  
**WITH SOLDER POT CONTACT**

**R142.562.000**

Series : **BNC 75**



| PERCAGE PANNEAU MOUNTING HOLES |      |
|--------------------------------|------|
| B ± 0.05 (.002)                |      |
|                                |      |
| Ø A ± 0.05 (.002)              |      |
| A                              | 9.75 |
| B                              | 8.85 |



All dimensions are in mm.



| COMPONENTS     | MATERIALS        | PLATINGS (µm)          |
|----------------|------------------|------------------------|
| BODY           | BRASS            | NICKEL 2               |
| CENTER CONTACT | BERYLLIUM COPPER | GOLD 0.5 OVER NICKEL 2 |
| OUTER CONTACT  | -                | -                      |
| INSULATOR      | PTFE             | -                      |
| GASKET         | -                | -                      |
| OTHERS PARTS   | BRASS            | NICKEL 2               |
| -              | -                | -                      |
| -              | -                | -                      |

Issue : 0409 D

In the effort to improve our products, we reserve the right to make changes judged to be necessary.



**BULKHEAD JACK RECEPTACLE FRONT MOUNTING**  
**WITH SOLDER POT CONTACT**

**R142.562.000**

Series : **BNC 75**

**PACKAGING**

**SPECIFICATION**

| Standard | Unit | Other             |
|----------|------|-------------------|
| <b>1</b> | -    | <b>Contact us</b> |

**4051077 A 00**

**ELECTRICAL CHARACTERISTICS**

**ENVIRONMENTAL**

|                                 |               |                              |
|---------------------------------|---------------|------------------------------|
| Impedance                       |               | <b>75</b> Ω                  |
| Frequency                       |               | <b>0-1.5</b> GHz             |
| VSWR                            | <b>1.30</b> + | <b>0.000</b> x F(GHz) Maxi   |
| Insertion loss                  |               | <b>0.115</b> √F(GHz) dB Maxi |
| RF leakage                      | - (           | <b>57</b> - F(GHz)) dB Maxi  |
| Voltage rating                  |               | <b>500</b> Veff Maxi         |
| Dielectric withstanding voltage |               | <b>1500</b> Veff mini        |
| Insulation resistance           |               | <b>5000</b> MΩ mini          |

|                       |                     |
|-----------------------|---------------------|
| Operating temperature | <b>-65/+165</b> °C  |
| Hermetic seal         | <b>NA</b> Atm.cm3/s |
| Panel leakage         | <b>NA</b>           |

**OTHERS CHARACTERISTICS**

Assembly instruction

Others :

**MECHANICAL CHARACTERISTICS**

|                            |              |             |
|----------------------------|--------------|-------------|
| Center contact retention   |              |             |
| Axial force – Mating end   | <b>18</b>    | N mini      |
| Axial force – Opposite end | <b>18</b>    | N mini      |
| Torque                     | <b>2.8</b>   | N.cm mini   |
| Recommended torque         |              |             |
| Mating                     | <b>NA</b>    | N.cm        |
| Panel nut                  | <b>250</b>   | N.cm        |
| Mating life                | <b>500</b>   | Cycles mini |
| Weight                     | <b>7.400</b> | g           |

Issue : 0409 D

In the effort to improve our products, we reserve the right to make changes judged to be necessary.



# Mouser Electronics

Authorized Distributor

Click to View Pricing, Inventory, Delivery & Lifecycle Information:

[Radial:](#)

[R142562000](#)