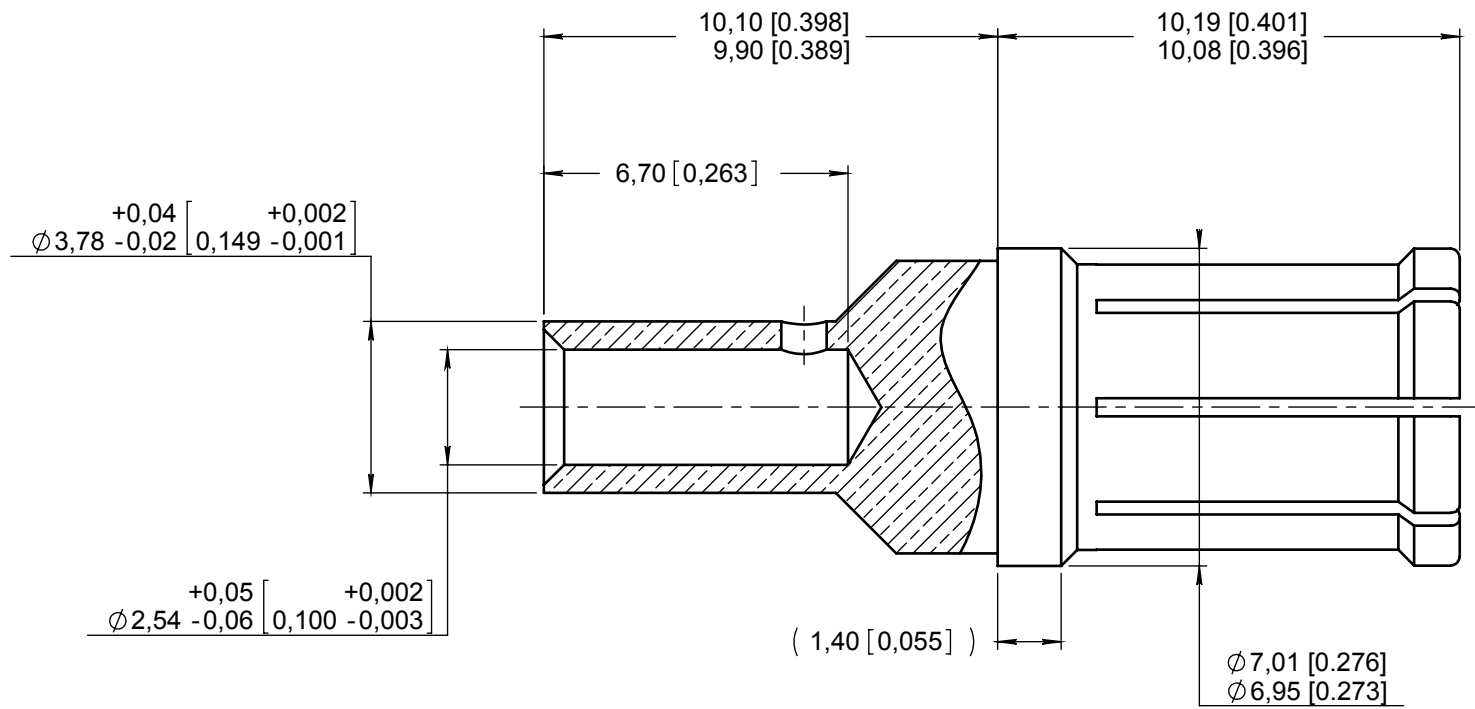
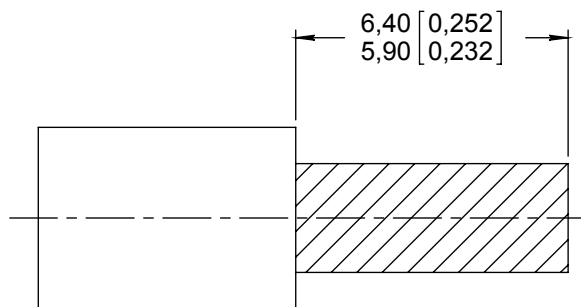


**Series**  
**EPX**
**Size 5 power socket contact**  
**For AWG 12, AWG 14 and AWG 16 cables.**
**Issue:**  
**Jul. 13, 2018**
**Page**  
**1/1**

**WIRING INSTRUCTIONS :**

- Cable stripped length


**MATERIAL AND FINISH :**

- Copper alloy, gold over nickel

**EXTRACTION TOOL :**

 - FOR AWG 16, AWG 14 & AWG 12 : M81969/28-01  
 Radiall P/N 282946

**CRIMPING TOOL :**

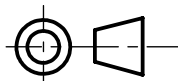
- FOR AWG 16; AWG 14 &amp; AWG 12 : Radiall P/N 282 613

**POSITIONER :**

- FOR AWG 16; AWG 14 &amp; AWG 12 : Radiall P/N 282 586 005

**SELECTOR SETTING :**

- FOR AWG 16 : 4
- FOR AWG 14 : 5
- FOR AWG 12 : 6

**DIMENSIONS : mm (inch are given for information only)**


Estimated weight : 2.5 g

<b>CREATION</b>  <b>PEN:</b>  <b>NOM:</b> L.Garcia <b>DATE:</b> Jan. 22, 07 <b>APPR.:</b> M.Pessard				
	Jul. 13, 18	Correction in dimension 6,7 [0,263] Added parentheses to dimension 1,4 [0,055]	Lopez C.	Weihls H.
	Sept 08, 14	Added AWG 14 wires and weight updated	SURAUULT	Vieira
	April 24, 13	Added AWG 16 wires	Vieira	Legloahec
	Issue	Revisions	Name	Approved

# Mouser Electronics

Authorized Distributor

Click to View Pricing, Inventory, Delivery & Lifecycle Information:

[Radial:](#)

[617370001](#)