

SERIES: SWI10B-E-USB | **DESCRIPTION:** AC-DC POWER SUPPLY

FEATURES

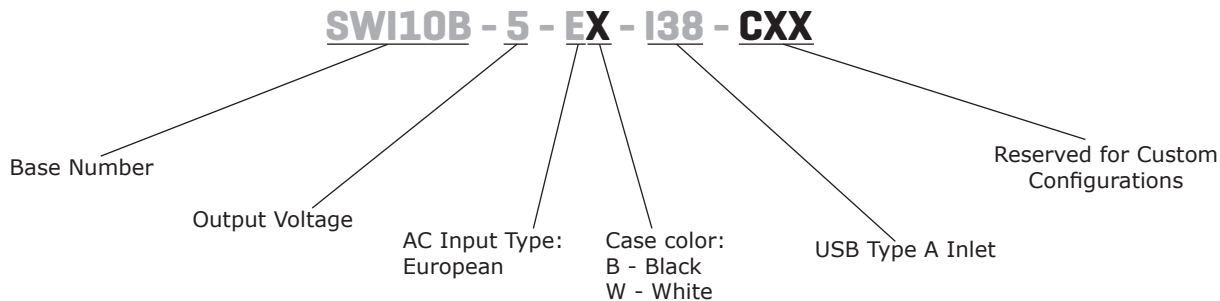
- up to 10 W continuous power
- DoE Level VI efficiency
- universal input voltage range
- ultra-compact case
- no load power consumption < 0.075 W
- over voltage, over current, and short circuit protections
- CE safety approval
- certified to IEC 62368-1 standards
- Class II construction
- black and white case options available



| MODEL | input voltage | input frequency | output voltage | output current | output power | ripple and noise ¹ | efficiency level | | no load power consumption |
|-----------------|---------------|-----------------|----------------|----------------|--------------|-------------------------------|--------------------------|---------|---------------------------|
| | range (Vac) | range (Hz) | nom (Vdc) | max (A) | max (W) | max (mVp-p) | average ² (%) | 10% (%) | typ (W) |
| SWI10B-5-EX-I38 | 90 ~ 264 | 47 ~ 63 | 5 | 2 | 10 | 300 | 83.3 | 80.0 | 0.05 |

Notes: 1. At full load, nominal AC input voltage, 25°C, 20 MHz bandwidth oscilloscope, output terminated with 0.1 µF and 10 µF capacitors to ground.
2. Average efficiency is measured at 25%, 50%, 75%, and 100% load.

PART NUMBER KEY



INPUT

| parameter | conditions/description | min | typ | max | units |
|---------------------------|--------------------------------------|-----|-----|-------|-------|
| voltage | | 90 | | 264 | Vac |
| frequency | | 47 | | 63 | Hz |
| current | at nominal input voltage | | | 0.3 | A |
| leakage current | at nominal input voltage & frequency | | | 0.25 | mA |
| no load power consumption | at 115/230 Vac | | | 0.075 | W |

OUTPUT

| parameter | conditions/description | min | typ | max | units |
|---------------|--------------------------|-----|-----|-----|-------|
| regulation | | | ±5 | | % |
| start-up time | at nominal input voltage | | | 3 | s |
| rise time | at nominal input voltage | | | 100 | ms |
| hold-up time | nominal input, full load | 5 | | | ms |

PROTECTIONS

| parameter | conditions/description | min | typ | max | units |
|--------------------------|---------------------------------|-----|-----|-----|-------|
| over voltage protection | | | | 10 | Vdc |
| over current protection | output shut down, auto recovery | | | 3.0 | A |
| short circuit protection | yes | | | | |

SAFETY & COMPLIANCE

| parameter | conditions/description | min | typ | max | units |
|-------------------|--|--------|----------------|-----|------------|
| isolation voltage | input to output at 10 mA for 1 minute | | 3,000 4,242 | | Vac Vdc |
| safety approvals | CE | | | | |
| EMI/EMC | EN55032:2015, EN55035:2017 | | | | |
| MTBF | as per Telcordia SR-332 (Issue 2), at 115/230 Vac, full load, 0°C~40°C | 50,000 | | | hours |
| RoHS | yes | | | | |

ENVIRONMENTAL

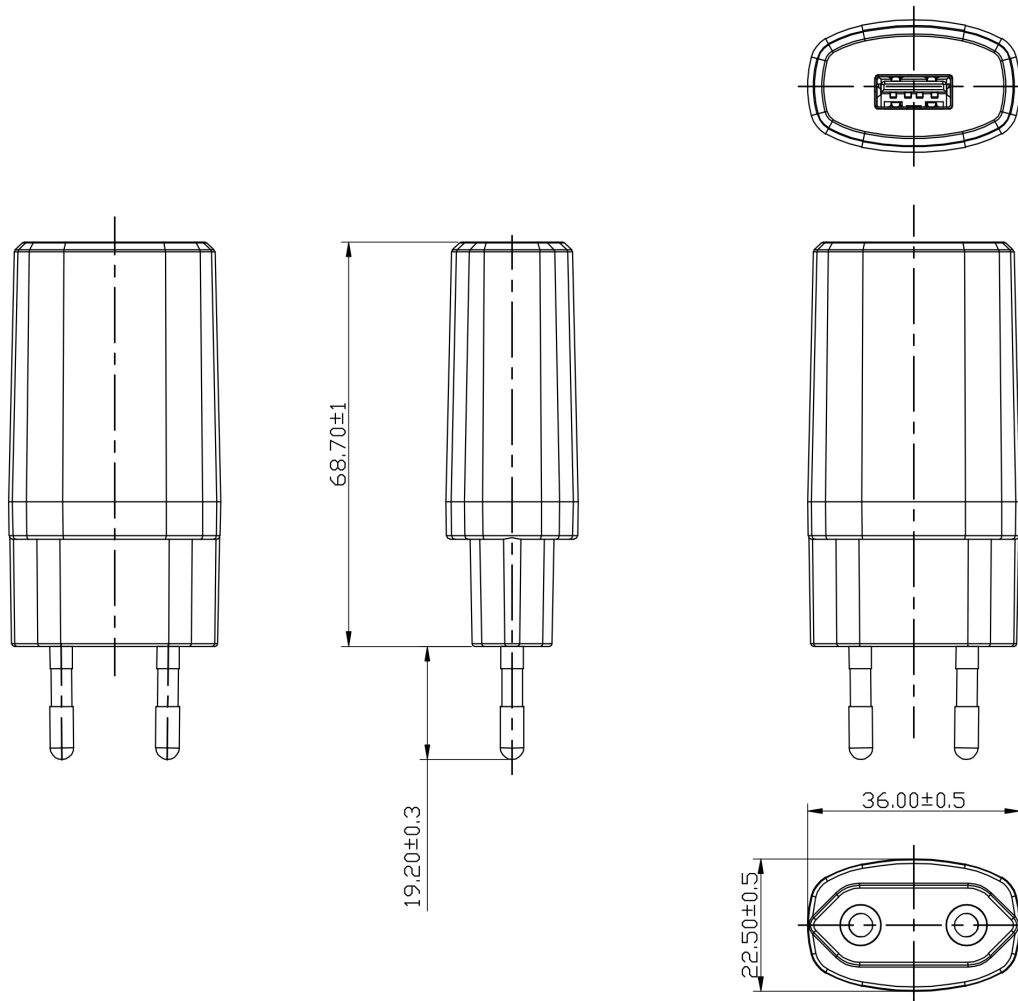
| parameter | conditions/description | min | typ | max | units |
|-----------------------|------------------------|-----|-----|-----|-------|
| operating temperature | | 0 | | 40 | °C |
| storage temperature | | -20 | | 60 | °C |
| operating humidity | non-condensing | 20 | | 85 | % |
| storage humidity | non-condensing | 5 | | 95 | % |

MECHANICAL

| parameter | conditions/description | min | typ | max | units |
|------------|------------------------|-----|-----|-----|-------|
| dimensions | 89.2 x 37 x 23.5 | | | | mm |
| inlet plug | EU, 2-pin | | | | |
| weight | | | 39 | | g |

MECHANICAL DRAWING

units: mm



REVISION HISTORY

| rev. | description | date |
|------|---------------------|------------|
| 1.0 | initial release | 04/22/2020 |
| 1.01 | model table updated | 11/27/2020 |

The revision history provided is for informational purposes only and is believed to be accurate.



Headquarters
20050 SW 112th Ave.
Tualatin, OR 97062
800.275.4899

Fax 503.612.2383
cui.com
techsupport@cui.com

CUI offers a two (2) year limited warranty. Complete warranty information is listed on our website.

CUI reserves the right to make changes to the product at any time without notice. Information provided by CUI is believed to be accurate and reliable. However, no responsibility is assumed by CUI for its use, nor for any infringements of patents or other rights of third parties which may result from its use.

CUI products are not authorized or warranted for use as critical components in equipment that requires an extremely high level of reliability. A critical component is any component of a life support device or system whose failure to perform can be reasonably expected to cause the failure of the life support device or system, or to affect its safety or effectiveness.