



LA4160

Single-Chip Tape Recorder Audio System

Features

- A single package containing preamplifier, ALC circuit, power amplifier.
- Preamplifier with high gain, and power amplifier with high gain and output.
1W typ. ($V_{CC}=6V$, $R_L=4\Omega$)
2.2W typ. ($V_{CC}=9V$, $R_L=4\Omega$)
- Minimum number of external parts required.
- Soft tone quality at the time of output saturation.
- Wide range of ALC and small variation in output voltage.
- Wide range of operating supply voltage.
- Small shock noise at the time of supply voltage ON/OFF (With built-in prevention circuit).
- Variable monitor capability due to recording amplifier consisting of preamplifier alone.

Specifications

Absolute Maximum Ratings at $T_a = 25^\circ C$

Parameter	Symbol	Conditions	Ratings	Unit
Maximum Supply Voltage	V_{CC} max		13	V
Allowable Power Dissipation	Pd max		1.2	W
		$50 \times 50 \times 1.5 \text{mm}^3$ Cu-coated	2.25	W
Operating Temperature	T_{opr}		-20 to +75	$^\circ C$
Storage Temperature	T_{stg}		-40 to +150	$^\circ C$

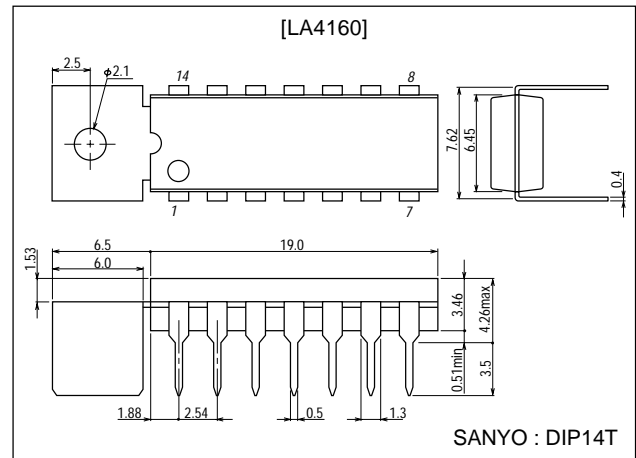
Recommended Operating Conditions at $T_a = 25^\circ C$

Parameter	Symbol	Conditions	Ratings	Unit
Supply Voltage	V_{CC}		6 to 9	V
Load Resistance	R_L		3.2 to 8	Ω

Package Dimensions

unit:mm

3005A-DIP14T



■ Any and all SANYO products described or contained herein do not have specifications that can handle applications that require extremely high levels of reliability, such as life-support systems, aircraft's control systems, or other applications whose failure can be reasonably expected to result in serious physical and/or material damage. Consult with your SANYO representative nearest you before using any SANYO products described or contained herein in such applications.

■ SANYO assumes no responsibility for equipment failures that result from using products at values that exceed, even momentarily, rated values (such as maximum ratings, operating condition ranges, or other parameters) listed in products specifications of any and all SANYO products described or contained herein.

SANYO Electric Co., Ltd. Semiconductor Company

TOKYO OFFICE Tokyo Bldg., 1-10, 1 Chome, Ueno, Taito-ku, TOKYO, 110-8534 JAPAN

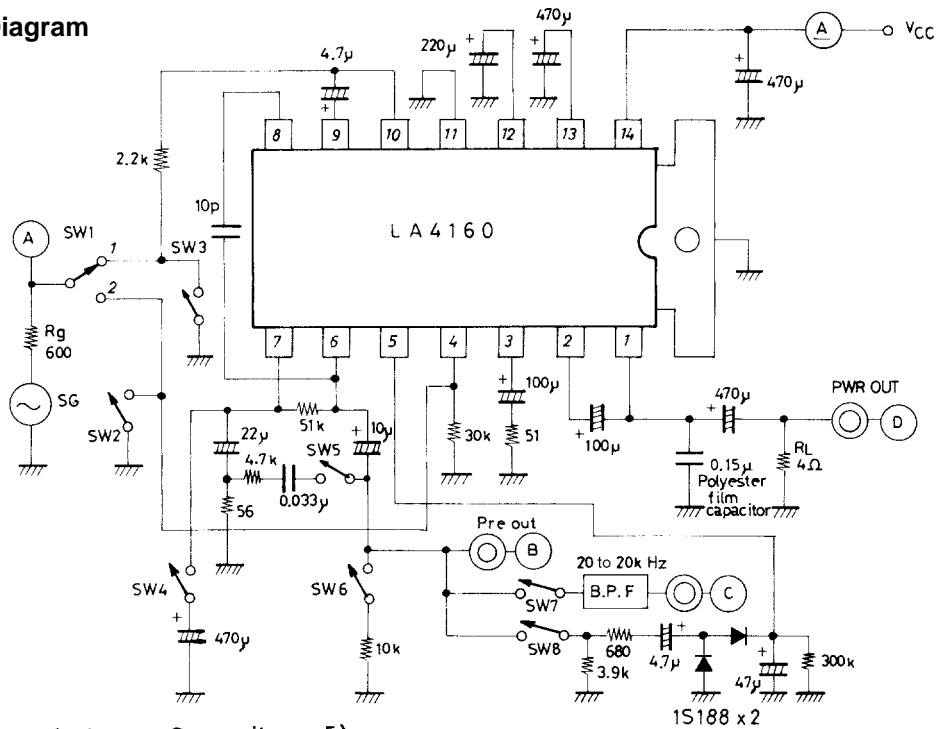
12800TH (KT)/41594HK/O207TA/4015KI/8171KI, TS No.870-1/11

LA4160

Operating Characteristics at $T_a = 25^\circ\text{C}$, $V_{CC}=6\text{V}$, $f=1\text{kHz}$, See specified Test Circuit

Parameter	Symbol	Conditions	Ratings			Unit
			min	typ	max	
Quiescent Current	I_{CCO}	$V_{CC}=6\text{V}$		18	30	mA
		$V_{CC}=9\text{V}$		23	40	mA
[Preampifier]						
Voltage Gain	VG	Open loop		85		dB
		Closed loop, Playback		40		dB
Maximum Output Voltage	V_O	THD=1%, Playback	0.9	1.2		V
Input Resistance	r_i		21	30		k Ω
Equivalent Input Noise Voltage	V_{NI}	Playback		1.0	2.0	μV
ALC Input Level	ALC	THD=1%, Playback	-20	-12		dBm
[Power amplifier]						
Voltage Gain	VG	Closed Loop, $R_f=51\Omega$	43	45	47	dB
Output Power	P_O	$V_{CC}=6\text{V}$, THD=10%	0.7	1.0		W
		$V_{CC}=7.5\text{V}$, THD=10%	1.0	1.5		W
		$V_{CC}=9\text{V}$, THD=10%	1.7	2.2		W
Total Harmonic Distortion	THD	$P_O=250\text{mW}$		0.3	1.5	%
Input Resistnace	r_i			30		k Ω
Output Noise Voltage	V_{NO}	$R_g=10\text{k}\Omega$		0.6	1.8	mV
Ripple Rejection	R_f	$R_g=0$, $V_R=150\text{mV}$, $f=100\text{Hz}$	40	45		dB

Test Circuit Diagram



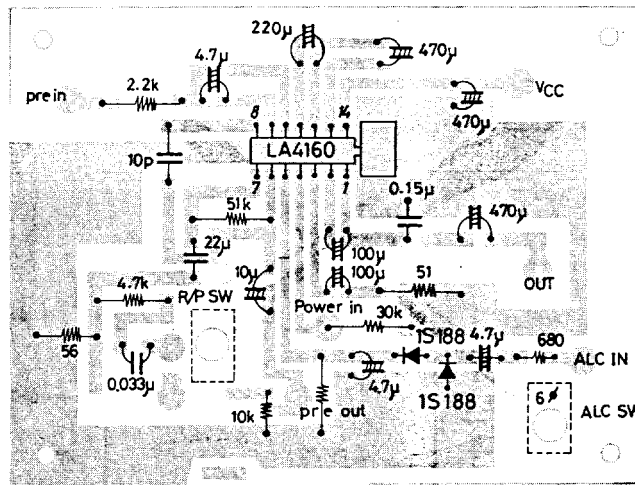
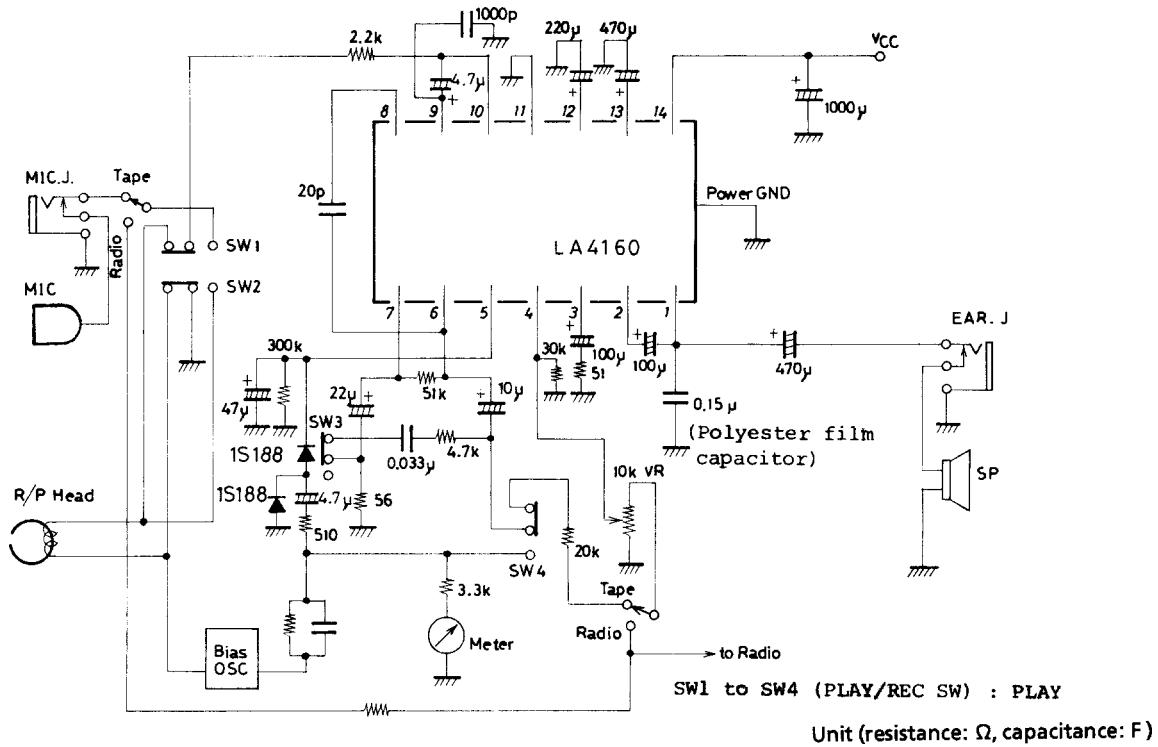
Unit (resistance: Ω , capacitance: F)

Test Method

Item	Switch	SW1	SW2	SW3	SW4	SW5	SW6	SW7	SW8	Test area	Test method
		SW1	SW2	SW3	SW4	SW5	SW6	SW7	SW8		
Power amplifier	I_{CCO}	-	on	on	off	on	on	off	off	-	Test circuit current.
	VG	2	off	off	off	on	on	off	off	A, D	$20\log V_O/V_i$ (dB), where input voltage is V_i , output voltage V_O .
	P_O	2	off	off	off	on	on	off	off	D	Test output voltage at THD=10% and convert it into output.
	THD	2	off	off	off	on	on	off	off	D	Test THD at output voltage $V_O=1\text{V}$.
	V_{NO}	-	on	off	off	on	on	off	off	D	Test output noise voltage.
	V_{NR}	-	on	off	off	on	on	off	off	D	Superpose ripple (100Hz) 150mV on supply voltage and test output ripple.
preampifier	V_{GO}	1	off	off	on	off	on	off	off	A, B	$20\log V_O/V_i$ (dB).
	V_O max	1	off	off	off	on	on	off	off	B	Test output voltage at THD=1%.
	V_{NI}	-	off	on	off	on	on	on	off	C	Convert output noise voltage at $R_g=2.2\text{k}$ by using gain at 1kHz.
	ALC Input level	1	off	off	off	off	off	off	on	A, B	Test input voltage at THD=1%.

LA4160

Sample Application Circuit 2 : Radio-Cassette Recorder



An Example of Printed Board (80 x 105 mm², Cu-foiled side)

Description of Application Circuit

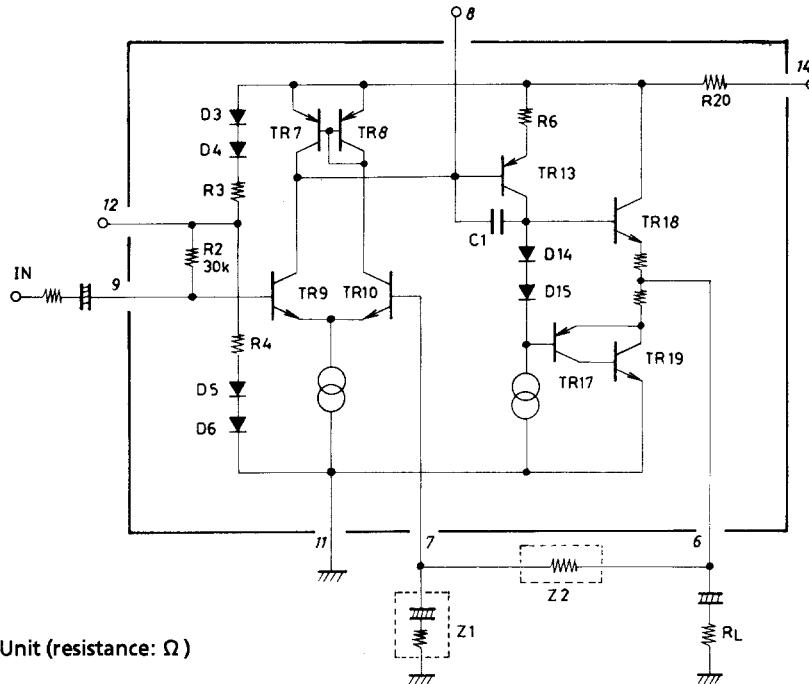
1. Preamplifier

The preamplifier circuit consists of the input differential stage (TR9, 10), level shift stage (TR13), and output stage (TR17, 18, 19). Since the output stage is of push-pull type, no remarkable drop in the output voltage occurs even at low load impedances and the output can be connected direct to the ALC circuit and meter circuit. The external DC/AC feedback resistor (Z2) can be set arbitrarily and the closed loop gain is obtained by the following equation.

$$VG(\text{pre}) = 20 \log \left(\frac{Z2}{Z1} \right) \text{ (dB)}$$

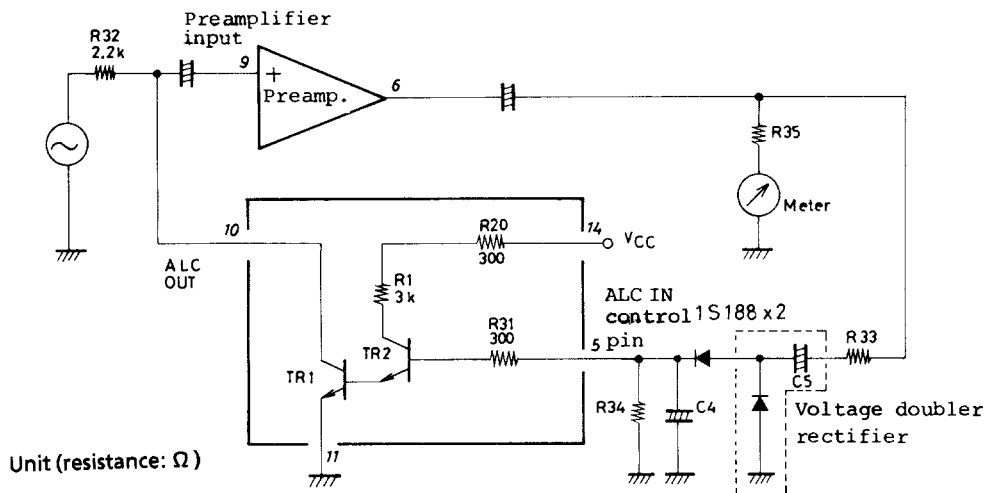
The input impedance depends on internal resistance R2 which is 30kΩ.

Preamplifier Circuit



Since the maximum output voltage for THD=1% drops at less than 600Ω of the composite load impedance viewed from output pin (6), it is desirable to make the composite load impedance more than 600Ω when using this IC. (Refer to V_O max, THD – R_L characteristics.)

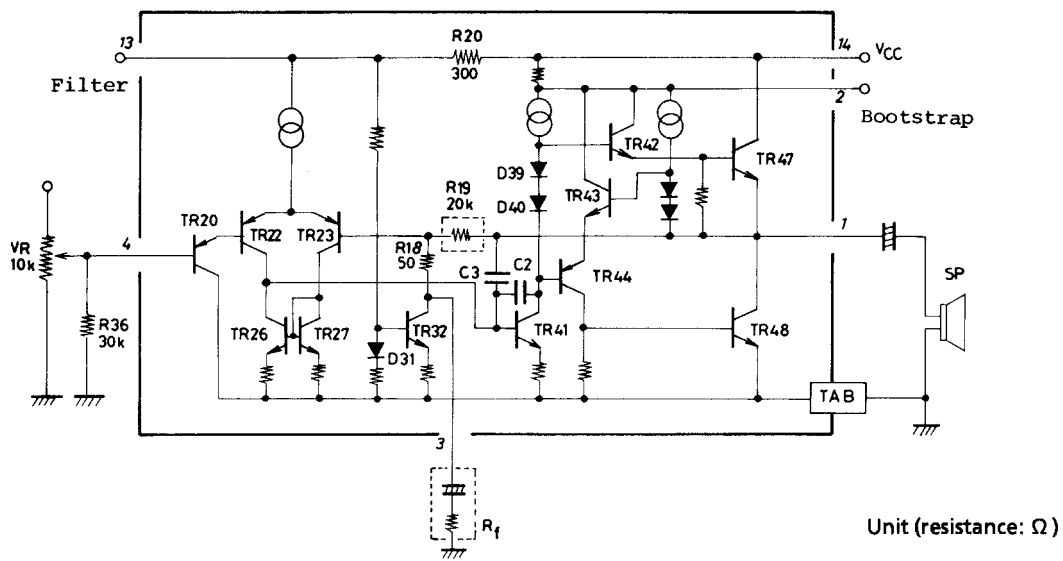
2. ACL Circuit



The ALC circuit is of Darlington configuration which consists of TR1, 2. The collector-to-emitter impedance of TR1 made variable by the DC voltage to be applied to control pin (5) and the input voltage of the preamplifier is controlled. When the DC voltage to be applied to pin (5) is set at approximately 1.1V, TR1, 2 are turned ON and ALC is turned ON. For the rectifier circuit, it is recommended to use the voltage doubler rectifier which is excellent in compression ratio. For the sets of 6V V_{CC} , it is recommended to use a germanium diode so that the ALC width can be made wider even at the time of decreased voltages.

LA4160

3. Power Amplifier



The power amplifier circuit consists of the differential stage (TR22, 23), predriver stage (TR41), driver stage (TR42, 44), and output stage (TR47,48). Bias resistor R36 of TR20 at the first stage is attached externally and the input impedance depends on this R36. Input pin (4) whose potential is nearly equal to the ground potential can be connected direct to the variable resistor without using an input coupling capacitor. The closed loop voltage gain is obtained by the following equation.

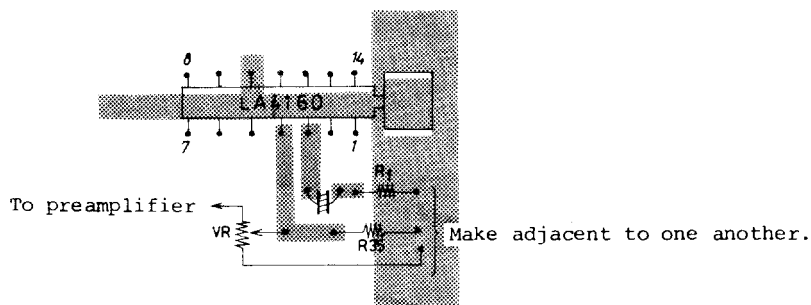
$$VG (pwr) = 20 \log \left\{ \frac{R19}{(R18 + R_f)} \right\}$$

Since R19=20kΩ, R18=50Ω are set, approximately 52dB max. is available if R_f=0 is taken.

Proper Cares in Using IC

1. Printed Circuit Board

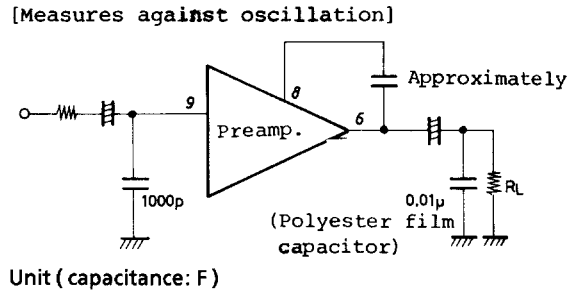
For the printed circuit board layout, refer to the printed circuit pattern example in principle. It is necessary that the grounding points of the power amplifier input (variable resistor), pin (3) feedback resistor (R_f), and bias resistor (R35) should be adjacent to one another. Especially, it should be noted that if a common impedance exists in the variable resistor grounding, the distortion, residual ripple, and cross interference (leak of signal between preamplifier and power amplifier) may worsen.



2. Oscillation

a) Preamplifier

Since oscillation may occur when used at a low voltage gain, a capacitor of approximately 10pF must be connected across pins (8) and (6) for phase compensation. If the capacitor connected across pins (8) and (6) has a large capacitance at a low load impedance, further oscillation may occur, and in this case the load pin must be grounded through a capacitor of approximately 0.01μF (Polyester film capacitor). The input pin must be grounded through a capacitor of approximately 1000pF for the purpose of prevention of radio disturbance and oscillation.

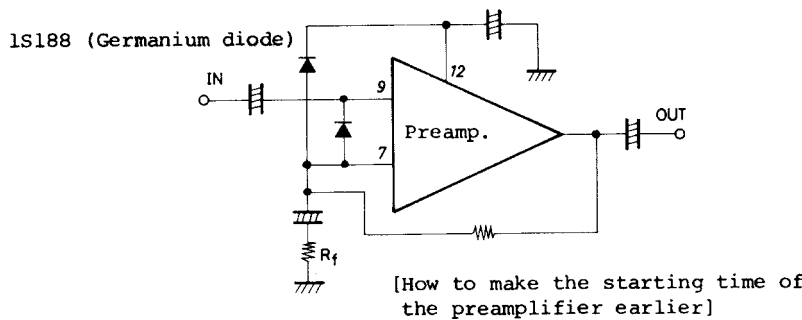


b) Power Amplifier

For the oscillation preventing capacitor connected across output pin (1) and ground, it is recommended to use a polyester film capacitor which is excellent in temperature characteristic and frequency characteristic. It should be noted, however, that if such a polyester film capacitor as to have a resonance point at a high frequency is used oscillation may not be prevented.

3. Shock Noise

The shock noise which occurs from the power amplifier at the time of power supply ON/OFF is reduced by means of the prevention circuit. However, when the starting time of the power amplifier is set earlier than that of the preamplifier or the power supply is turned ON immediately after turning OFF, it may happen that the shock noise of the preamplifier cannot be masked. In this case, a germanium diode is connected across pins (7) and (9), and pins (7) and (12) respectively to make the starting time as early as possible. Even if no germanium diode is connected across pins (7) and (12), the starting time can be made earlier, but the starting time can be made much earlier by using 2pcs. of germanium diode.

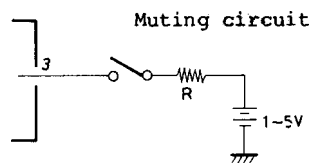


4. Power Supply for Radio's Built-in Capacitor Microphone

Pin (13) is for the low ripple power supply. This pin cannot be used as the power supply for a block, such as radio, which requires a large amount of current. The reason for this is that if this pin is used for this purpose, the middle point of the power amplifier shifts, thereby causing the drop in output. However, this pin can be safely used as the power supply for a built-in capacitor microphone.

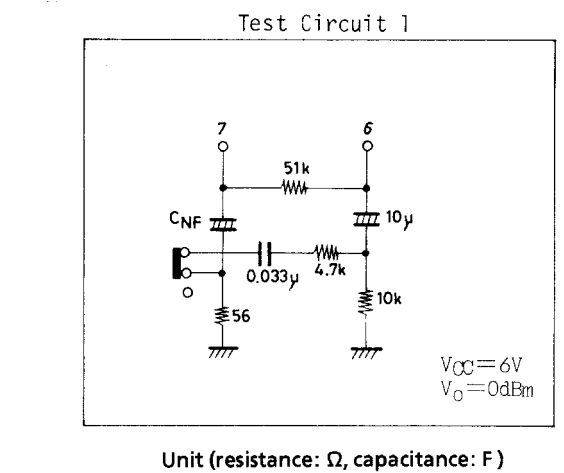
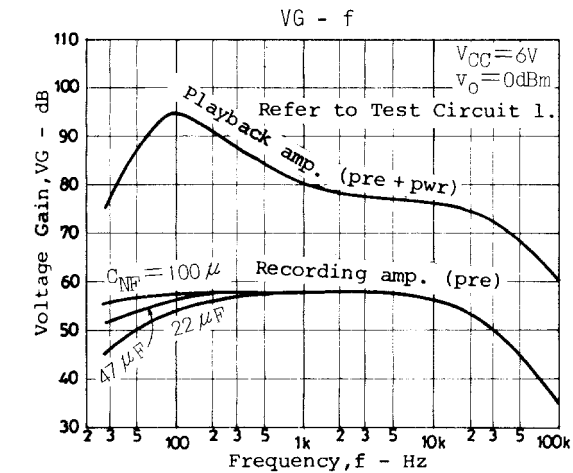
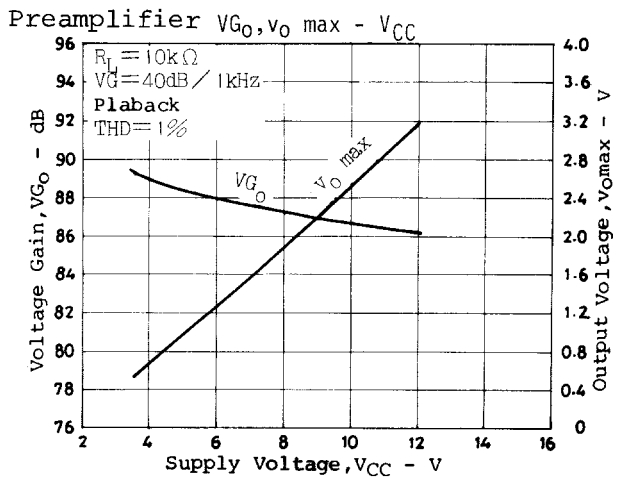
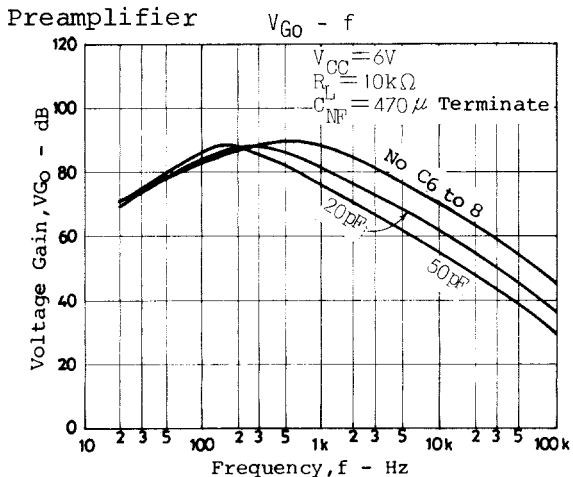
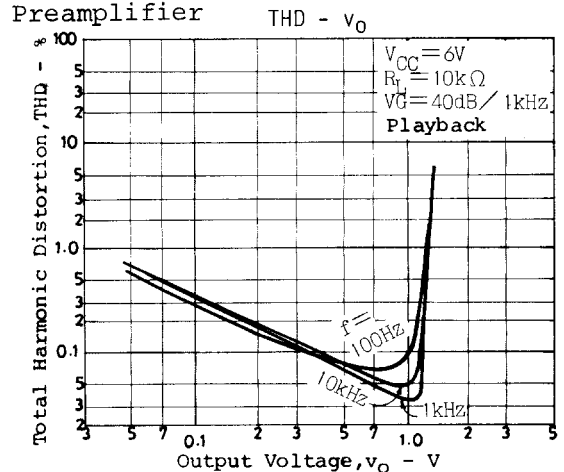
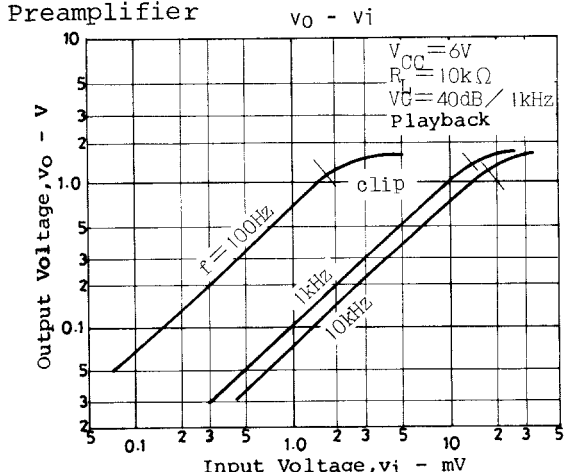
5. Recording Muting

The recording muting at the time of recording by use of the built-in microphone is enabled by applying 1 to 5V DC voltage to feedback pin (3) of the power amplifier. (Power amplifier : Cutoff)



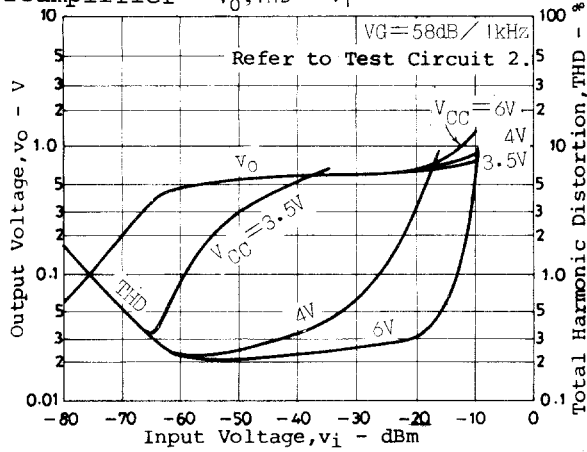
LA4160

6. In case of using in a radio-cassette recorder, the IC and the bar antenna must be arranged sufficiently distant from each other to avoid the radiation of higher harmonic component at the time of output saturation of the power amplifier.
7. Pin-to-pin short causes breakdown and deterioration.
8. Load short causes breakdown and deterioration of both preamplifier and power amplifier.

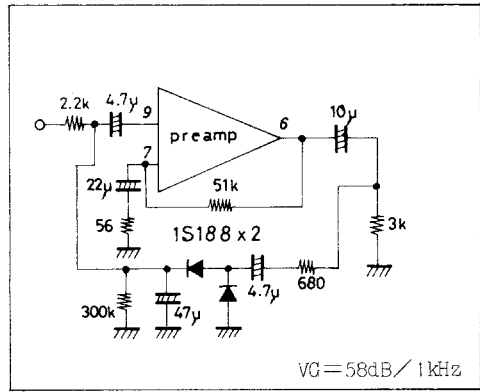


LA4160

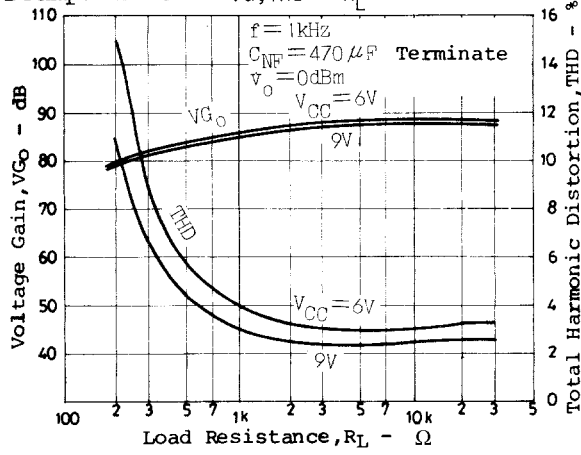
Preamplifier $v_{o,THD} - v_i$



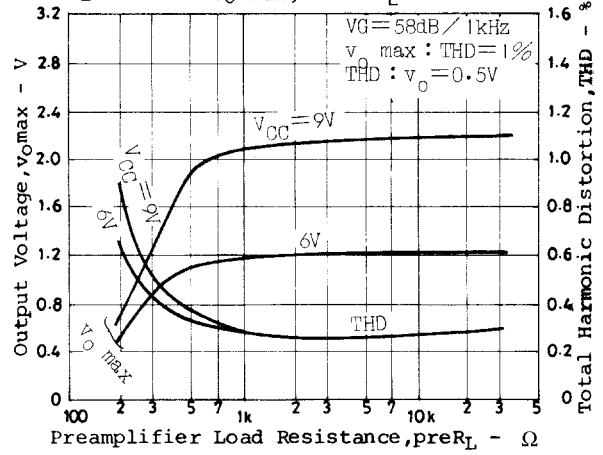
Test Circuit 2



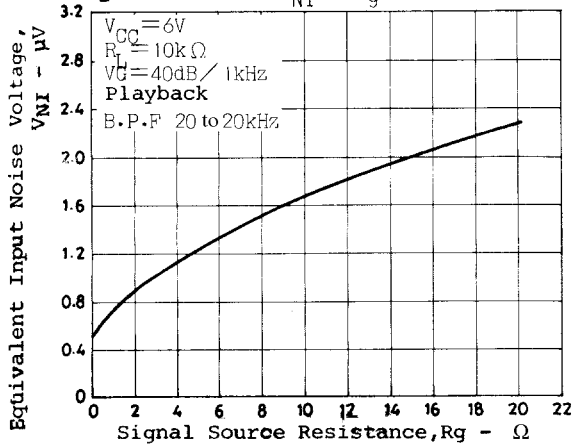
Preamplifier $V_G,THD - R_L$



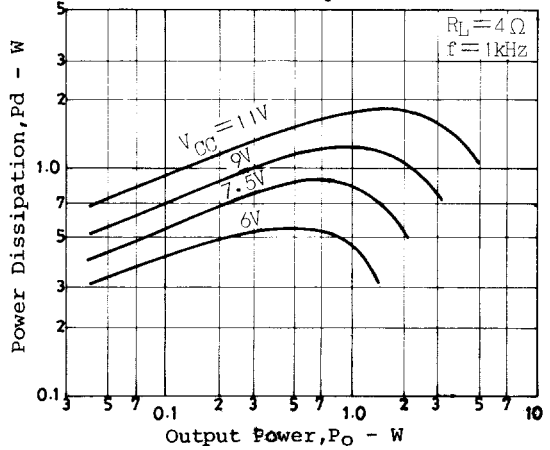
Preamplifier $v_{o,max},THD - R_L$



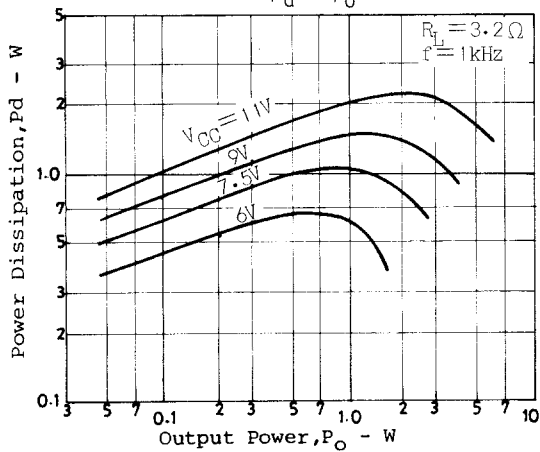
Preamplifier $V_{NI} - R_g$



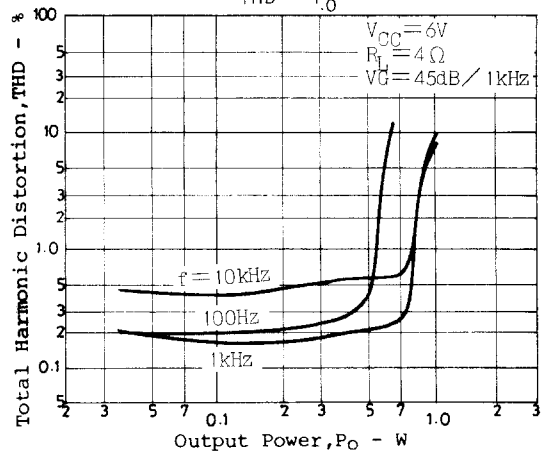
$P_d - P_o$



$P_d - P_o$

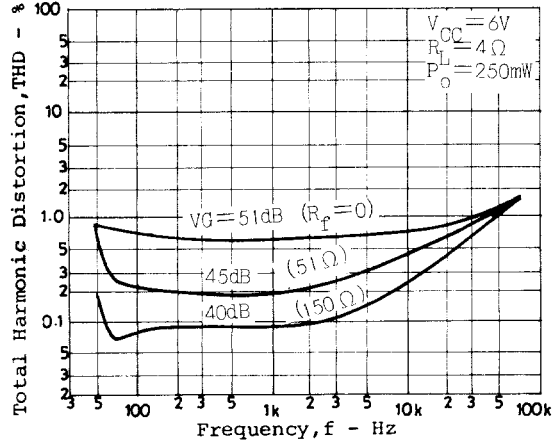


Power amplifier THD - P_o

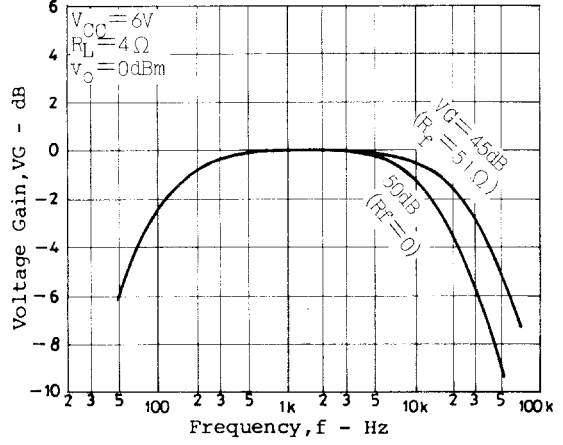


LA4160

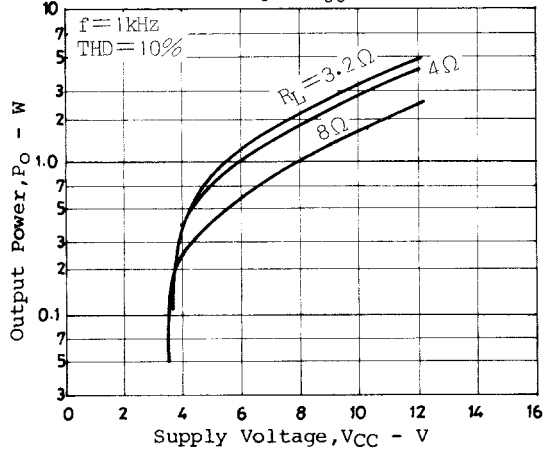
Power amplifier THD - f



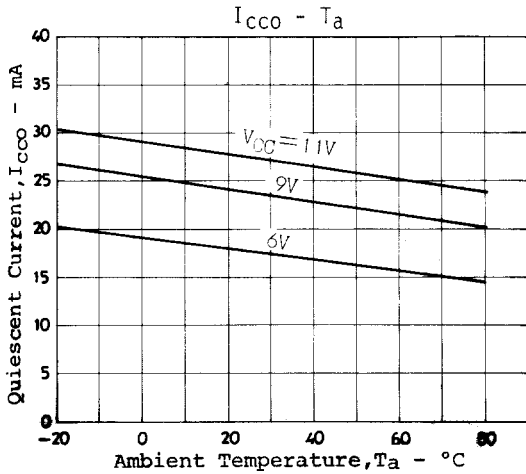
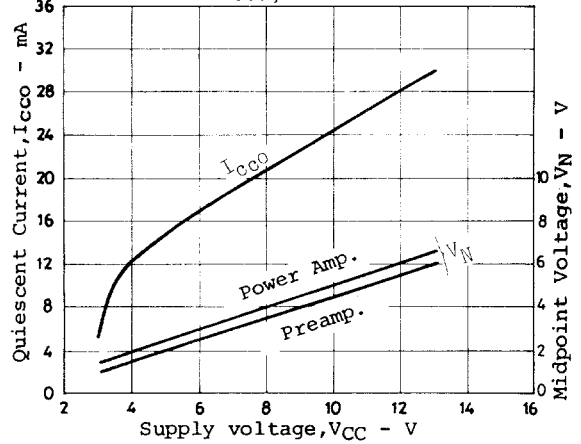
Power amplifier VG - f



Power amplifier $P_o - V_{CC}$



$I_{CCO}, V_N - V_{CC}$



- Specifications of any and all SANYO products described or contained herein stipulate the performance, characteristics, and functions of the described products in the independent state, and are not guarantees of the performance, characteristics, and functions of the described products as mounted in the customer's products or equipment. To verify symptoms and states that cannot be evaluated in an independent device, the customer should always evaluate and test devices mounted in the customer's products or equipment.
- SANYO Electric Co., Ltd. strives to supply high-quality high-reliability products. However, any and all semiconductor products fail with some probability. It is possible that these probabilistic failures could give rise to accidents or events that could endanger human lives, that could give rise to smoke or fire, or that could cause damage to other property. When designing equipment, adopt safety measures so that these kinds of accidents or events cannot occur. Such measures include but are not limited to protective circuits and error prevention circuits for safe design, redundant design, and structural design.
- In the event that any or all SANYO products(including technical data, services) described or contained herein are controlled under any of applicable local export control laws and regulations, such products must not be exported without obtaining the export license from the authorities concerned in accordance with the above law.
- No part of this publication may be reproduced or transmitted in any form or by any means, electronic or mechanical, including photocopying and recording, or any information storage or retrieval system, or otherwise, without the prior written permission of SANYO Electric Co., Ltd.
- Any and all information described or contained herein are subject to change without notice due to product/technology improvement, etc. When designing equipment, refer to the "Delivery Specification" for the SANYO product that you intend to use.
- Information (including circuit diagrams and circuit parameters) herein is for example only ; it is not guaranteed for volume production. SANYO believes information herein is accurate and reliable, but no guarantees are made or implied regarding its use or any infringements of intellectual property rights or other rights of third parties.

This catalog provides information as of January, 2000. Specifications and information herein are subject to change without notice.