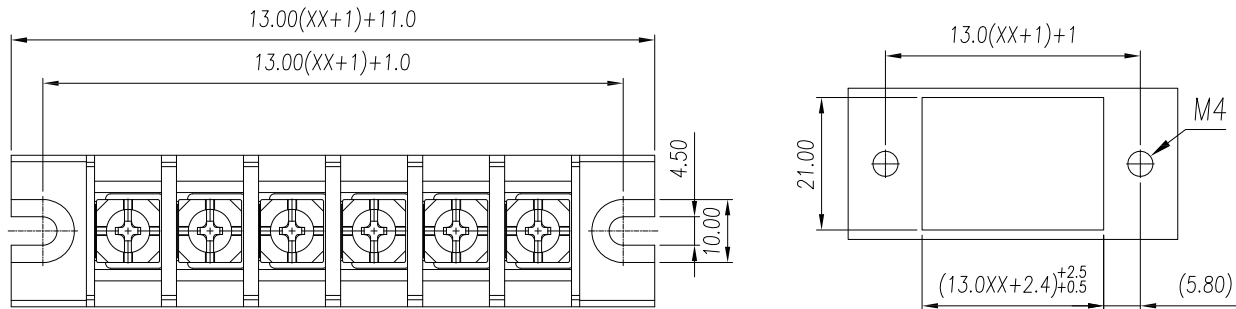
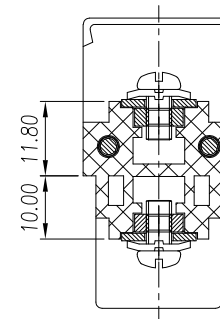
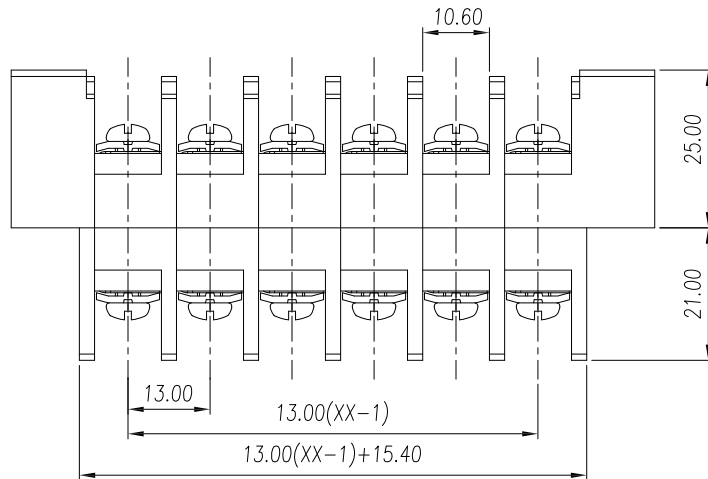
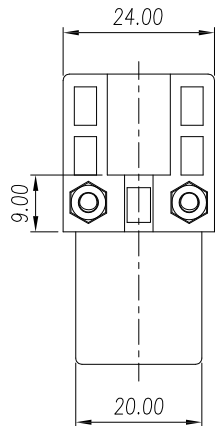


APPROVED: _____
 DATE: _____ TITLE: _____

Rev	AWO #	Description	Date	Appr
-		RELEASED	11/26/18	



RECOMMENDED P.C.B LAYOUT



Poles: 01 thru 15

linear dimension (Tolerances Standard)								—	∕	⊥	
variable		over	over	over	over	over	over		over	over	
range	to	6	10	30	60	100	160	to	10	100	
	to	10	30	60	100	160	to	10	100	to	
tolerance		±0.20	±0.30	±0.50	±0.70	±1.00	±1.30	±1.60	0.10	0.30	0.60

SPECIFICATIONS:
 Material:
 Insulator: PBT, rated UL 94V-0
 Insulator color: Black
 Contacts: Copper Alloy, Tin plated
 Screw: M4 Steel, Nickel plated
 Electrical:
 Voltage rating: 600 V
 Current rating: 50 A
 Contact resistance: 20 mohms
 Insulation resistance: 1000 Mohms / DC500V
 Dielectric withstanding voltage: 2,500 VAC for 1 minute
 Mechanical:
 Wire Range: 22~8 AWG
 Torque: 1.2Nm/10.6lb.in/12.2Kgf.cm
 Temperature Rating:
 -40°C to +130°C
 Environmental:
 Lead free, RoHS compliant.



UNLESS OTHERWISE SPECIFIED ALL DIMENSIONS ARE MILLIMETERS TOLERANCES: EXCEPT AS NOTED		ADAM TECH		909 Rahway Avenue, Union, NJ 07083 Phone: 908-687-5000 Fax: 908-687-5710	
SEE CHART		INTERCONNECTS			
APPROVALS		DATE			
DRAWN	AY	11/26/18			
CHECKED	AC	11/26/18			
APPROVED					
TITLE TERMINAL BLOCK, .512 [13.00] PITCH					
SIZE	PART NO.	REV.			
X	TBU-XX-W2	-			
REF:	S00067C	SCALE:	NTS	SHEET 1 OF 1	

6

5

4

3

2

1

6

5

4

3

2

1