



DS2786EVKIT Stand-Alone OCV-Based Fuel Gauge Evaluation Kit

www.maxim-ic.com

FEATURES

- Demonstrates the Capabilities of the DS2786 Stand-Alone OCV-Based Fuel Gauge Including:
 - Estimation of Available Capacity for Li+ Cells
 - Voltage Measurement
 - Current Measurement
 - Current Accumulation
 - Temperature Measurement
 - Information Storage
 - Thermistor Reading
- Interfaces to the USB Port of a PC Running Windows XP® or older operating system

EVALUATION KIT CONTENTS

- 1 pc. Evaluation Board
- 1 pc. DS9123O USB Port Adapter
- 1 pc. RJ-11 Cable

INDEX

- Evaluation Kit Contents
- Equipment Needed
- Introduction
- Setup and Installation
 - Board Connections
 - Software Installation
 - Selecting the COM Port
- Program Menus
 - Menu Windows
 - Status Register
 - Current Offset Register
- Program Tabs
 - Real Time Tab
 - Memory Tab
 - Parameters Tab
 - Log Data Tab

EQUIPMENT NEEDED

1. A PC running Windows XP or older operating system and an available USB port.
2. Cables with mini-grabber style clips or the ability to solder directly to connection pads.
3. A Li+ battery and a power supply and/or load circuit.

ORDERING INFORMATION

PART	TYPE
DS2786EVKIT+	EV Kit

+Denotes lead(Pb)-free and RoHS compliant.

Windows XP is a registered trademark of Microsoft Corp.

INTRODUCTION

The DS2786 evaluation kit (EV kit) makes performance evaluation, software development, and prototyping with the DS2786 stand-alone OCV-based fuel gauge easy. The evaluation board interfaces to a PC through a DS9123O USB adapter and RJ-11 cable connection.

Separate control tabs allow the user access to all memory locations, all control registers, and real-time updates of all monitored parameters. The software also incorporates a data-logging feature to monitor a cell over time.

The evaluation board circuit is designed to provide the DS2786 with accurate parameter measurements as well. Kit demonstration boards will vary as they are improved upon over time. For information on the demonstration board circuits, visit our website at www.maxim-ic.com.

SETUP AND INSTALLATION

BOARD CONNECTIONS

Connections to the TSSOP demonstration board are best made either by soldering directly to the pads or by using cables with mini-grabber clips. Communication to the TSSOP board can be accomplished either through the RJ-11 jack by connecting the provided standard six conductor RJ-11 cord.

Figures 1a and 1b show the recommended circuits to simulate charging and discharging. The Li+ cell is connected between the B+ and B- pads. The battery charger/power supply or circuit load is connected between the B+ and P- pads. The evaluation software can be run in either configuration as long as a cell is connected between the B+ and B- terminals providing a minimum of 2.5V to power the DS2786.

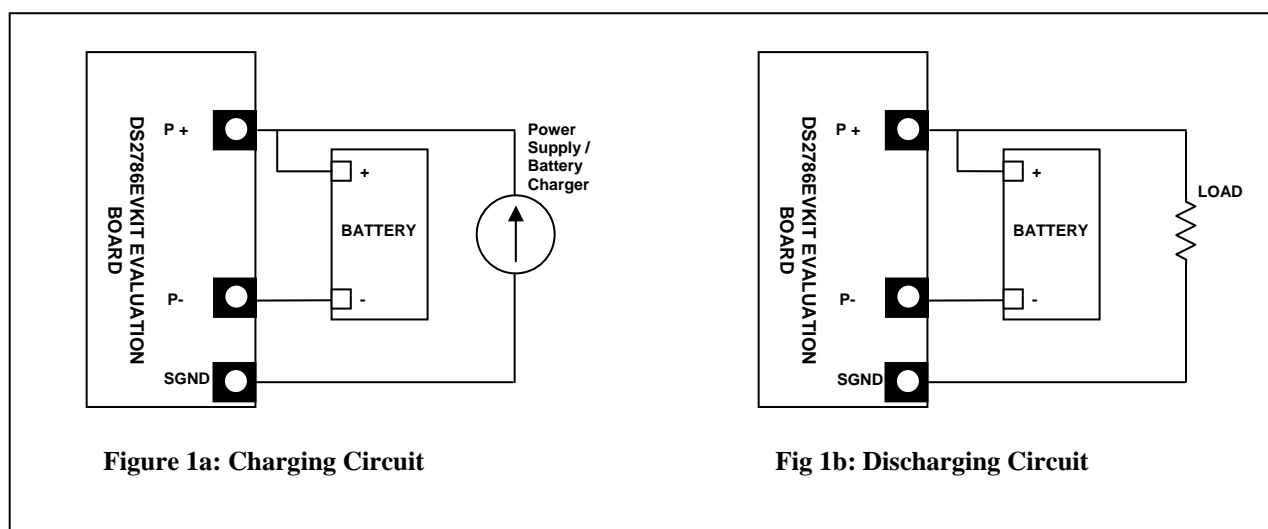


Figure 1a: Charging Circuit

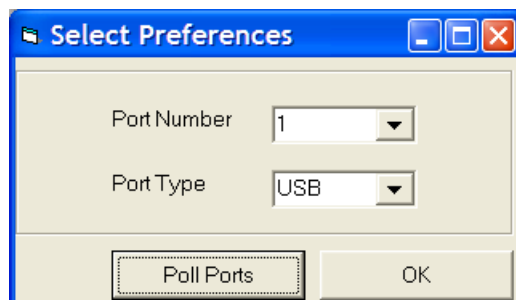
Fig 1b: Discharging Circuit

SOFTWARE INSTALLATION

To install the DS2786 EV kit software, exit all programs currently running and download the latest DS2786 EV kit software from our website at www.maxim-ic.com. Unzip the compressed file and double click the SETUP.EXE icon to begin the installation process. Follow the prompts to complete the installation. The DS2786 EV kit software can be uninstalled in the Add/Remove Programs tool in the Control Panel. After the installation is complete, open the DS2786K folder and run DS2786K.EXE or select DS2786K from the program menu. A splash screen containing information about the evaluation kit appears as the program is being loaded. All relevant data sheets and application notes on the DS2786 and DS2786 EV kit can be found on our website at www.maxim-ic.com.

SELECTING THE COMMUNICATION PORT

The first time the software runs, the Select Preferences window may appear. In this window, select either serial port or USB communication and the port number; then hit OK. The DS2786 EV kit software saves this port selection and automatically uses the selection each time the program starts. To change the port later, click the Preferences option on the menu bar, select Port Settings, and then select the appropriate port. To attempt to automatically locate the DS9123O, click the Poll Ports button. Warning—automatically polling for the DS9123O can disrupt other devices connected to your computer's COM ports.



PROGRAM MENUS

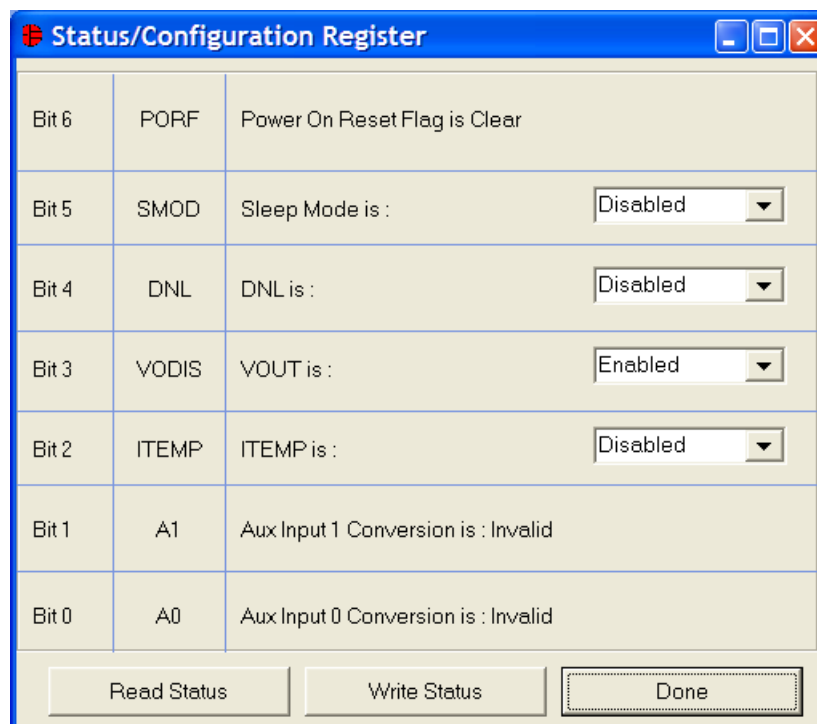
Several pull down menu options have been provided to simplify use of the DS2786 EV kit software for the user. Their functions are individually detailed below.

REGISTERS MENU



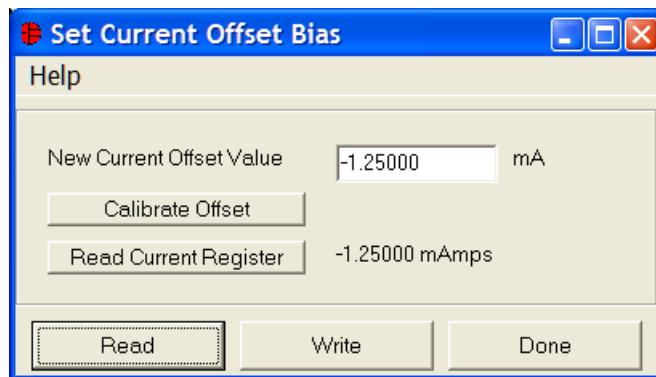
The Registers Menu gives immediate access to the Status register and the Current Offset Bias Register of the DS2786. Selecting either of the registers will open an individual control window giving the user a description of each register bit and the ability to read or write it.

STATUS/CONFIGURATION REGISTER



The present state of all register bits are displayed immediately upon opening the register window. R/W locations contain a selection field or command button to allow the user to determine their state. Pressing the Write Status button will write the new value to the register and read the corresponding register inside the DS2786 to verify the correct value was written. Note: This window does not copy these values to EEPROM. To copy the desired values to EEPROM, see the Parameters section.

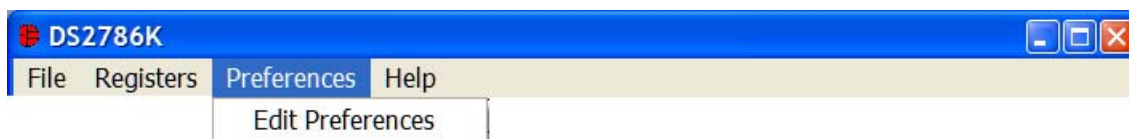
CURRENT OFFSET BIAS REGISTER



The Current Offset Bias can be entered into the text box and then written to the device by left-clicking on the Write button. A message box will be displayed asking if new offset should be copied to EEPROM. If Yes is clicked, a 15V programming voltage will need to be connected to the VPROG pin, as described in the Memory section below.

The Calibrate Offset button allows the software to auto-detect the current offset based on the reading of the Current register. The Read Current Register button will display the real time current reading from the Current Register.

PREFERENCES MENU



The Preferences Menu allows the user to change COM port settings at any time. Edit Preferences opens the Select Preferences window. See Selecting the communication port above.

HELP MENU

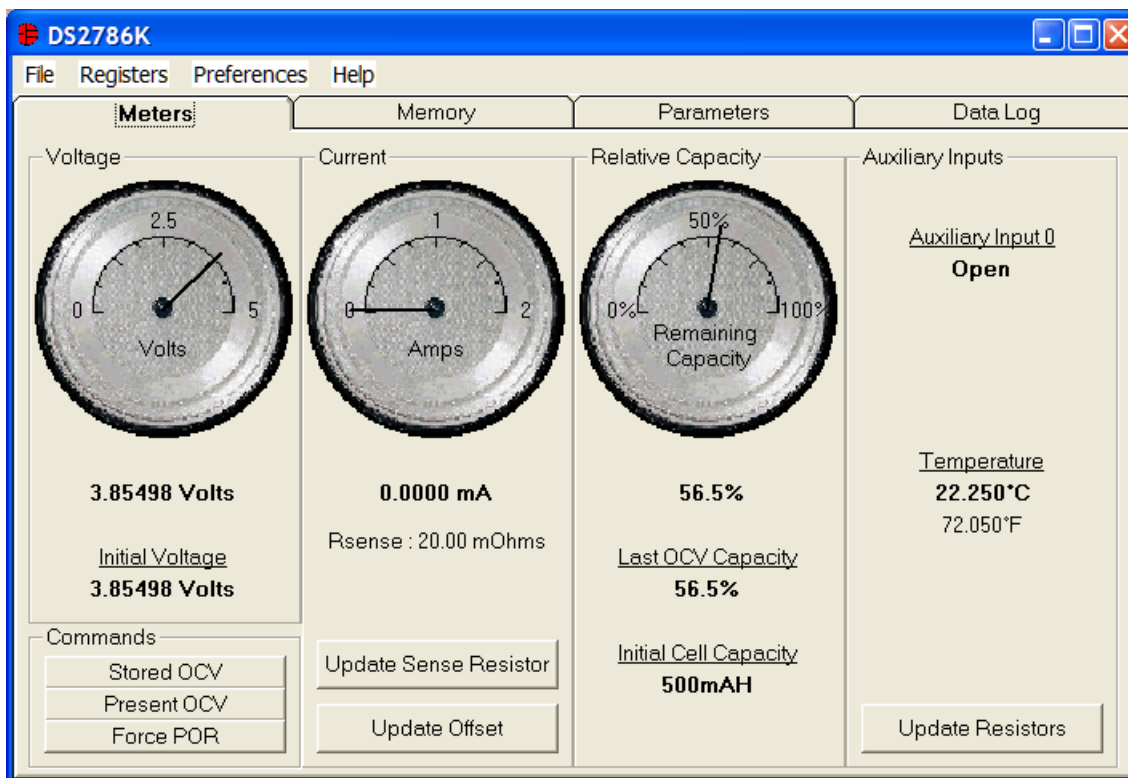


Selecting the About topic from the Help Menu will open a window containing information about the current revision of this program and Dallas Semiconductor.

PROGRAM TABS

All functions of the program are divided under four tabs in the main program window. Left click on the appropriate tab to move to the desired function page. Located on the Meters tab is all of the information measured and calculated by the DS2786. The Memory tab displays the contents of every register and memory location inside the DS2786 and allows the user to alter the data. The Parameters Tab gives the user access to the entire Parameter EEPROM memory block. The Data Log tab allows the user to store all real time information to a file and view the data in a graphical form.

REAL-TIME TAB



The Meters Tab displays the latest real-time measurements of cell voltage, auxiliary inputs, temperature, current and relative capacity with both analog meter readouts and digital values.

The Auxiliary Inputs can be used to measure an identification resistor or a thermistor that should be connected between AIN0 / AIN1 and SGND. Additionally, the DS2786 can be configured to return the temperature in the place of Auxiliary Input 1 by setting the ITEMP bit on the Status/Configuration Register.

UPDATE SENSE RESISTOR

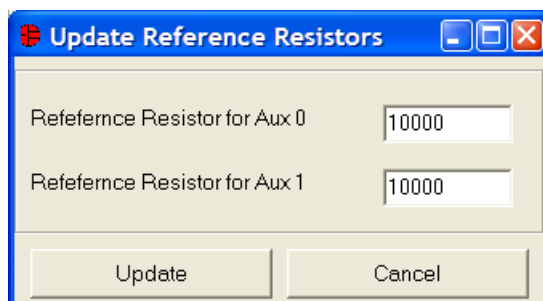
The 'Find Sense Resistor' dialog box is shown. It has a title bar with the text 'Find Sense Resistor'. The main area contains two sections. The first section is 'Enter a New Sense Resistor Value' with a text box containing '20' and the unit 'mOhms'. The second section is 'Force a Current to Determine Sense Resistor Value' with three rows: 'Current Forced' with a text box containing '1000' and the unit 'mAmps', 'Volts Measured' with a text box containing '0.00' and the unit 'mVolts', and 'Calculate Resistor' with a text box containing '0.02' and the unit 'mOhms'. At the bottom, there are 'Calculate Resistor', 'Cancel', and 'OK' buttons.

The sense resistor value used to calculate the current reading is shown in the current section. Left-click on the Update Sense Resistor button to open the Find Sense Resistor window.

The value of the sense resistor is not stored by the DS2786, but this value is stored on the host computer to calculate the current flowing across the sense resistor. This value will be remembered each time the DS2786 EV kit

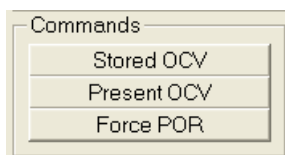
is started. The user can manually enter the Sense Resistor Value at the top of the window, or can allow the software to calculate the value. To allow the DS2786 EV kit to calculate the sense resistor, simply enter the value of the current that is flowing across the sense resistor in the Current Forced text box in terms of mAmps. Then left-click the Calculate Resistor button and the software will determine the value of the sense resistor and put the new value in the Sense Resistor Value text box at the top of the window. Click OK to accept the new Sense Resistor Value, or Click Cancel to ignore the changes that were made.

UPDATE REFERENCE RESISTORS



A known 10K resistor is used to determine the resistance of the Auxiliary Inputs. If the values of the resistors are not exactly 10K, or if other values are desired for the known resistors, simply left-click on the Update Resistors button and the Update Reference Resistors window will appear. Simply enter the correct reference resistance and left-click Update. Once again, this is only a software value, so it is not stored on the device, but it will be recalled each time the program is started.

COMMANDS

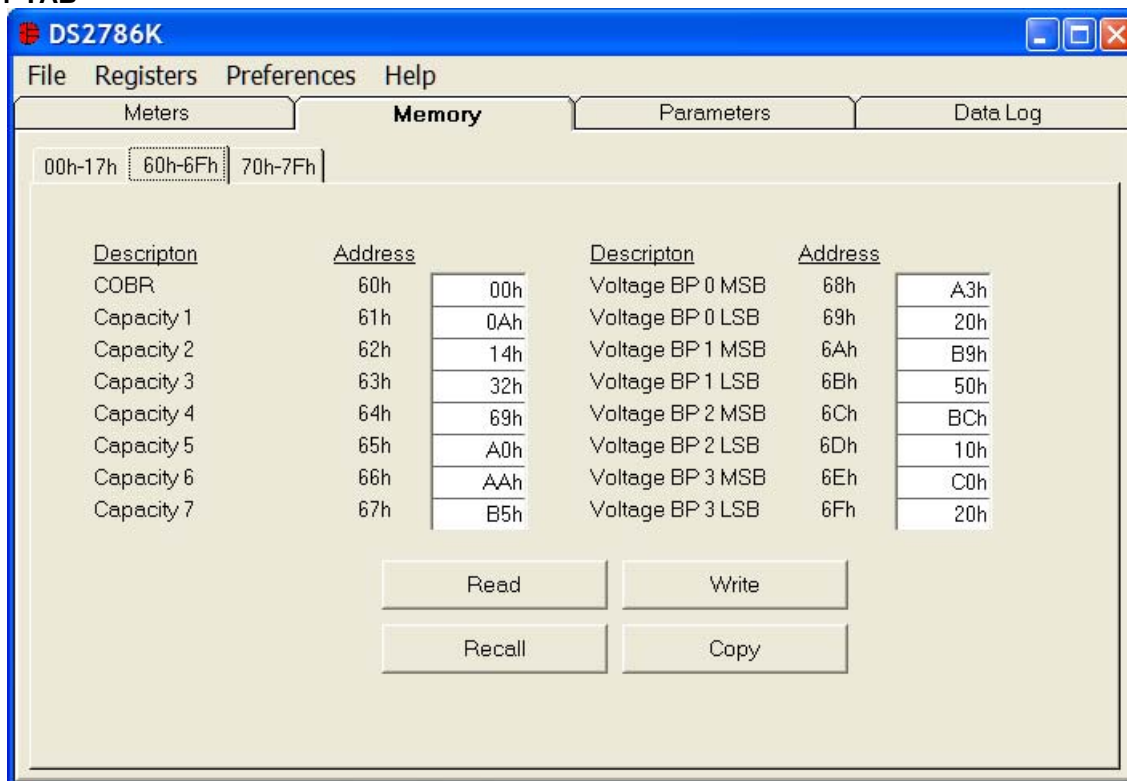


The Commands section provides access to the commands of the Command Register. Left-click on the Stored OCV button to force an OCV Calculation based on the voltage stored as the Initial Voltage. This will modify both the Relative Capacity Register and the Last OCV Register.

Left-click on the Present OCV button to force an OCV Calculation based on the present state of the Voltage register. This command will also modify the Relative Capacity and Last OCV Registers. This command should only be sent when there is an OCV condition on the cell. If current is flowing, a OCV calculation value will occur based on a loaded voltage, rather than an open-circuit voltage. This error will persist until an actual OCV condition is encountered and an OCV calculation can take place. This command is very useful when the DS2786 EV kit is powered by a power supply and the voltage is changed quickly and the user wants to monitor the Relative Capacity change with changes in voltage.

A Power-on Reset (POR) can be forced by left-clicking on the Force POR button. This will send the DS2786 through its Power On sequence.

MEMORY TAB



The Memory Tab gives the user access to read the contents of all of the Memory inside the DS2786. The Memory is divided into 3 Sub-Tabs which allows the user to view the Real-time registers as well as the values stored in EEPROM. Memory Addresses 60h – 7Fh are EEPROM locations. Left-clicking the Write or Read buttons will access the Shadow RAM. Left-clicking on the Copy or Recall buttons will transfer the data between the EEPROM locations and the Shadow RAM. A 15V programming voltage is required to copy the Shadow RAM to EEPROM. The software will prompt the user when the programming voltage should be connected to the DS2786 EV kit board to insure proper programming.

Some memory locations in the DS2786 are read-only, so they will not be altered by writing them.

PARAMETERS TAB

DS2786K

File Registers Preferences Help

Meters Memory **Parameters** Data Log

Cell Data

	Capacity	Voltage
Breakpoint 8	100	4.1711426 V
Breakpoint 7	90.5 %	4.0869141 V
Breakpoint 6	85 %	4.0417480 V
Breakpoint 5	80 %	4.0051270 V
Breakpoint 4	52.5 %	3.8305664 V
Breakpoint 3	25 %	3.7524414 V
Breakpoint 2	10 %	3.6730957 V
Breakpoint 1	5 %	3.6193848 V
Breakpoint 0	0	3.1860352 V

Current Offset Bias: 0.000 mA

Initial Cell Capacity: 500.000 mAH

Blanking/OCV Threshold: 7.500 mA

OCV dV/dt Threshold: 3.662 mV

I2C Address: 6Ch

Learn Threshold: 60 %

User EEPROM: 00h

Configuration Register

SMOD Sleep Mode Enable

DNL ...

VODIS VOUT Disable

ITEMP Temperature Enable

Write & Copy

Recall & Read

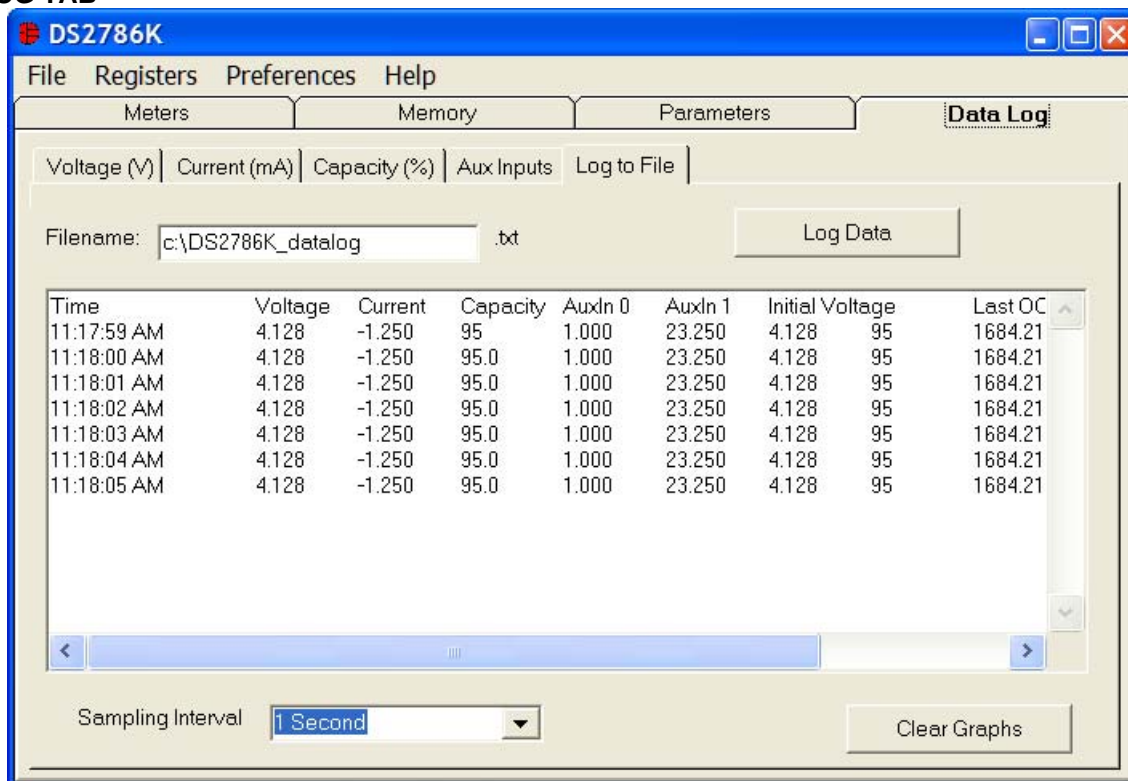
Save Set Up Load Set up Load Default Set Up

The Parameters Tab gives the user access to the entire Parameter EEPROM memory. The DS2786 comes preloaded with a best fit curve that was calculated based on characterization data taken from cells of various sizes and manufacturers. To change any of this information, simply click on the desired text field and enter the new value.

Clicking on the Load Default Set Up button will enter example data into the information fields of the Parameters Tab. Once all data is in the desired format, click on the Write & Copy button to copy it to the EEPROM of the DS2786. A message box will be displayed prompting the user to connect a 15V programming voltage which will need to be connected to the VPROG pin in order for the data to be copied to the EEPROM of the device.

Any changes to the information can also be stored to a file and recalled later using the Load/Save Set Up buttons or the Load/Save Parameters Set Up Menu Items. These functions do not directly write or read the DS2786. It is still necessary for the user to store or recall this information to or from the device by issuing a Write or Read buttons.

DATA LOG TAB



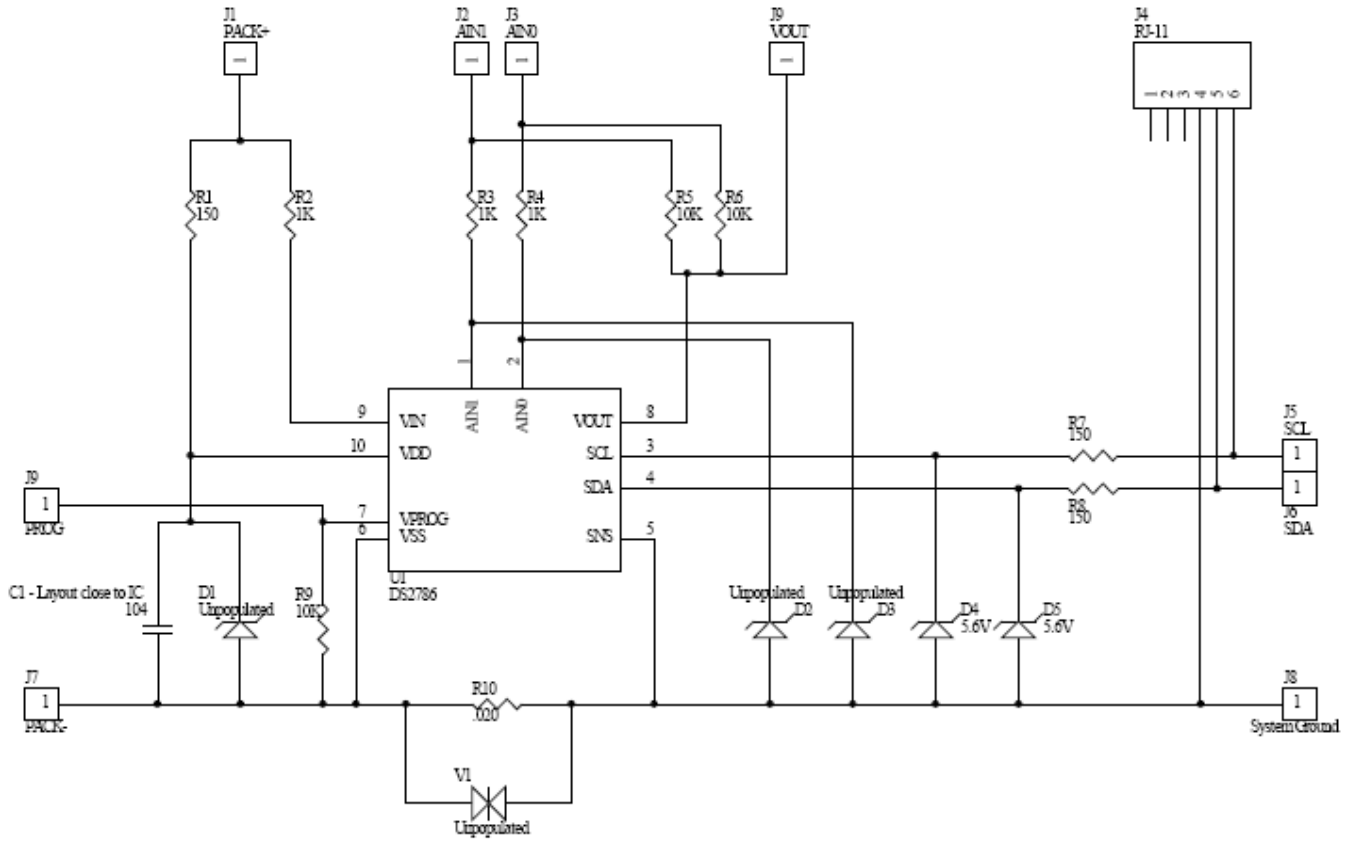
The Log Data tab allows the user to see the DS2786's real time measurements graphed over time. There are separate sub-tabs for voltage, current, capacity, and auxiliary inputs. Each graph displays the last 500 data points collected by the DS2786 EV kit software. The sampling interval can be adjusted from as fast as possible to 15 minutes and can be adjusted from the Sampling Interval Menu at the bottom of the window. The Clear Graphs button will clear all data from all four graphs, but does not reset the log to file function. When the Fastest sampling interval is selected, the graphs will not be updated, only the data logging is enabled.

The Log to File Sub Tab contains control information for storing all data to an ASCII file. The default filename is c:\DS2786K_datalog.txt, but can be modified in the filename text field. The Log Data button toggles data logging off and on. Data will be stored at the same interval selected for updating the graphs in the tab-delimited format of

"Time<tab>Voltage<tab>Current<tab>Capacity<tab>AuxIn0<tab>AuxIn1<tab>Initial Voltage
<tab>Last OCV<tab> Learned Charge Factor

for easy import into a spreadsheet. The most recent 50 samples are displayed in the window for observation. Warning—the Log Data function overwrites previous file information. Data previously stored in the file will be lost.

DS2740 EV KIT SCHEMATIC



REVISION HISTORY

REVISION DATE	DESCRIPTION	PAGES CHANGED
10/09	Changed the part number from DS2786K to DS2786EVKIT.	All

Mouser Electronics

Authorized Distributor

Click to View Pricing, Inventory, Delivery & Lifecycle Information:

[DS2786EVKIT+](#)