

TKM

TE Internal #: 8-1768048-1

TKM, Standard Labels, Self-Laminating, Die-Cut Label Style,
Permanent Pressure Sensitive Acrylic Adhesive, UL Listed No,
Width 25 mm [1 in]

[View on TE.com >](#)



Identification & Labeling > Labels > Standard Labels > TKM SELF LAMINATING VINYL LABELS



Label Type: **Self-Laminating**

Label Style: **Die-Cut**

Label Adhesive Type: **Permanent Pressure Sensitive Acrylic Adhesive**

UL Listed: **No**

Label Width: **25 mm [1 in]**

[All TKM SELF LAMINATING VINYL LABELS \(4\)](#)

Features

Product Type Features

Printable Label Height	25 mm[1 in]
Label Type	Self-Laminating

Dimensions

Compatible Cable Diameter (Min)	8 mm[.313 in]
Compatible Cable Diameter (Max)	15.9 mm[.627 in]

Usage Conditions

Operating Temperature Range	-30 – 120 °C[-22 – 248 °F]
-----------------------------	----------------------------

Printer/Label Features

Number of Labels Across	3
Recommended Printer Ribbon	See Printer Ribbon Matrix
Label Style	Die-Cut
Label Width	25 mm[1 in]
Label Height	75 mm[3 in]
Label Material	Vinyl
Label Thickness	80 Micron

Industry Standards

UL Listed	No
-----------	----

Packaging Features

Packaging Quantity	60
Packaging Method	Booklet

Other

Label Adhesive Type	Permanent Pressure Sensitive Acrylic Adhesive
---------------------	---

Product Compliance

For compliance documentation, visit the product page on [TE.com](https://www.te.com)>

EU RoHS Directive 2011/65/EU	Compliant
EU ELV Directive 2000/53/EC	Compliant
China RoHS 2 Directive MIIT Order No 32, 2016	No Restricted Materials Above Threshold
EU REACH Regulation (EC) No. 1907/2006	Current ECHA Candidate List: JUL 2021 (219) Candidate List Declared Against: JAN 2019 (197) SVHC > Threshold: Not Yet Reviewed
Halogen Content	Not Low Halogen - contains Br or Cl > 900 ppm.
Solder Process Capability	Not applicable for solder process capability

Product Compliance Disclaimer

This information is provided based on reasonable inquiry of our suppliers and represents our current actual knowledge based on the information they provided. This information is subject to change. The part numbers that TE has identified as EU RoHS compliant have a maximum concentration of 0.1% by weight in homogenous materials for lead, hexavalent chromium, mercury, PBB, PBDE, DBP, BBP, DEHP, DIBP, and 0.01% for cadmium, or qualify for an exemption to these limits as defined in the Annexes of Directive 2011/65/EU (RoHS2). Finished electrical and electronic equipment products will be CE marked as required by Directive 2011/65/EU. Components may not be CE marked. Additionally, the part numbers that TE has identified as EU ELV compliant have a maximum concentration of 0.1% by weight in homogenous materials for lead, hexavalent chromium, and mercury, and 0.01% for cadmium, or qualify for an exemption to these limits as defined in the Annexes of Directive 2000/53/EC (ELV). Regarding the REACH Regulation, the information TE provides on SVHC in articles for this part number is based on the latest European Chemicals Agency (ECHA) 'Guidance on requirements for substances in articles' posted at this URL: <https://echa.europa.eu/guidance-documents/guidance-on-reach>

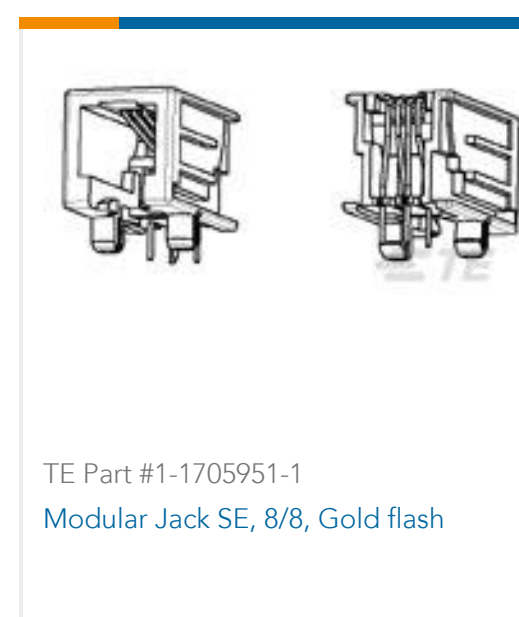
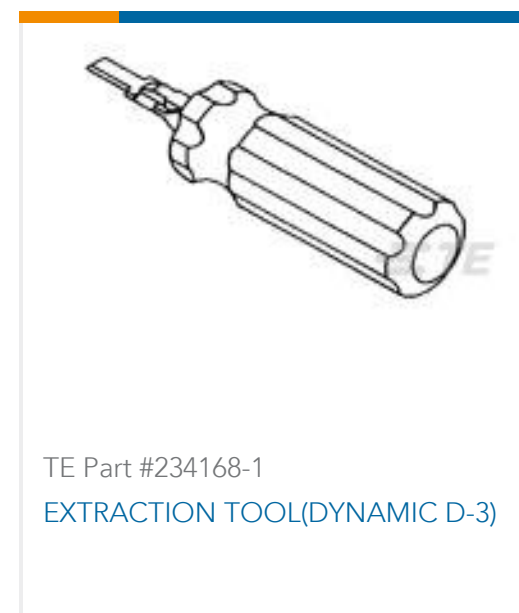
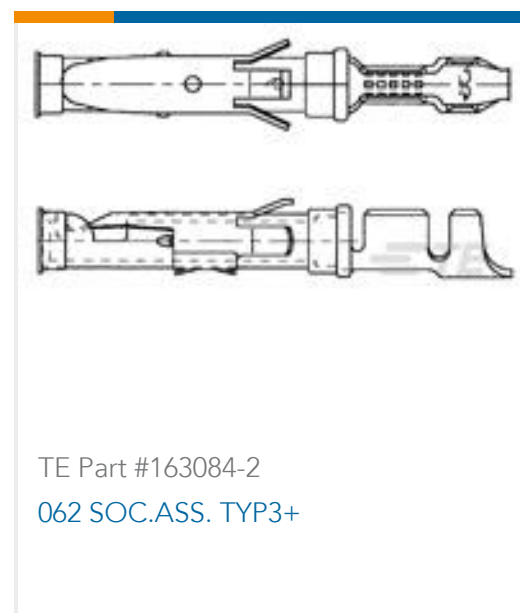
Compatible Parts



Also in the Series | TKM



Customers Also Bought



Documents

Product Drawings

TKM75-N

English

Datasheets & Catalog Pages

IDENTIFICATION SELECTION GUIDE

English



TKM BKM self laminating labels

English