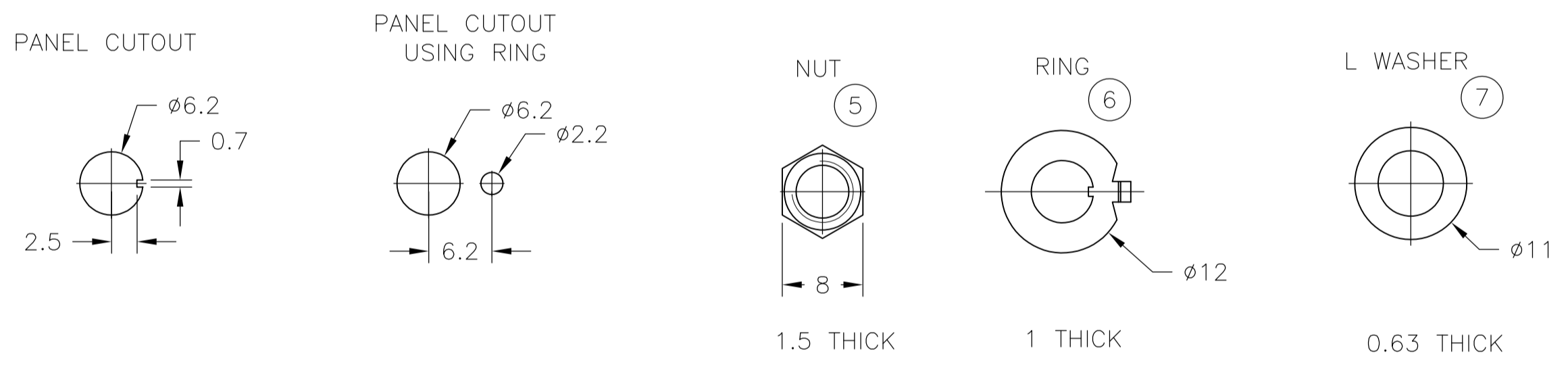


FUNCTION CHART					
TE PN	PART	TERMINALS 1 AND 2 4 AND 5	TERMINALS 1 AND 2 5 AND 6	TERMINALS 2 AND 3 4 AND 5	TERMINALS 2 AND 3 5 AND 6
4-6437630-5	FTP A0904	ON	OFF	ON	ON
4-6437630-2	FTN0904	ON	NONE		ON
4-6437630-4	FTR0904	ON	NONE		(ON)
4-6437630-6	FTP0904	ON	OFF		ON
4-6437630-1	FTT0904	ON	OFF		(ON)
4-6437630-3	FTS0904	(ON)	OFF		(ON)
6-6437630-8	FTN09G04	ON	NONE		ON

(ON): MOMENTARY ACTION  
 OFF: MECHANICAL POSITION WITHOUT ELECTRICAL CONNECTION  
 NONE: NO MECHANICAL POSITION

DATE CODE PRINTING LAST DIGIT OF YEAR  
 A-L = JANUARY TO DECEMBER DAY



- 1 0.5VA NO SWITCH FUNCTION WILL BE MARKED BUT WILL BE MARKED GOLD CON
- 2 OPERATING TEMPERATURE -20°C TO +70°C
- 3 ALL MATERIALS AND FINISHES COMPLY WITH RoHS DIRECTIVE

CONTACT MATERIAL	COMMON	TE PN	PART	RATING	INITIAL CONTACT RESISTANCE	INSULATION RESISTANCE	DIELECTRIC STRENGTH	ENDURANCE
99.8% Silver + C3602BD Ep-Cu/Ni3,AuFb	C3602BD Ep-Cu/Ni3,Au1b	6-6437630-8	FTN09G04	20V AC/DC 0.4 VA MAX	MAX 10 MILLIOHMS AT DC 2~4V 0.1A	MIN 1000 M Ohms AT DC 500V	AC 1KV/1 Min (AC 1.2KV/1 SEC)	ELECTRICALLY 50,000 CYCLES AT 20 CYCLES/MIN (RATED LOAD RESISTIVE) MECHANICALLY 100,000 CYCLES AT 20 CYCLES/MIN
	C3602BD Ep-Cu/Ni3,AuFb	4-6437630-5 4-6437630-2 4-6437630-6 4-6437630-3	FTP A0904 FTN0904 FTR0904 FTS0904	AC 125V 6A AC 250V 6A	MAX 10 MILLIOHMS AT DC 2~4V 1A	MIN 1000 M Ohms AT DC 500V	AC 1KV/1 Min (AC 1.2KV/1 SEC)	ELECTRICALLY 50,000 CYCLES AT 20 CYCLES/MIN (RATED LOAD RESISTIVE) MECHANICALLY 50,000 CYCLES AT 20 CYCLES/MIN
		4-6437630-4 4-6437630-1	FTR0904 FTT0904	AC 125V 6A AC 250V 6A	MAX 10 MILLIOHMS AT DC 2~4V 1A	MIN 1000 M Ohms AT DC 500V	AC 1KV/1 Min (AC 1.2KV/1 SEC)	ELECTRICALLY 50,000 CYCLES AT 20 CYCLES/MIN (RATED LOAD RESISTIVE) MECHANICALLY 50,000 CYCLES AT 20 CYCLES/MIN

MATERIALS CHART				
OPTIONAL DESCRIPTION	MATERIAL/SURFACE	PART NAME	PART NO	
	Ep-Fe/Cu2,Ni4b	SK-5	L WASHER	7
	Ep-Fe/Cu2,Ni3b	SPCC	RING	6
	Ep-Cu/Ni3b	C3602BD	NUT	5
	Ep-Cu/Ni3,Cr1b	C3602BD	ACTUATOR	4
	Ep-Cu/Ni3b	C3602BD	BUSHING	3
		SUS	FRAME	2
	POLYESTER RESIN	CASE		1

PART LIST							
THIS DRAWING IS A CONTROLLED DOCUMENT.							
DIMENSIONS: mm		TOLERANCES UNLESS OTHERWISE SPECIFIED:		0 PL ± - 1 PL ± - 2 PL ± - 3 PL ± - 4 PL ± - ANGLES ± ± -		DWN: RAGHAVENDRA CHK: MICHAEL WILBOURN APD: MICHAEL WILBOURN NAME: MICHAEL WILBOURN	
MATERIAL: -		FINISH: -		Tyco Electronics Corporation Harrisburg, PA 17105-3608		TOGGLE SWITCH F-SERIES DP STANDARD LEVER	
CUSTOMER DRAWING				SIZE: A1 CASE CODE: 00779 DRAWING NO: 1968511 SCALE: 1:1			
				SHEET 1 OF 1 REV A1			