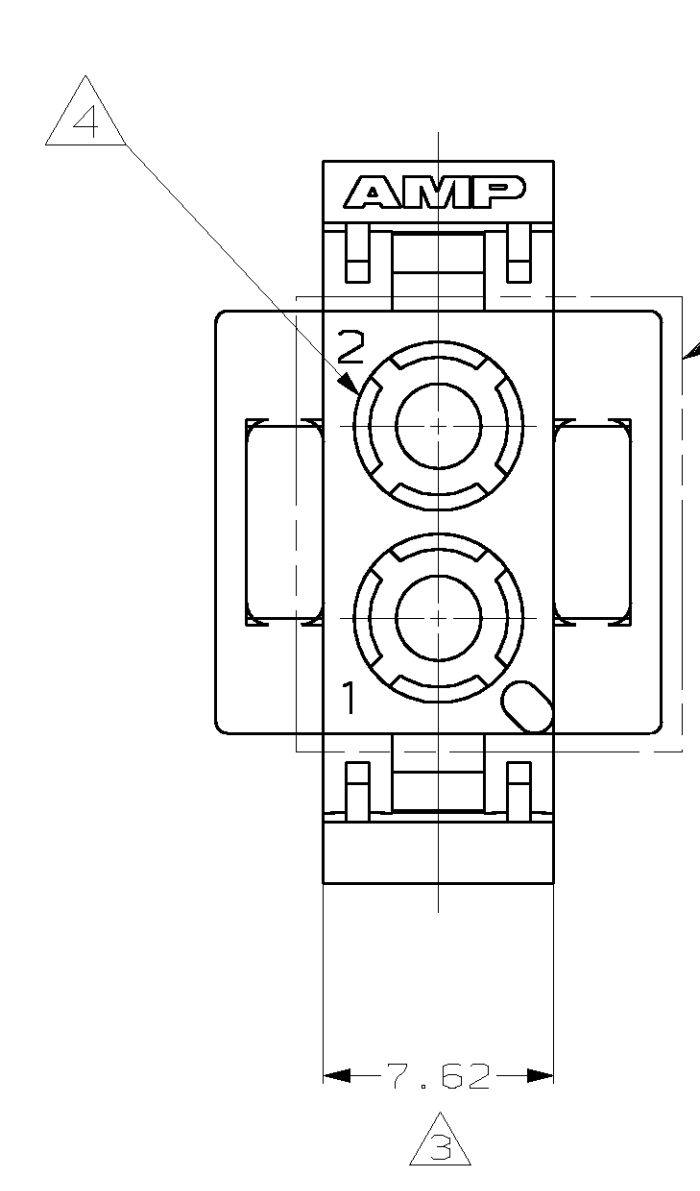
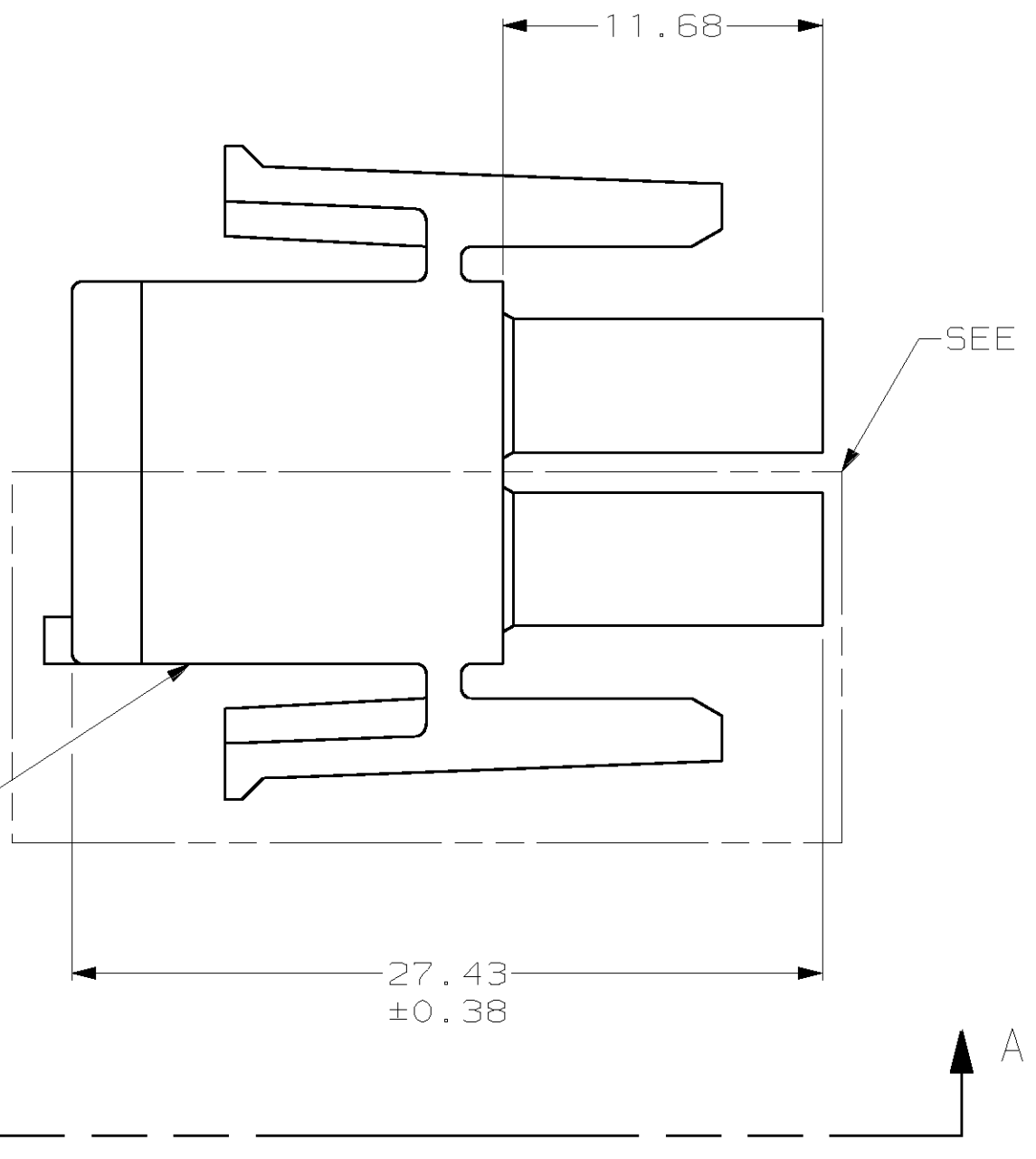


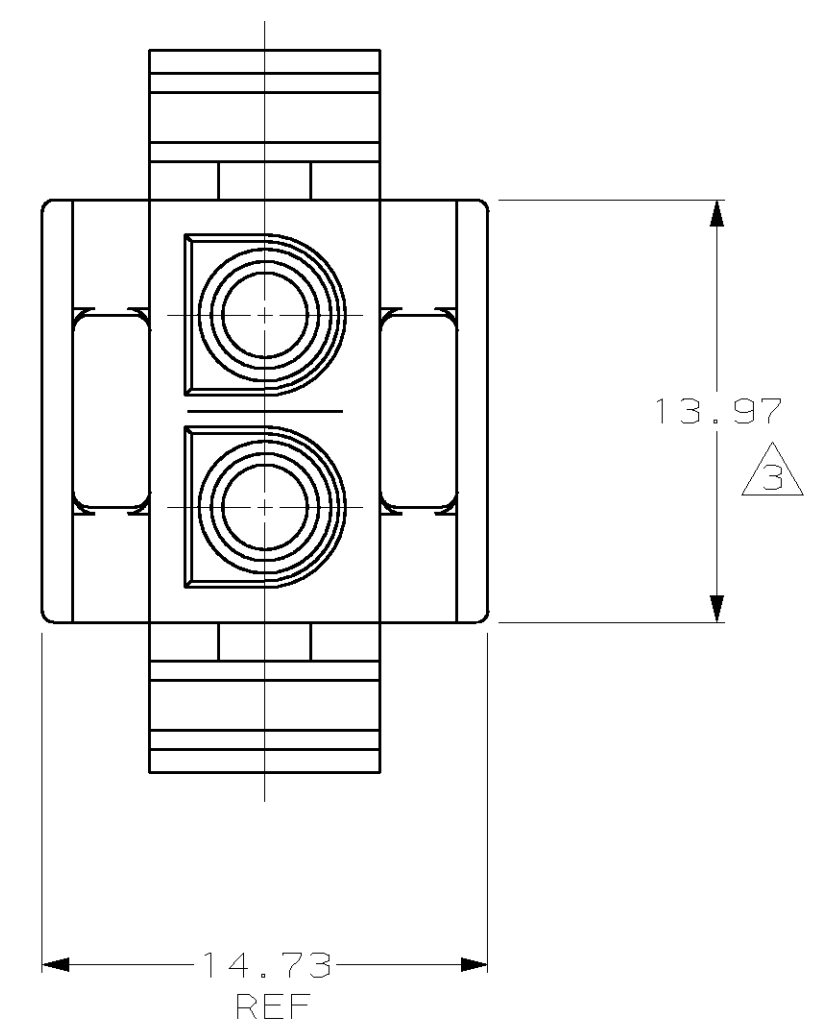
REV. NO.		REV. DATE		REV. DESCRIPTION		DATE	BY	APP'D
CM	53	Z	17-FEB-99	REV PER EC	061B-0229-98	17-FEB-99	JH	RS



SEE DETAIL A

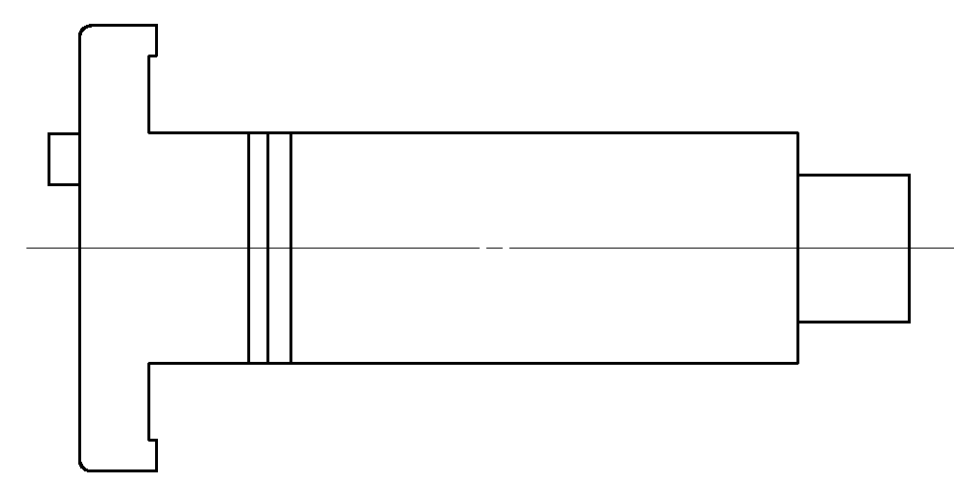
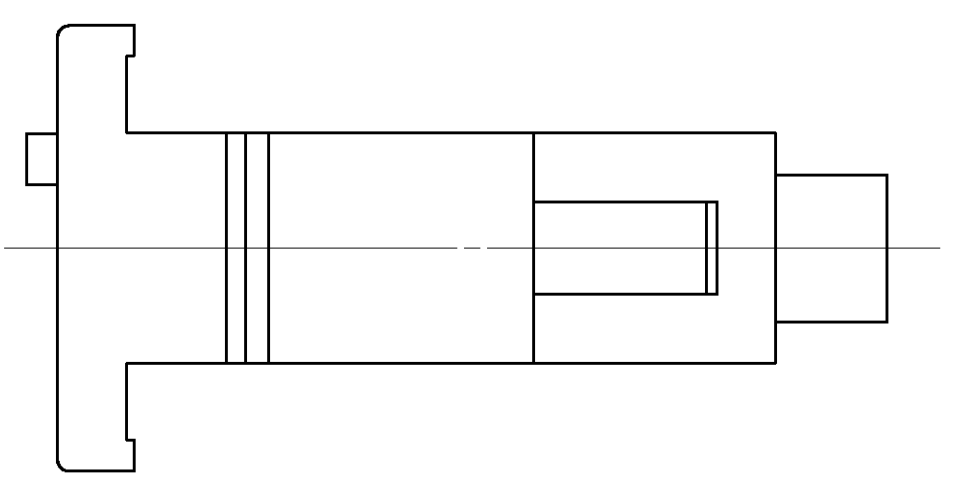


SEE DETAIL B

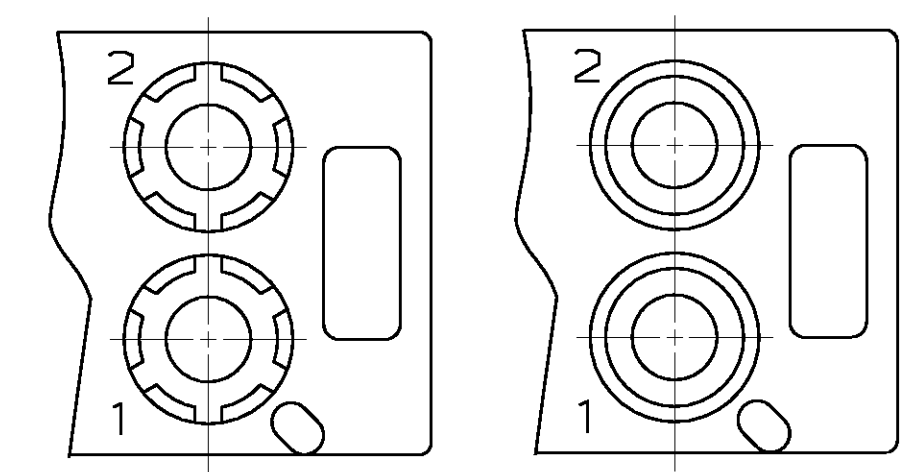


- MATES WITH APPROPRIATE UNIVERSAL MATE-N-LOK™ CAP OR HEADER.
- SMALL NICKS ARE PERMITTED ON THE CIRCUIT TOWERS WHICH COULD INCREASE THE INITIAL HOUSING MATING FORCE BY UP TO 4.4 NEWTONS [1.0 LBS]. NO INDIVIDUAL NICKED TOWER SHALL INCREASE THIS FORCE BY OVER 2.2 NEWTONS [0.5 LBS].

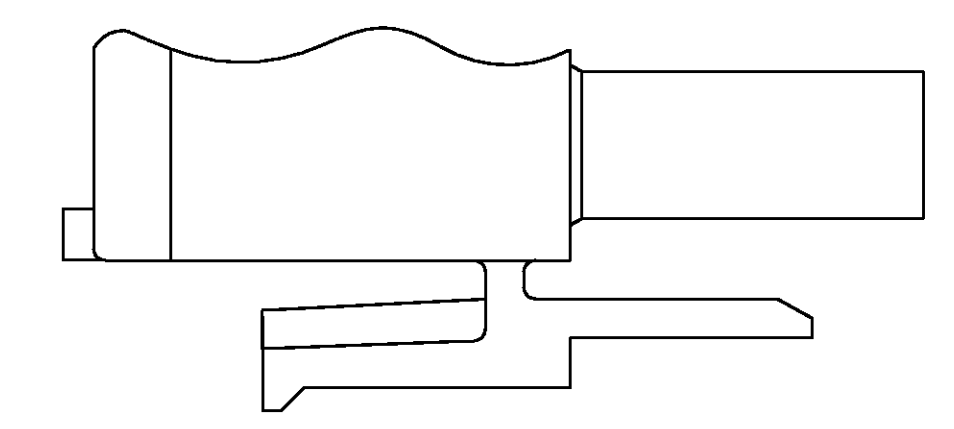
- ③ DIMENSION INDICATED IS AS MOLDED. ADDITIONAL GROWTH DUE TO SUBSEQUENT MOISTURE ABSORPTION MAY OCCUR.
- ④ FOUR RIBS EQUALLY SPACED, NO SPECIFIC ORIENTATION. NO RIBS OR SIX RIBS EQUALLY SPACED, NO SPECIFIC ORIENTATION, OPTIONAL.
- ⑤ NOT MANUFACTURED IN U.S.
- ⑥ UNDERWRITERS RECOGNIZED COMPONENT LOGO AND CSA CERTIFICATION LOGO TO BE LOCATED ONCE EACH ON SIDE OF HOUSING.



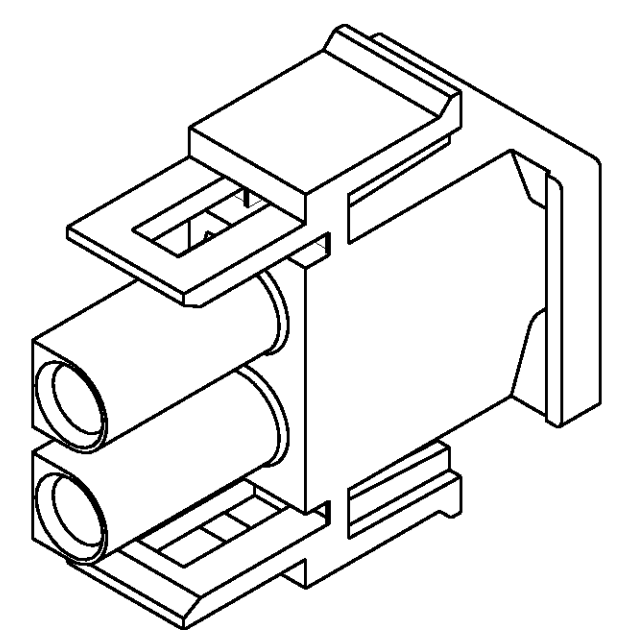
VIEW A-A
350777-4 ONLY



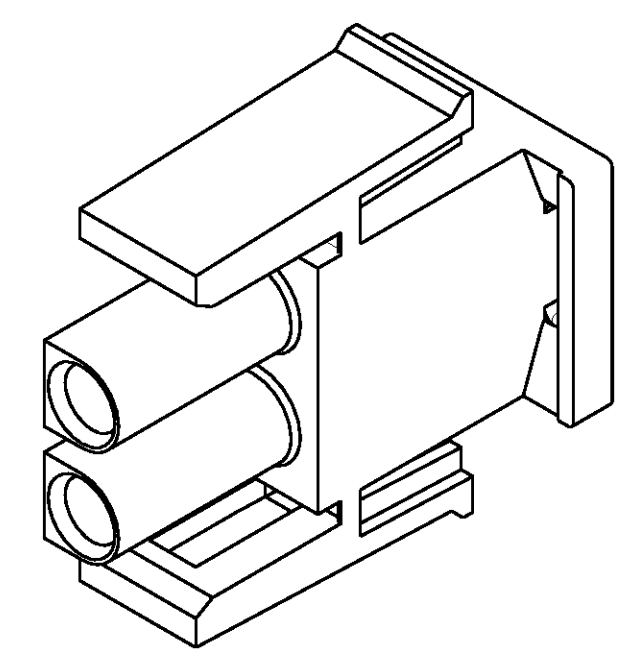
DETAIL A
OPTIONAL CONSTRUCTION



DETAIL B
350777-4 ONLY



350777-4 3-DIMENSIONAL MODEL
NTS



3-DIMENSIONAL MODEL
NTS

MM	IN
27.43	1.080
14.73	.580
13.97	.550
11.68	.460
7.62	.300
0.38	.015
0.13	.005
MM	IN

CONVERSION TABLE

METRIC

<small>THIS DRAWING IS UNPUBLISHED. IT IS SUBJECT TO CHANGE AND THE CONTROLLING ENGINEERING DEPARTMENT SHALL BE CONTACTED FOR THE LATEST REVISION.</small>		DWN: VESTAL 1-24-95 DR: SWING 1-24-95 APP'D: SELF 1-24-95	AMP Incorporated Harrisburg, PA 17105-3608
DIMENSIONS: mm TOLERANCES UNLESS OTHERWISE SPECIFIED: D: PLC ±.015 F: PLC ±.015 G: PLC ±.015 H: PLC ±.015 ANGLES: 40°±30'	PRODUCT SPEC: - APPLICATION SPEC: - FINISH: -	SIZE: A1 CAGE CODE: 00779 DRAWING NO: C=350777	PLUG, 2 CIRCUIT, UNIVERSAL MATE-N-LOK™
MATERIAL: NYLON, UL 94V-0		WEIGHT: - CUSTOMER DRAWING	SCALE: 4:1 SHEET: 1 OF 1 REV: Z

⑤ 350777-4
350777-1
PART NUMBER