



RJ45 CAT 5E ETHERNET

Series IPT (26482 Type) Bayonet Coupler

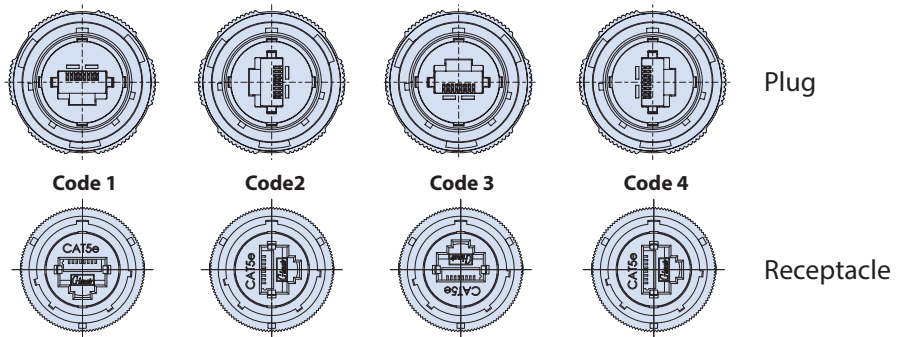


IPT300 Coupler with Accessory Threads and RJ45 Plug-to-Jack (Plug) or Jack-to-Jack (Receptacle)



How to Order							
Sample Part Number	IPT300	00	G	18	5E	1	F7
Basic Number	IPT300						
Connector Style¹	00 = Front Panel Mount Square Flange Receptacle 01 = In-Line Receptacle 070 = Rear Panel Mounting Jam Nut Receptacle 06 = Straight Plug						
Insert-to-Shell Grounding	G = Insert grounded to shell Omit for none (for use with shielded cable) (Use only with G3, F11 or F7 finish)						
Shell Size	18						
RJ45 Category²	5E = Cat 5E For Cat 6A applications consult factory						
RJ45 Orientation	1,2,3 or 4						
Material/Finish	Omit for Aluminum/Cadmium, Olive Drab (G3) F6 = Aluminum/Black Polymer Electrocoat F7 = Aluminum/Conductive Black Zinc Nickel F11 = Aluminum/Electroless Nickel						

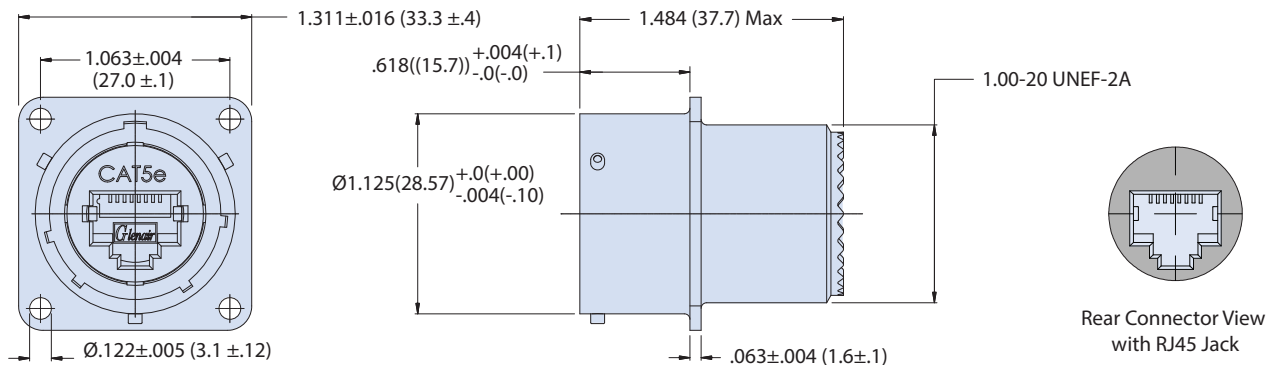
RJ45 Orientation Options



NOTES

1. See Section A for recommended panel cut out dimensions
2. Plugs are plug/jack and receptacles are jack/jack

00 - FRONT PANEL MOUNT SQUARE FLANGE RECEPTACLE WITH ACCESSORY THREADS



F



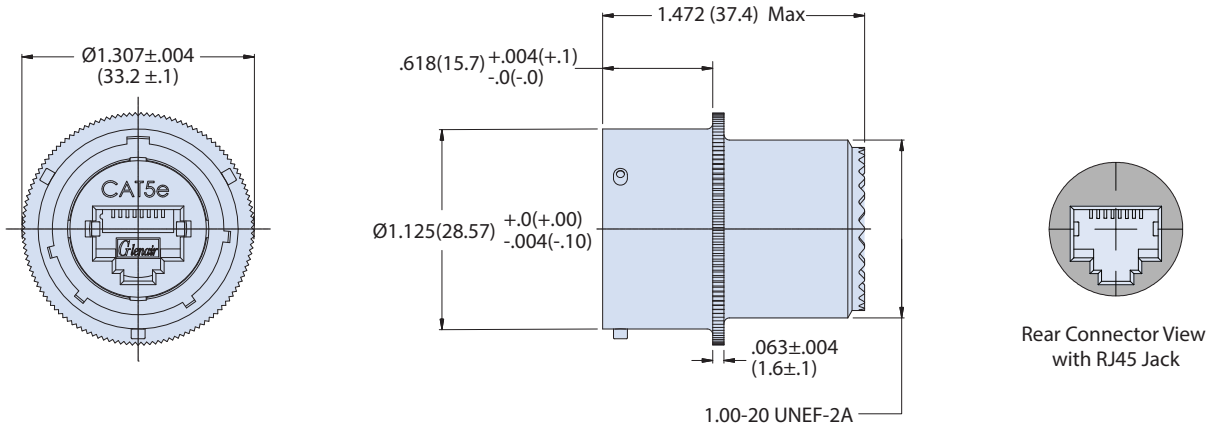
RJ45 CAT 5E ETHERNET

Series IPT (26482 Type) Bayonet Coupler

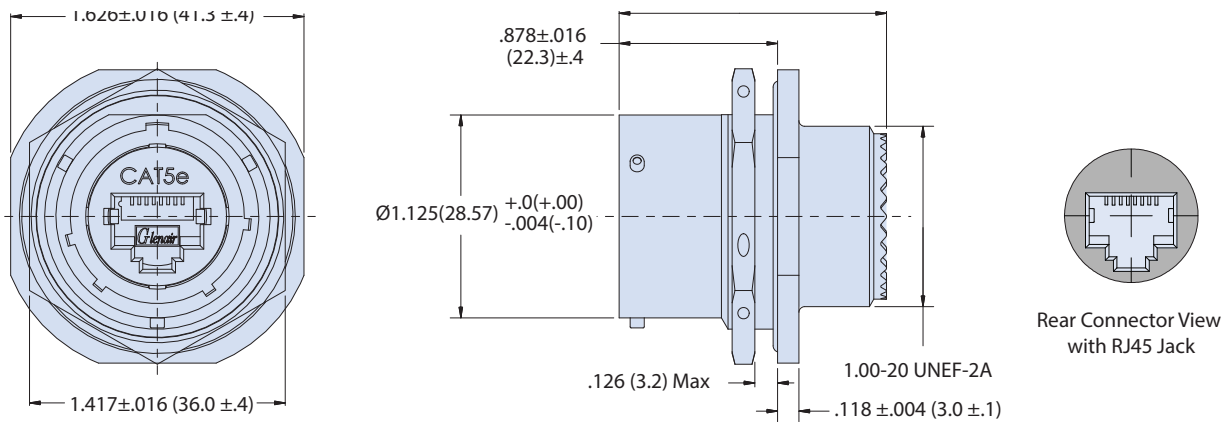


IPT300 Coupler with Accessory Threads and RJ45 Plug-to-Jack (Plug) or Jack-to-Jack (Receptacle)

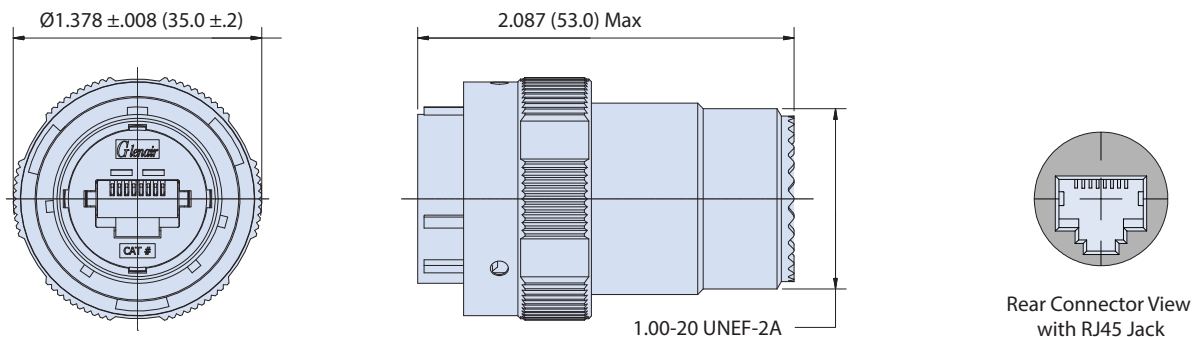
01 - INLINE RECEPTACLE WITH ACCESSORY THREADS



070 - REAR PANEL MOUNT JAM NUT RECEPTACLE WITH ACCESSORY THREADS



06 - PLUG WITH ACCESSORY THREADS



Mouser Electronics

Authorized Distributor

Click to View Pricing, Inventory, Delivery & Lifecycle Information:

[Glenair:](#)

[IPT30006185E1F7](#)