

A 10 -18 - Ferrule

3200344

<https://www.phoenixcontact.com/us/products/3200344>



Please be informed that the data shown in this PDF document is generated from our Online Catalog. Please find the complete data in the user documentation. Our General Terms of Use for Downloads are valid.

Ferrule, length: 18 mm, color: silver



Commercial Data

Item number	3200344
Packing unit	1 pc
Minimum order quantity	500 pc
Sales Key	BH34
Product Key	BH3412
Catalog Page	Page 480 (C-3-2019)
GTIN	4017918093990
Weight per Piece (including packing)	0.464 g
Weight per Piece (excluding packing)	0.442 g
Customs tariff number	85369010
Country of origin	DE

A 10 -18 - Ferrule

3200344

<https://www.phoenixcontact.com/us/products/3200344>



Technical Data

Product properties

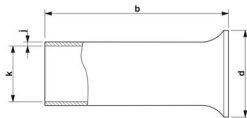
Product type	Cable end sleeve
Conductor category	stranded conductors, class 2, 5, 6 / B, C, K, M

Connection data

Conductor connection

Conductor cross section flexible max.	10 mm ²
Conductor cross section AWG max.	8
Stripping length	18 mm

Dimensions

Dimensional drawing	
Length	18 mm
Maximum stripping length	18 mm
Ferrule diameter	4.5 mm
Sleeve wall thickness	0.2 mm
Inner dimensions of the insulating collar	5.8 mm

Material specifications

Color	silver
Material	CU-DHP
Coating	tin-plated (galvanic)

Environmental and real-life conditions

Ambient conditions

Permanent temperature	105 °C
Short-term temperature	120 °C

Standards and regulations

Design according to standard	DIN 46228-1, UL 486F-A
------------------------------	------------------------

A 10 -18 - Ferrule

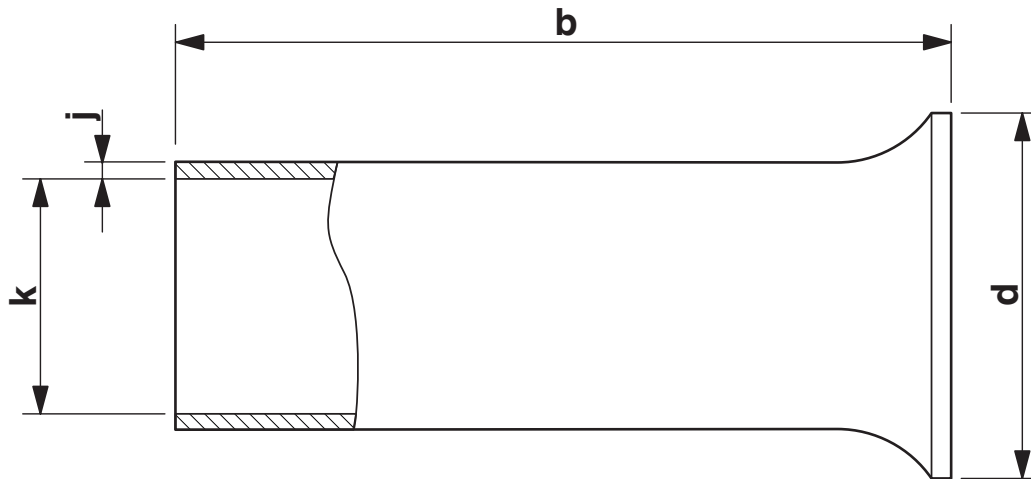
3200344

<https://www.phoenixcontact.com/us/products/3200344>



Drawings

Dimensional drawing



Sleeve length (b), insulating collar inner dimension (d), sleeve diameter (k), sleeve wall thickness (j)

A 10 -18 - Ferrule

3200344

<https://www.phoenixcontact.com/us/products/3200344>



Approvals



UL Listed

Approval ID: E488001



cUL Listed

Approval ID: E488001

A 10 -18 - Ferrule

3200344

<https://www.phoenixcontact.com/us/products/3200344>



Classifications

ECLASS

ECLASS-11.0	27400201
ECLASS-12.0	27400201
ECLASS-12.0	27400201
ECLASS-12.0	27400201

ETIM

ETIM 8.0	EC000005
----------	----------

UNSPSC

UNSPSC 21.0	27121700
-------------	----------

A 10 -18 - Ferrule

3200344

<https://www.phoenixcontact.com/us/products/3200344>



Environmental Product Compliance

China RoHS	Environmentally friendly use period: unlimited = EFUP-e
	No hazardous substances above threshold values

A 10 -18 - Ferrule

3200344

<https://www.phoenixcontact.com/us/products/3200344>



Accessories

CRIMPFOX 25R - Crimping pliers

1212039

<https://www.phoenixcontact.com/us/products/1212039>



Crimping pliers, for ferrules without insulating collar according to DIN 46228 Part 1 and ferrules with insulating collar according to DIN 46228 Part 4, 10 mm² ... 25 mm², lateral entry, WM crimp

CRIMPFOX 10 - Crimping pliers

1212721

<https://www.phoenixcontact.com/us/products/1212721>



Crimping pliers, for ferrules without insulating collar according to DIN 46228 Part 1 and ferrules with insulating collar according to DIN 46228 Part 4, 4 mm² ... 10 mm², lateral entry, trapezoidal crimp

A 10 -18 - Ferrule

3200344

<https://www.phoenixcontact.com/us/products/3200344>



CRIMPFOX CENTRUS 10S - Crimping pliers

1213154

<https://www.phoenixcontact.com/us/products/1213154>



Crimping pliers, for uninsulated and insulated ferrules, DIN 46228 Part 1 and 4, from 0.14 mm² ... 10 mm², also for TWIN ferrules up to 2 x 4 mm², automatic cross section adjustment, lateral insertion, equipped with fall protection

CRIMPFOX CENTRUS 10H - Crimping pliers

1213156

<https://www.phoenixcontact.com/us/products/1213156>



Crimping pliers, for uninsulated and insulated ferrules, DIN 46228 Part 1 and 4, from 0.14 mm² ... 10 mm², also for TWIN ferrules up to 2 x 4 mm², automatic cross section adjustment, lateral insertion, equipped with fall protection

A 10 -18 - Ferrule

3200344

<https://www.phoenixcontact.com/us/products/3200344>



CRIMPFOX 10S - Crimping pliers

1212045

<https://www.phoenixcontact.com/us/products/1212045>



Crimping pliers, for ferrules without insulating collar according to DIN 46228 Part 1 and ferrules with insulating collar according to DIN 46228 Part 4, 0.14 mm² ... 10 mm², unlockable pressure lock, lateral entry

CRIMPFOX 16 S - Crimping pliers

1207983

<https://www.phoenixcontact.com/us/products/1207983>



Crimping pliers for ferrules up to 16 mm²

Phoenix Contact 2023 © - all rights reserved
<https://www.phoenixcontact.com>

Phoenix Contact USA
586 Fulling Mill Road
Middletown, PA 17057, United States
(+717) 944-1300
info@phoenixcon.com