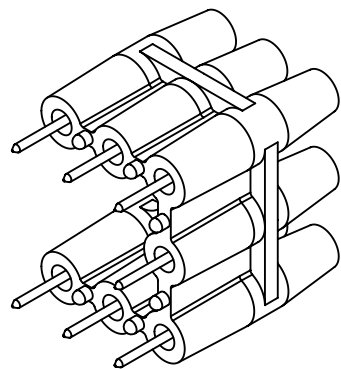
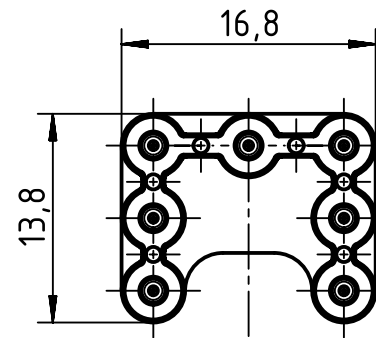
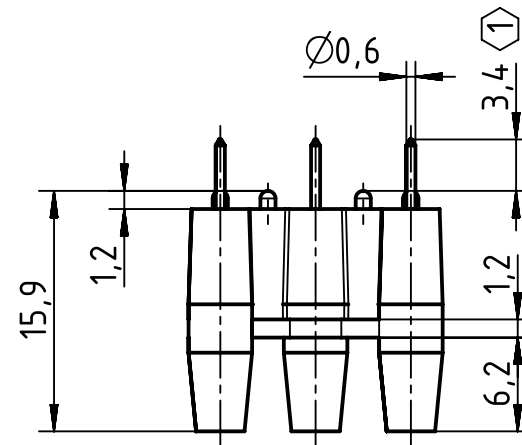
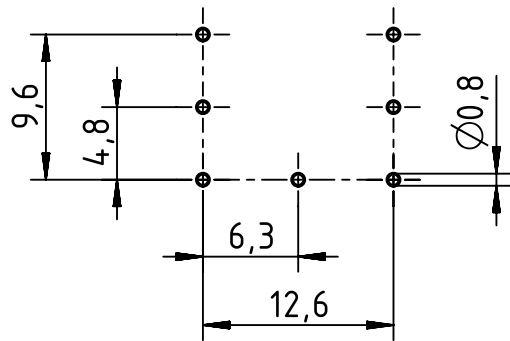



Layout of printed circuit boards



① for printed boards up to 2,4mm

| | | | | | | | | |
|---|--|---|--------------------------|-------------------------|---------------------------|-----------------------------|--|------------------------|
|  | All rights reserved Department EL PD - DE | All Dimensions in mm Original Size DIN A4 | | Scale 2:1 | Free size tol. | | Ref. | |
| | | HARTING Electric GmbH & Co. KG D-32339 Espelkamp | | Created by KLASSEN P | Inspected by SCHNIEDER | Standardisation TIEMANNA | Date 2017-02-22 | State Final Release |
| Title Leiterplatten Adapter Han Q7/0 2,4mm | | | | | | | Doc-Key / ECM-Nr. 100086258/UGD/004/A 500000115896 | |
| Type TB | | | Number 09 12 000 9908 | | | | Rev. A | Page 1/1 |