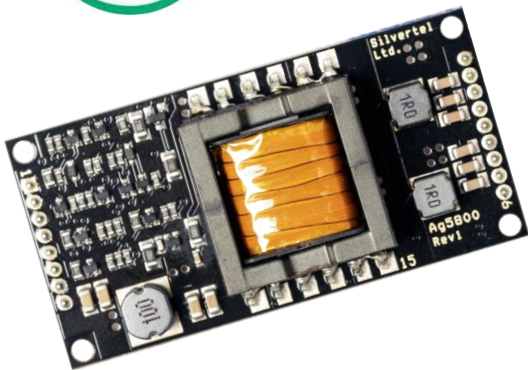




Ag5800

IEEE802.3bt PD Module



Features

- Type 4 PD Compliant with IEEE802.3bt
- 85 Watt Output Power
- 12V or 24V output with a wide adjustable output voltage range
- High efficiency DC/DC converter
- Overload, thermal and short-circuit protection
- 1500V isolation (input to output)
- Input voltage range 36V to 57V
- Low output ripple and noise
- Compact DIL package - 70mm(L) x 35mm(W) x 17mm(H)
- Complete PD solution with minimal (low cost) external components required
- Silvertel "design-in" assistance

Description

The Ag5800 is an IEEE802.3bt Power over Ethernet module that can deliver up to 85 Watts* of output power when connected to IEEE802.3bt compliant power sourcing equipment. Suitable for applications such as PTZ IP cameras, LED lighting, door access systems, intelligent displays and sensors, monitors and projectors.

The module's input conforms to the IEEE 802.3bt standard for signature recognition and class programming. It has been designed to work with IEEE802.3bt and existing high power PSE's from leading manufacturers.

The high efficiency DC/DC converter operates over a wide input voltage range and provides a regulated low ripple and low noise output. The DC/DC converter also has built-in overload, thermal and short-circuit output protection.

*See section 2.4.4 - Output Power

Table of Contents

1	Product Overview	3
1.1	Ag5800 Product Selector	3
1.2	Pin Description	4
2	Functional Description	5
2.1	Overview	5
2.2	Power Supply	5
2.3	Input	6
2.3.1	PD Signature	6
2.3.2	Power Classification	6
2.3.3	Legacy Classification	7
2.3.4	PSE Type Detection	8
2.4	Output	9
2.4.1	DC/DC Converter	9
2.4.2	Output Configuration	9
2.4.3	Output Adjustment	10
2.4.4	Output Power	11
2.5	Typical Connections	12
2.6	High Power Applications	13
3	Operating Temperature Range	14
3.1	PCB Thermal Layout	16
3.2	Heatpad Footprint	17
3.3	Heat Sink Assembly	18
4	Isolation	19
5	Protection	19
6	EMC	20
7	Electrical Characteristics	21
7.1	Absolute Maximum Ratings ¹	21
7.2	Recommended Operating Conditions	21
7.3	DC Electrical Characteristics	21
8	Package	22

Table of Figures

Figure 1:	Block Diagram	3
Figure 2:	Ag5800 Package Format	3
Figure 3:	Typical System Diagram	5
Figure 4:	PoH Enable Connection	7
Figure 5:	Physical Layer Detect Configuration	8
Figure 6:	Output Configurations	9
Figure 7:	Output Adjustment	10
Figure 8:	Available Output Power with an IEEE802.3bt PSE Connection	11
Figure 9:	Typical Connection Diagram	12
Figure 10:	High Power configuration	13
Figure 11:	Operating Temperature	14
Figure 12:	Operating Temperature (Thermally connected to PCB and enclosure)	15
Figure 13:	Operating Temperature (Thermally connected to PCB)	15
Figure 14:	Suggested PCB Thermal Layout	16
Figure 15:	Suggested Heatpad Footprint	17
Figure 16:	Suggested Heat Sink Assembly	18
Figure 17:	Position of the Isolation Barrier	19
Figure 18:	EMC Filtering	20

1 Product Overview

1.1 Ag5800 Product Selector

Part Number ¹	Nominal Output Voltage ²	Maximum Output Power ³
Ag5800	12V / 24V	85W

Note 1: Complies with the European Directive 2011/65/EU for the Restriction of use of certain Hazardous Substances (RoHS) including Directive 2015/863 published in 2015, amending Annex II of Directive 2011/65/EU. Moisture Sensitive Level 1 and HBM 1.

Note 2: Voltage depending on output configuration (Parallel or Series), see Section 2.4.2.

Note 3: Will operate up to 100W when used with a DC Power Supply at 25°C with adequate thermal management

Table 1: Ordering Information

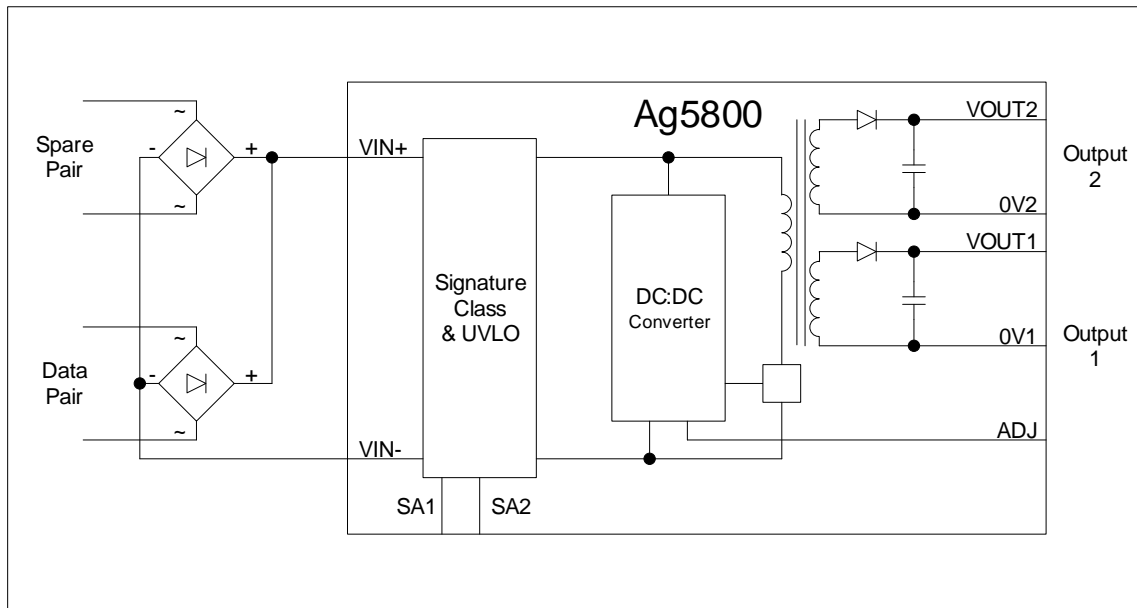


Figure 1: Block Diagram



Figure 2: Ag5800 Package Format

1.2 Pin Description

Input Connector Pins

Pin #	Name	Description
1	SA1	Signature resistance adjustment (see section 2.3.1) - Default No connect
2	SA2	Signature resistance adjustment (see section 2.3.1) - Default No connect
3	AT-Det	AT Detect Output This pin indicates if an IEEE802.3at PSE is supplying power to its inputs; see Section 2.3.4 for more details.
4	TYP3-Det	TYPE 3 IEEE802.3bt Detect Output This pin indicates if a Type 3 IEEE802.3bt PSE is supplying power to both inputs; see Section 2.3.4 for more details.
5	TYP4-Det	Type 4 IEEE802.3bt Detect Output This pin indicates if an IEEE802.3bt PSE is supplying power to both inputs; see Section 2.3.4 for more details.
6	PoH_En	PoH_Enable Connect to VIN- to enable full power with an existing HDBaseT PoH or UPOE* systems. For PoE applications leave floating.
7	VIN-	Direct Input - This pin connects to the negative (-) output of the input bridge rectifier.
8	VIN+	Direct Input + This pin connects to the positive (+) output of the input bridge rectifier.

*When used with the Data Link Layer.

Output Connector Pins

Pin #	Name	Description
9 & 10	VOUT2	DC Output This pin provides the secondary output from the DC/DC converter.
11 & 12	0V2	Ground The ground return for the VOUT2 output.
13 & 14	VOUT1	DC Output This pin provides the main regulated output from the DC/DC converter.
15 & 16	0V1	Ground The ground return for the VOUT1 output.
17	ADJ	Output Adjust The output voltage can be adjusted from its nominal value, by connecting an external resistor from this pin to either the VOUT1 pin or the 0V1 pin.

2 Functional Description

2.1 Overview

The Ag5800 has a single input that can be connected to two external bridge rectifiers (see Figure 1: Block Diagram). The Ag5800 was developed to be powered with the Silvertel Ag6800 IEEE802.3bt PSE or with IEEE802.3bt compliant PSEs from other leading manufactures. It can also be used with other high Power PSE's i.e. PoH PSE's and Pihong's legacy 12.5K signature PSEs with the setup explained in section 2.3.1 and 2.3.3.

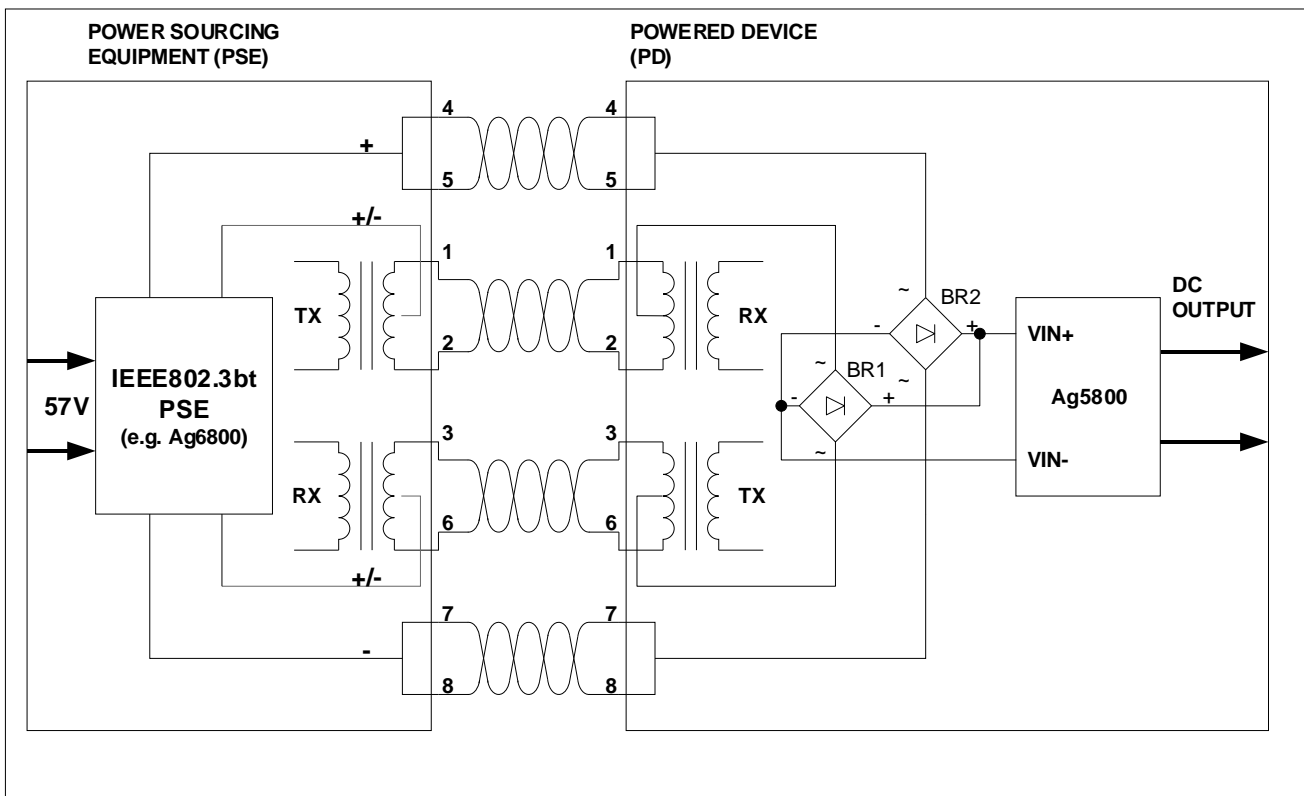


Figure 3: Typical System Diagram

2.2 Power Supply

The Ag5800 is a Class 8 Type 4 IEEE802.3bt powered device, and as such should be powered with the appropriate power supply, this being either an IEEE802.3bt compliant PSE or a DC power supply with a minimum power specification of 52V at 3A. This minimum power supply rating must be chosen regardless of the customers load as the inrush and power limits of the Ag5800 are designed to provide >85W out. If the customer is designing their own PSE to use with the Ag5800 they must also ensure that the power supply to the PSE is capable of this minimum power capability.

2.3 Input

2.3.1 PD Signature

The Ag5800 input complies with the IEEE802.3bt specification and provides signature and control circuitry to give full backwards compatibility on PoE standards. When the inputs are connected to a Power Sourcing Equipment (PSE), they will automatically present a valid signature to the PSE. The equipment will then recognise that a valid PD is connected to that line and commence classification.

Note: The SA1 and SA2 pins must be connected together when used with a Phihong 12.5K signature resistance PSE i.e. POE80U/POE60U PSE. For all other PSE's these pins should be left unconnected.

2.3.2 Power Classification

The Ag5800 is a Type 4 - Class 8 PD requesting the highest nominal amount of power from an IEEE802.3bt PSE by displaying the correct class pulses as shown in Table 2 below. If the Ag5800 is connected to an IEEE802.3at PSE, the PSE will recognise the initial Class 4 pulse from the Ag5800 as a Type 2 PD and provide ~25W.

PD Type	Requested Class	Class Pulse A	Class Pulse B	Minimum Requested Power (W)
3	1	1	1	3.84
	2	2	2	6.49
	3	3	3	13
	4	4	4	25.5
	5	4	0	40
	6	4	1	51
4	7	4	2	62
	8	4	3	71.3

Table 2: Classification Table

2.3.3 Legacy Classification

If the Ag5800 is connected to a PoH PSE and the user requires the full amount of power then the user can connect Pin 6 (PoH_En) to Pin 7 (VIN-) providing the correct classification and achieving full power draw while connected to a PoH PSE - See Figure 4.

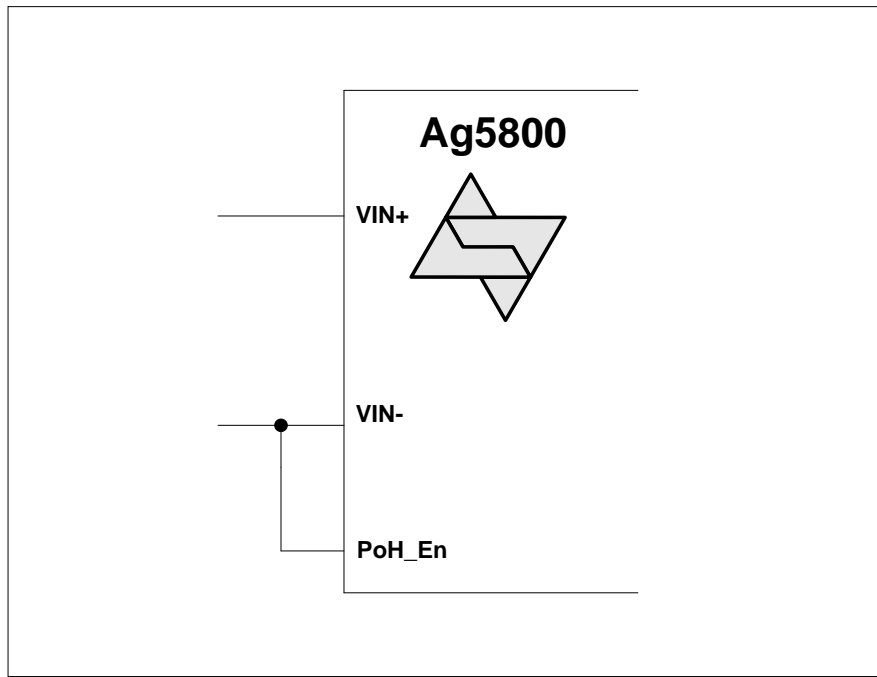


Figure 4: PoH Enable Connection

2.3.4 PSE Type Detection

The Ag5800 has three output pins which are used to indicate the PSE type that has been detected through the Physical Layer Classification. This is so that the powered device can either adjust its highest power state or renegotiate its power classification if required via the Data Link Layer, as detailed in the IEEE802.3bt specification.

Each output pin can be connected directly to an opto-coupler in order for the PSE type indication to cross the isolation barrier, as shown in Figure 5.

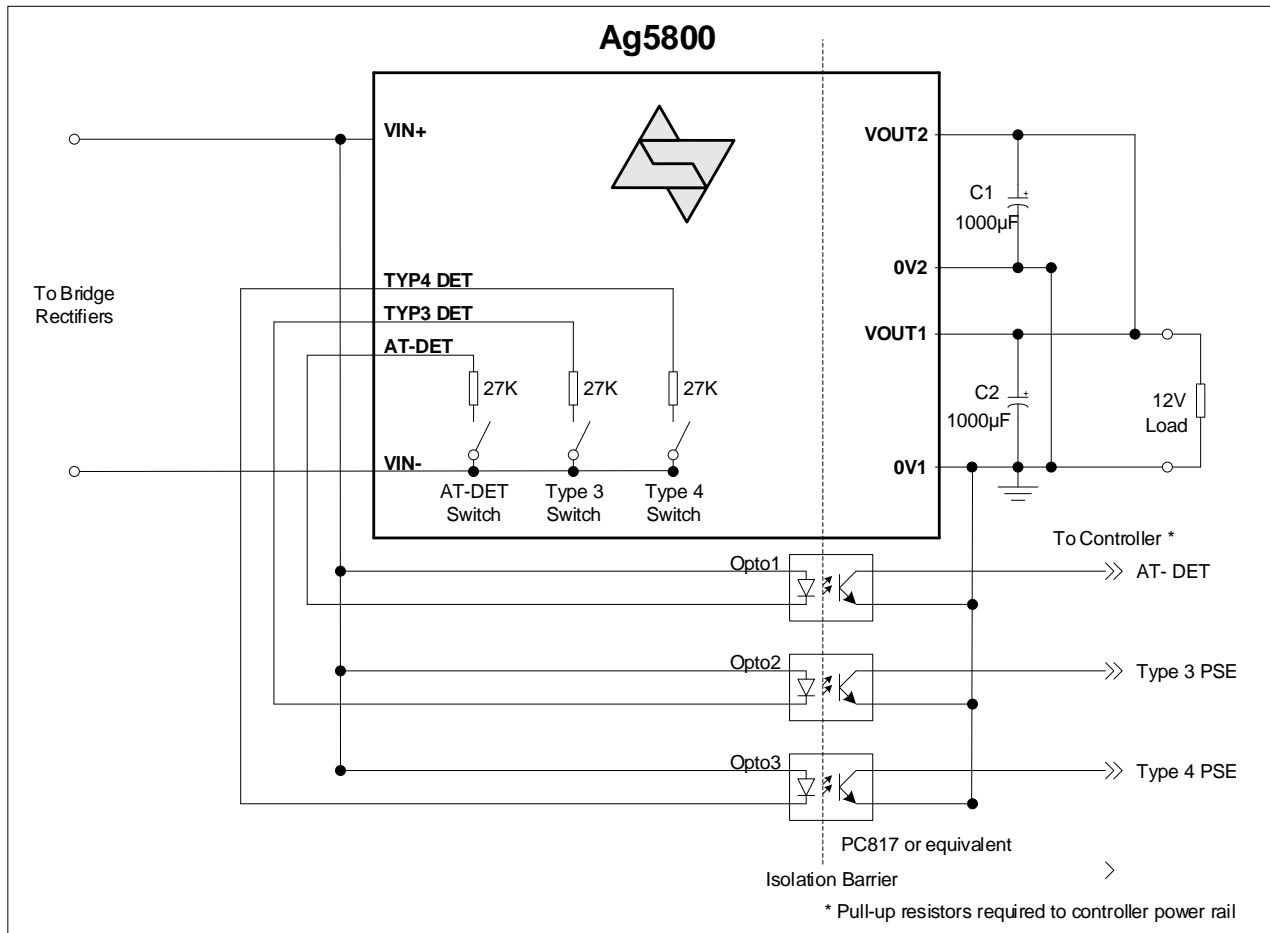


Figure 5: Physical Layer Detect Configuration

If an IEEE802.3af PSE is connected, the Ag5800 will power up but none of the detect outputs will be active.

If a standard IEEE802.3at PSE is connected, the AT-DET pin will be active and Opto1 will turn ON.

If a Type 3 IEEE802.3bt PSE is connected, the TYP3-DET pin will be active and Opto2 will turn ON.

If a Type 4 IEEE802.3bt PSE is connected, the TYP4-DET pin will be active and Opto3 will turn ON.

It is important to remember that Ag5800's output is limited to the capability of the PSE.

Note: If the connected PSE does not support the Data Link Layer (DLL) Opto 1 to 3 do not need to be fitted and the Ag5800 will still draw the maximum power available from the PSE

2.4 Output

2.4.1 DC/DC Converter

The Ag5800's DC/DC converter provides a regulated low ripple and low noise output that has built-in output over-load and short-circuit protection.

2.4.2 Output Configuration

The Ag5800 has two outputs which must be connected either in parallel to provide 12V or in series to provide 24V, as shown in Figure 6: Output Configurations.

Output 2 voltage (VOUT2) tracks the output 1 voltage (VOUT1). The use of the two outputs separately is not recommended due to voltage regulation issues.

It is important that C1 and C2 are both used and connected as close to the output pins of the Ag5800 as possible (in both configurations).

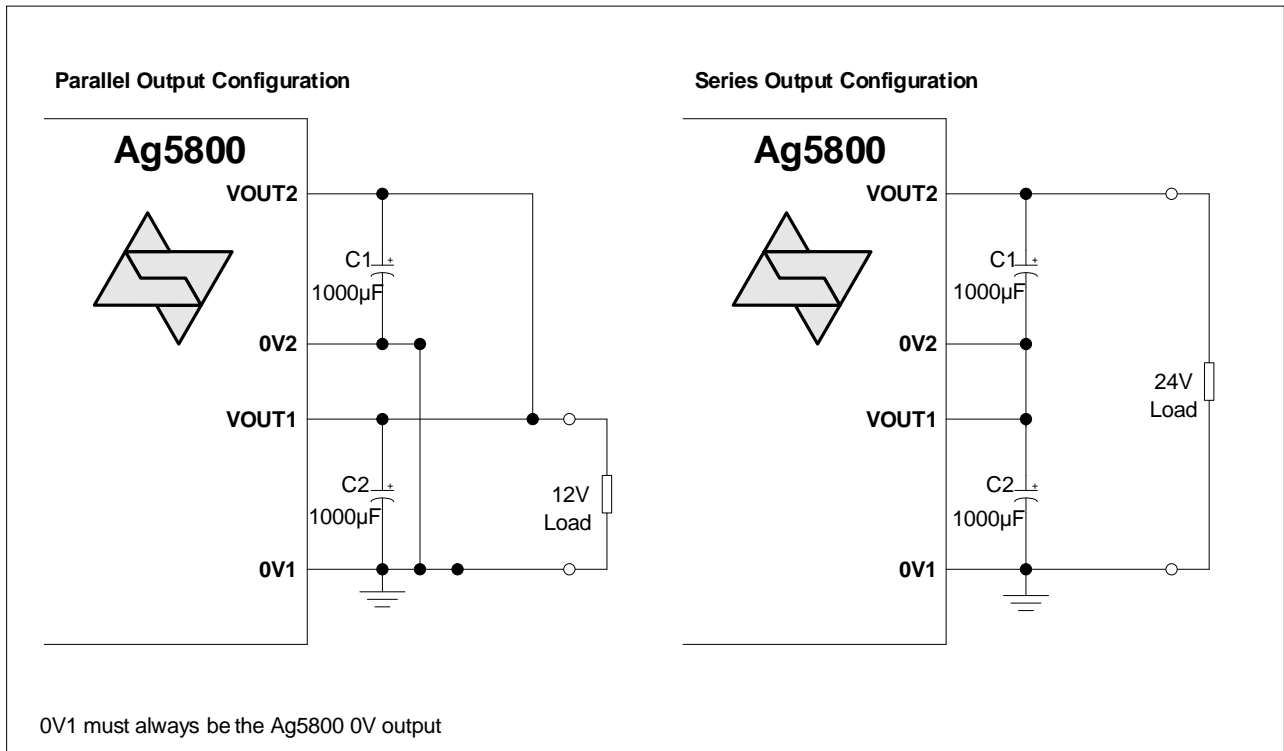


Figure 6: Output Configurations

2.4.3 Output Adjustment

The Ag5800 has an ADJ pin, which allows the output voltage to be increased or decreased from its nominal value.

The adjustment range allows the Ag5800 to provide an output voltage from 10.5V up to 30.2V. Voltage must not be adjusted to less than 10.5V or permanent damage may be caused to the module.

Contact Silvertel for further details.

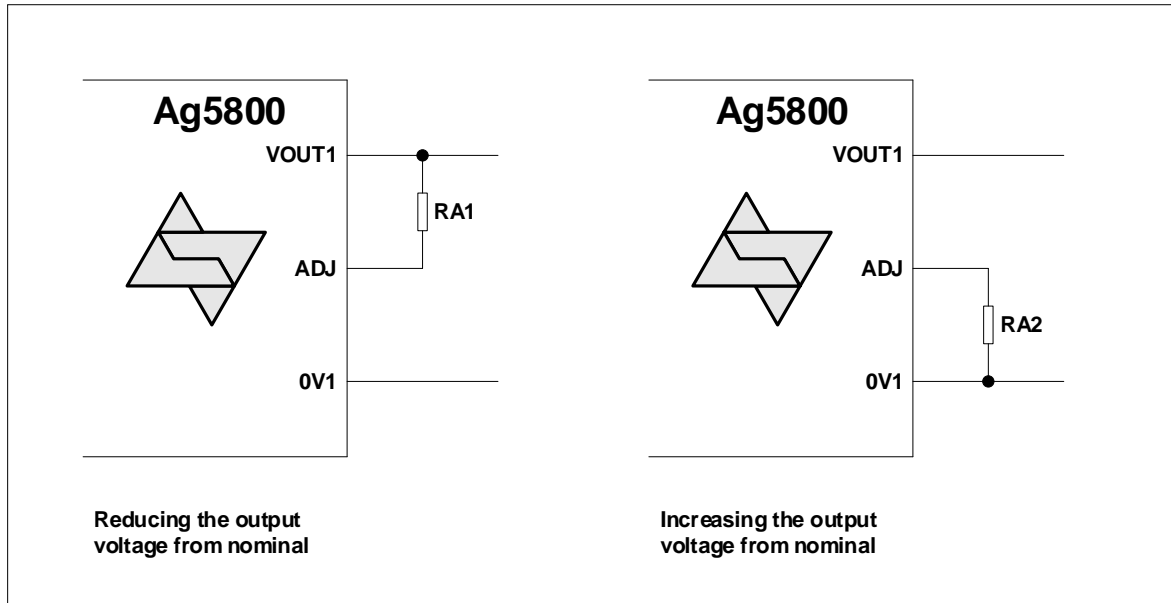


Figure 7: Output Adjustment

Reducing the output voltage, connect R between ADJ and VOUT1		
Value of RA1	VOUT Parallel	VOUT Series
Open Circuit	12V	24V
91K *	10.5V	21.V
Increasing the output voltage, connect R between ADJ and 0V1		
Value of RA2	VOUT Parallel	VOUT Series
Open Circuit	12V	24V
8K2	15V	30.2V

* RA1 must not be less than 91K. Adjusting Vout to less than 10.5V may cause permanent damage

Note: When used with a DC supply the output load current must be reduced to keep the maximum power output at 100W or below.

Table 3: Output Adjustment Resistor (R) Value

2.4.4 Output Power

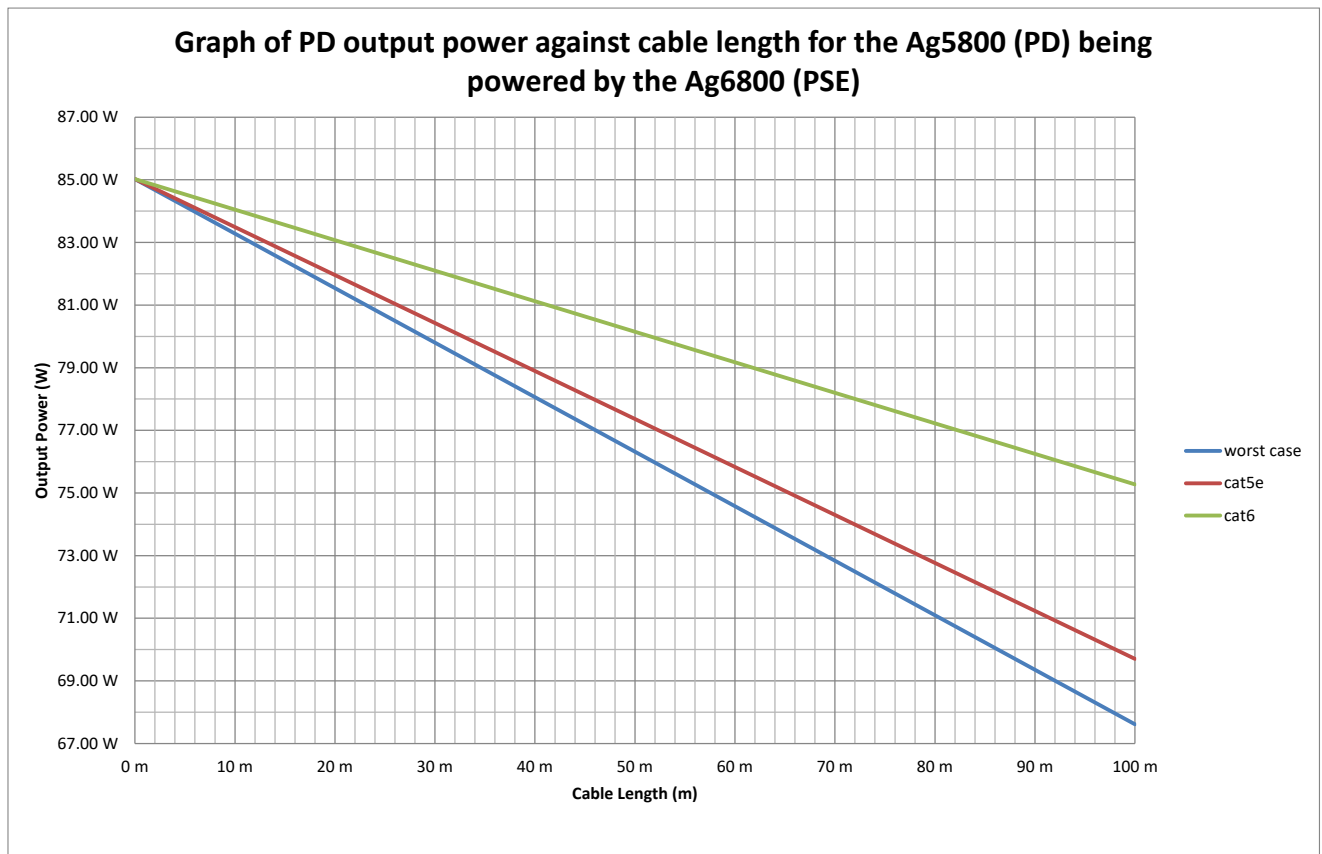
The maximum available output power of the Ag5800 is limited by the available power supplied to the module, as a result, when powered by a DC supply the Ag5800 will be able to supply the rated 100W*. However, when used with an IEEE802.3bt PSE, which can only provide a maximum of 99W from its output, then the maximum achievable output power will be 85W.

* When the output voltage is adjusted to its maximum the power must be limited to 100W. e.g. with V_{out} set to 30V the output current must be reduced to 3.4A.

When calculating the output power, the following factors must be taken into account: -

- Ag5800 efficiency
- PSE output power
- Cable and connector losses
- Input bridge rectifier losses

The graph shown in Figure 8 shows the maximum power output of the Ag5800 when connected to Silvertel’s Ag6800 IEEE802.3bt PSE and also the losses using different category cables.



Note: This was calculated using typical cable resistances and with schottky bridge rectifiers part number: SS36 (V_f of 0.5V at the operating current) - Ag6800 supply voltage of 55V.

Figure 8: Available Output Power with an IEEE802.3bt PSE Connection

2.5 Typical Connections

As shown in Figure 9: Typical Connection Diagram, a minimum of 1000 μ F must be connected across each output, positioned as close to the output pins as possible. These capacitors are needed for output filtering and step load change performance and can be a standard low cost electrolytic; they do not need to be a low ESR type.

The Signature and the Output Adjust inputs are optional and are provided to give greater flexibility to the Ag5800. Further information on using these inputs can be found in sections 2.3.2 - Power Classification and 2.4.3 - Output Adjustment.

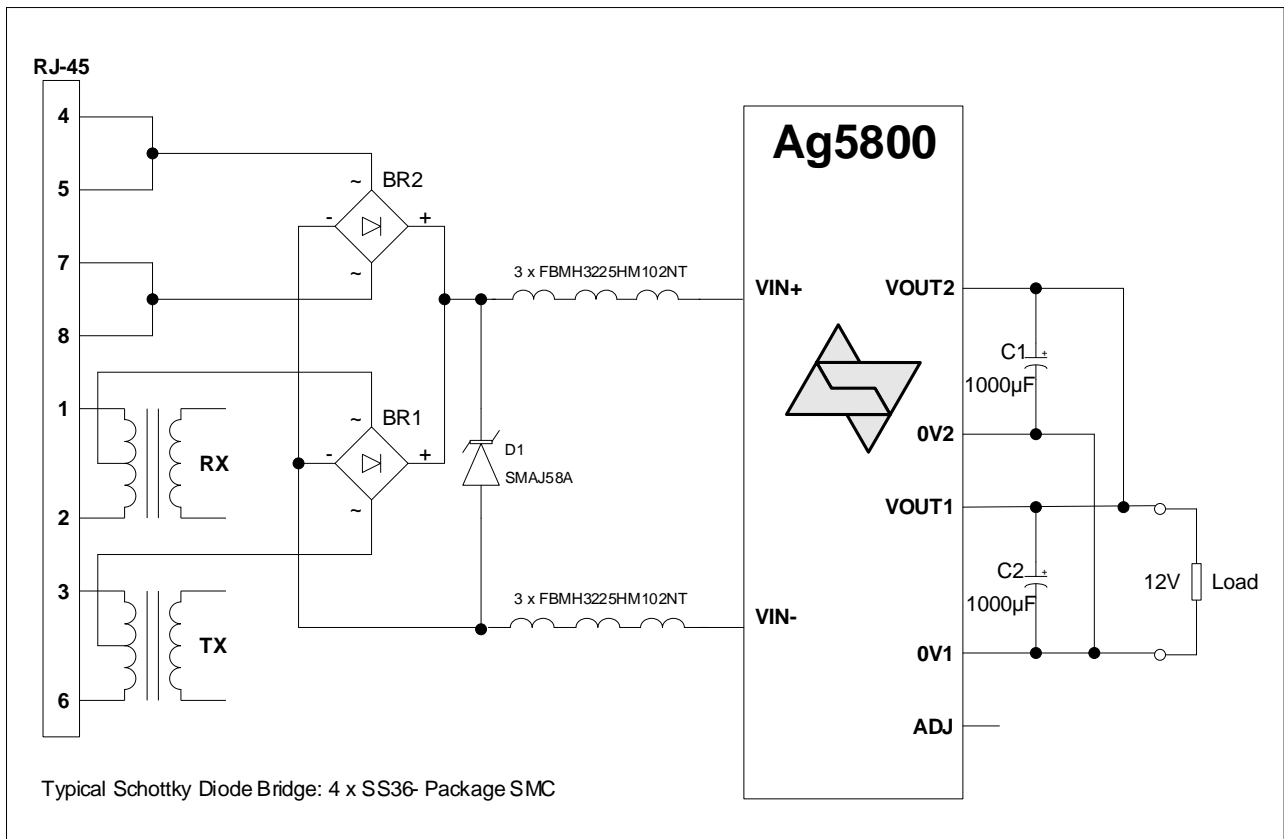


Figure 9: Typical Connection Diagram

2.6 High Power Applications

Figures 10a and 10b show typical application diagrams for the Ag5800 connected to the Ag6800 PSE.

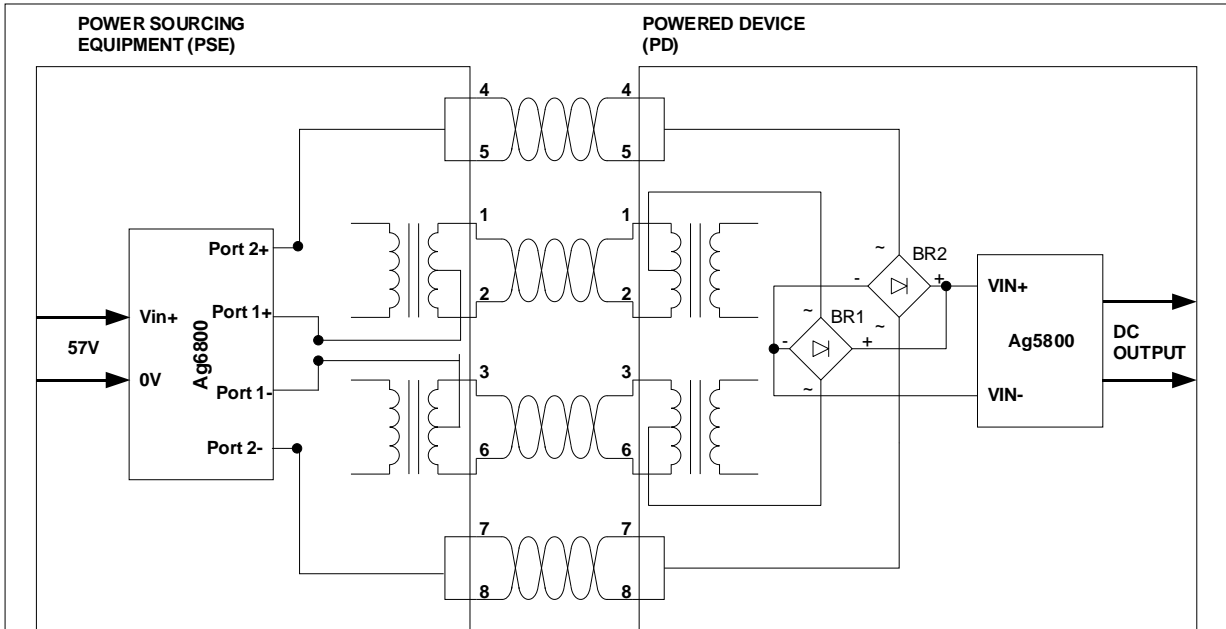


Figure 10a – Typical Application Diagram for Ag5800 using 10/100BASE-T

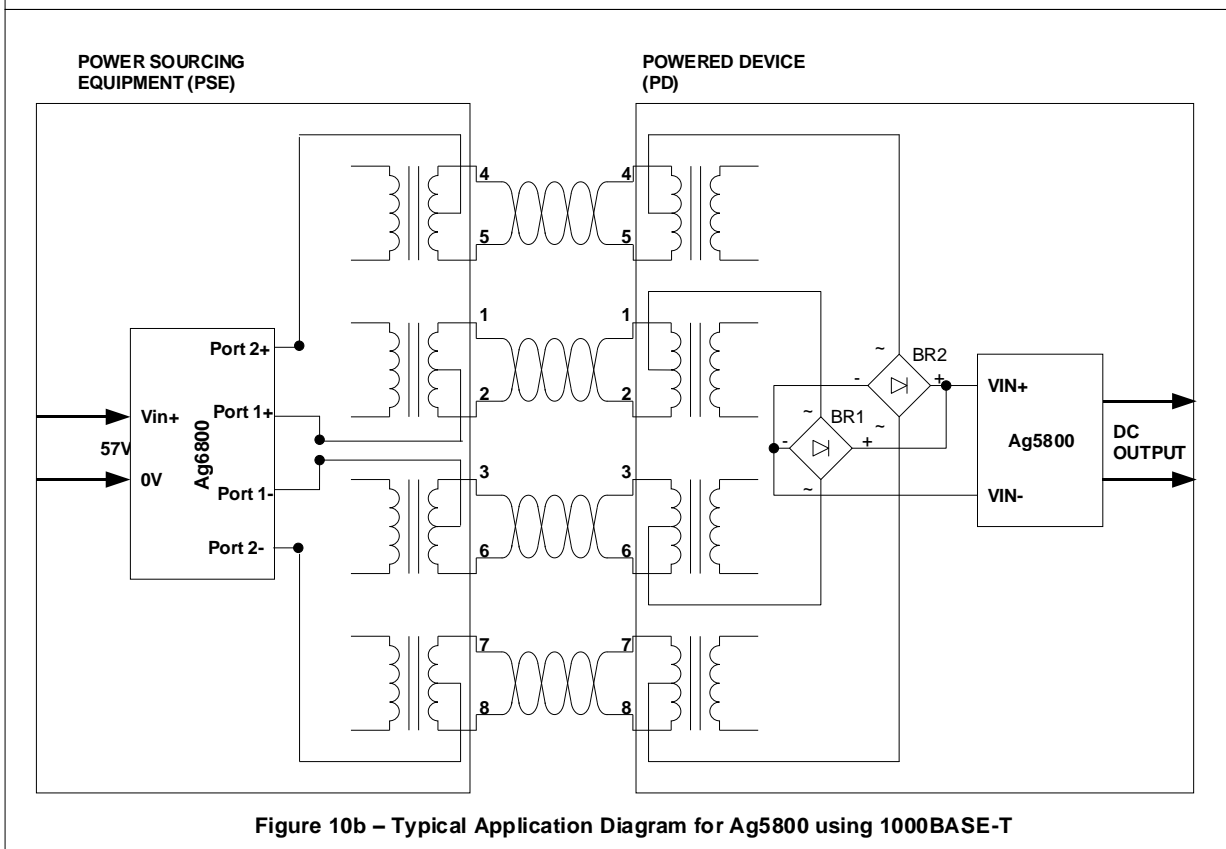


Figure 10b – Typical Application Diagram for Ag5800 using 1000BASE-T

Figure 10: High Power configuration

3 Operating Temperature Range

It is important to remember that Ag5800 is a power supply, and as such careful consideration should be taken over the mechanical design of the host product, with provision for heat sinking and/or forced air cooling.

The Ag5800 will generate heat and has been designed to be soldered into the customers PCB which thermally connects the Ag5800 through the use of thermal pad or thermal paste such as thermally conductive oxime cure paste. The customer's PCB can then be thermally mounted (using a Bergquist 0.1" ultra soft gap pad) to the chassis of the host equipment. Further thermal relief can be in the form of cooled or forced air, improving the power output.

Each application is different so it is impossible to give fixed and absolute thermal recommendations. However to obtain maximum power it is important that any enclosure used has sufficient heatsinking, ventilation and airflow over the Ag5800.

Figure 11 shows the maximum ambient temperature under continuous load conditions. The Ag5800 is capable of handling 85W up to 70°C with continuous airflow while thermally heatsinked to the customers PCB and enclosure. A suggested mounting method is shown in Figure 16.

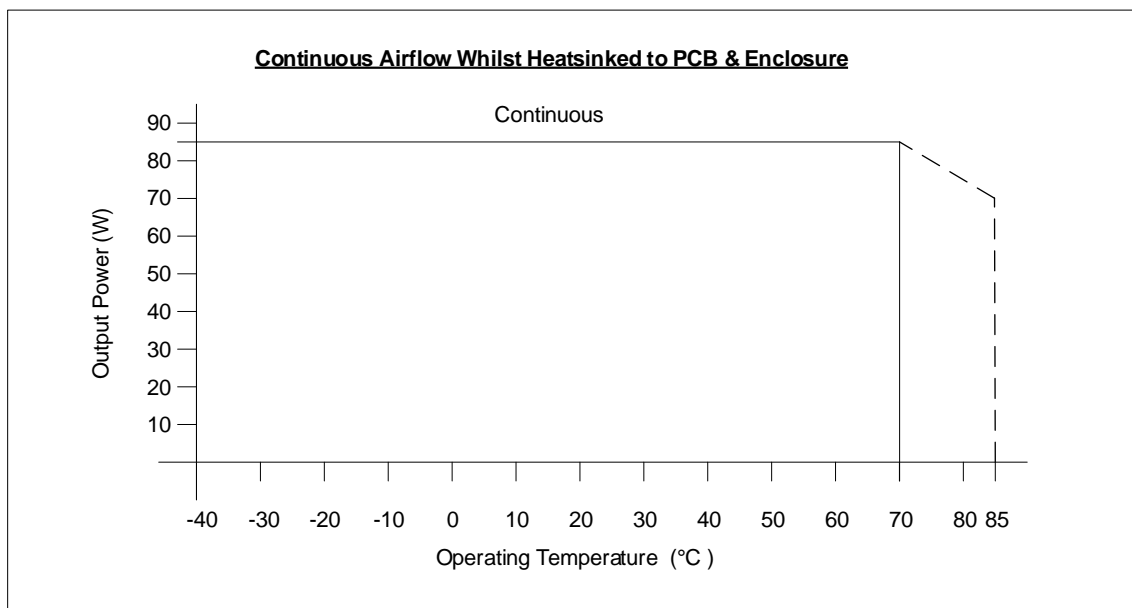


Figure 11: Operating Temperature

If the Ag5800 is thermally connected to the PCB and the customers' enclosure, then 85W can only be obtained up to 60°C as shown in Figure 12.

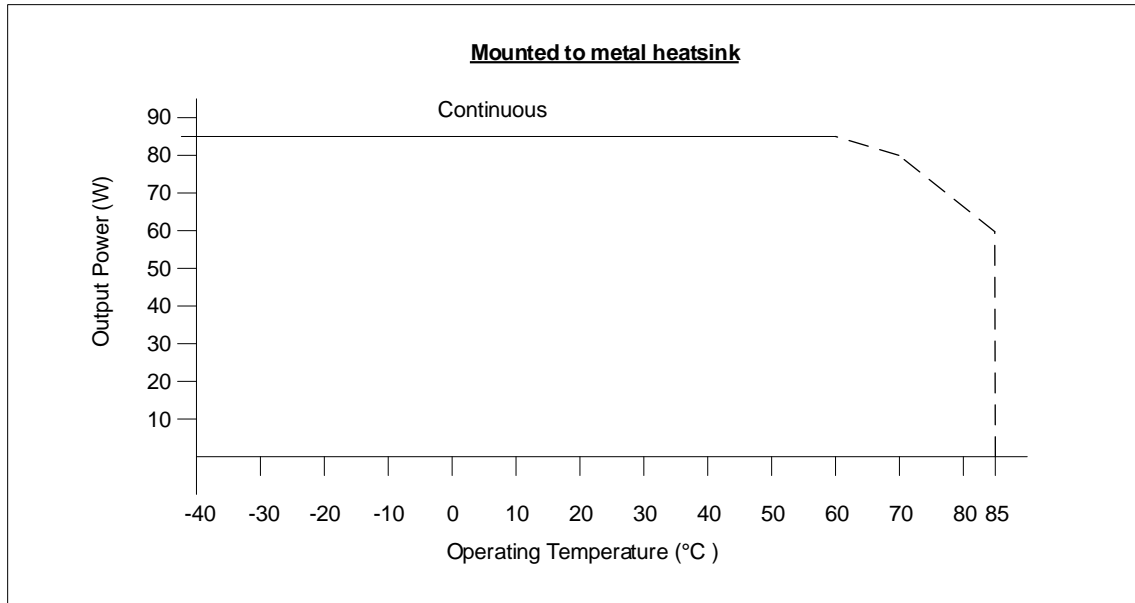


Figure 12: Operating Temperature (Thermally connected to PCB and enclosure)

If the Ag5800 is thermally connected to the PCB only, then 85W can only be obtained up to 50°C as shown in Figure 13.

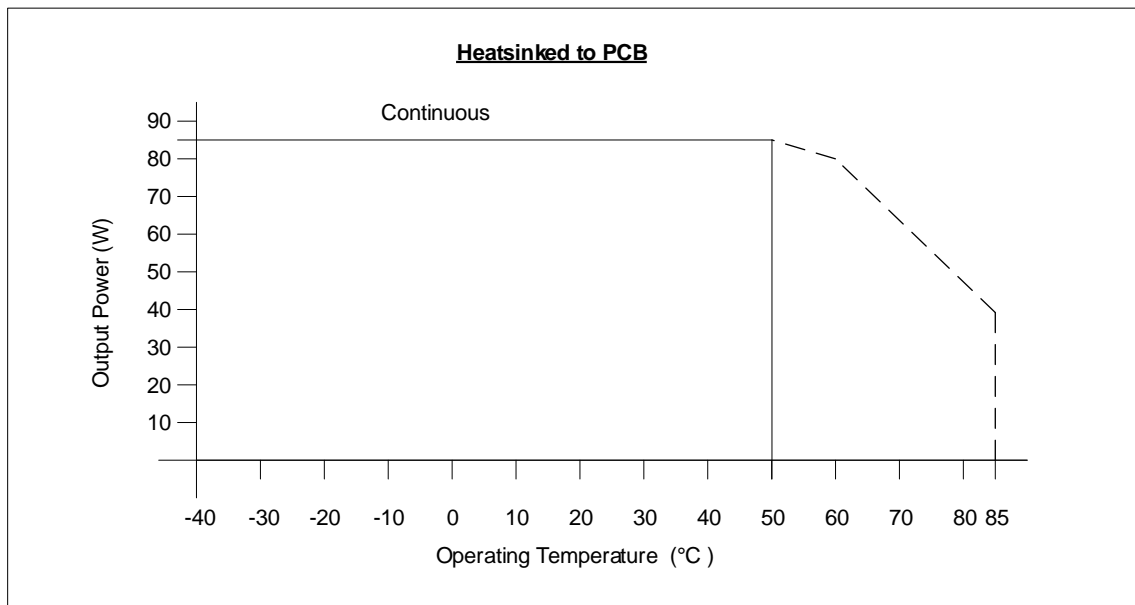


Figure 13: Operating Temperature (Thermally connected to PCB)

Suggested layout and dimensions of the thermal relief pads can be found in Figure 14 and Figure 15.

The Operating Temperature vs Power Output can be summarised as shown in Table 4 below:

Temperature	Heatsink Type- Ag5800 to:		
	PCB	PCB & Enclosure	PCB & Enclosure & Air Flow
30°C	85W	85W	85W
40°C	85W	85W	85W
50°C	85W	85W	85W
60°C	80W	85W	85W
70°C	70W	80W	85W
85°C	40W	60W	70W

Table 4: Operating Temperature vs Power Output

When intended for use in ambient temperatures below 0°C we would recommend a low ESR electrolytic capacitor be used on the DC output. Capacitors rated for -55°C operation should be used below 0°C.

3.1 PCB Thermal Layout

To attain continuous 85W operation the Ag5800 must be thermally connected to the customers PCB and their enclosure or heatsink. The thermal layout should have copper pads with a via array to help draw the heat through the PCB to the heatsink. An example of a thermal layout can be found below in Figure 14 with dimensions shown in Figure 15.

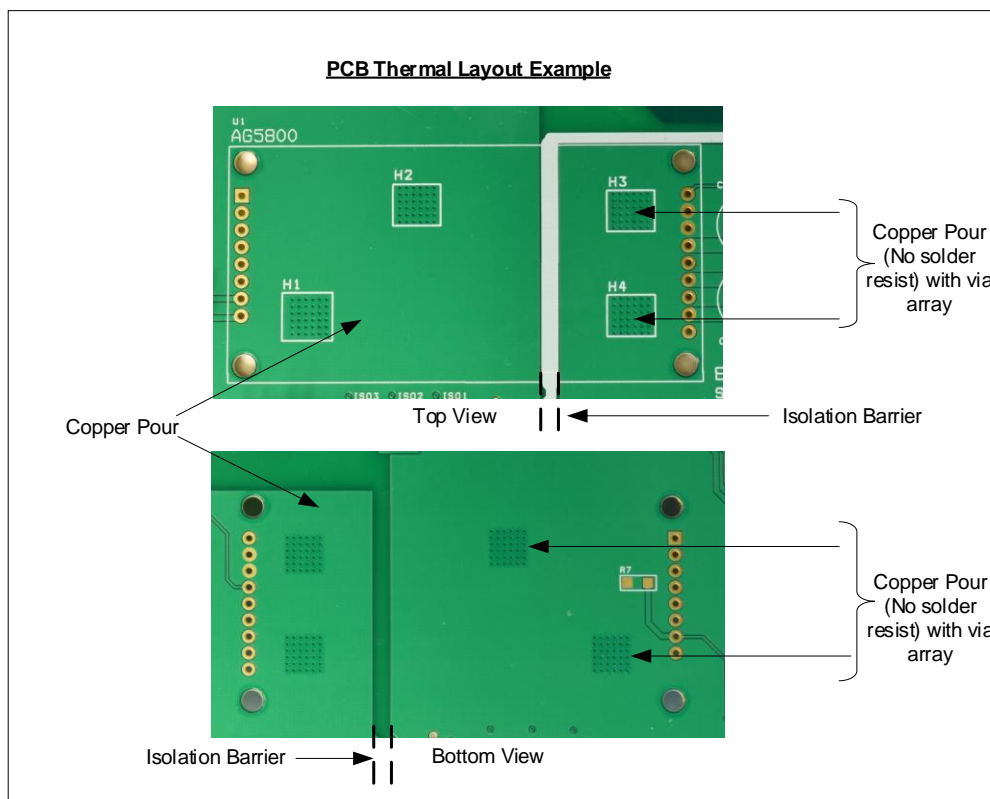


Figure 14: Suggested PCB Thermal Layout

3.2 Heatpad Footprint

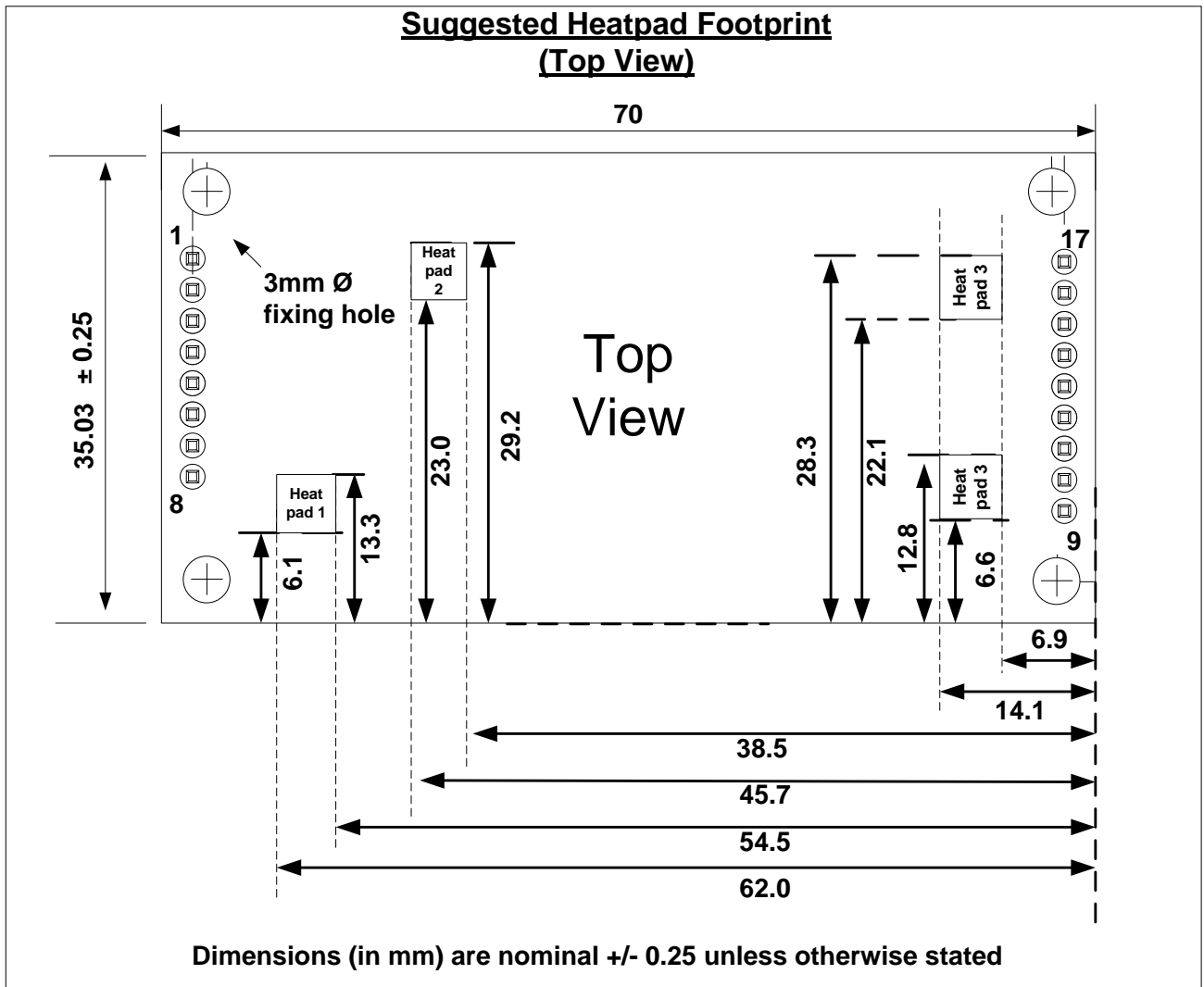


Figure 15: Suggested Heatpad Footprint

3.3 Heat Sink Assembly

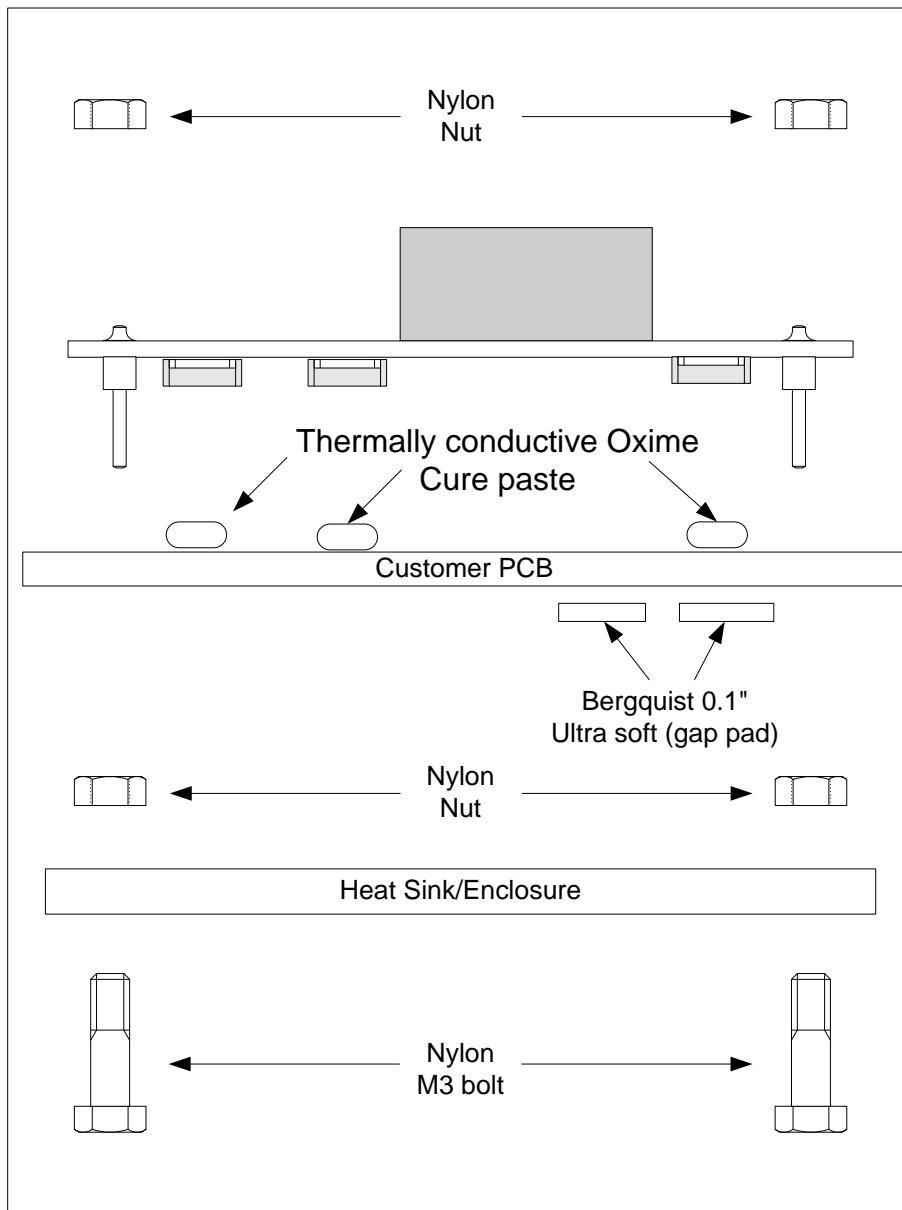


Figure 16: Suggested Heat Sink Assembly

4 Isolation

To meet the isolation requirements of IEEE802.3bt section 145.4.1 a Powered Device (PD) must pass the electrical strength test of IEC 60950 sub clause 6.2. This calls for either a) 1500VAC test or b) 2250V dc for 60s or c) 1500V impulse test. The Ag5800 has been designed to meet c) 1500V impulse test.

When mounting the module to the heat sink, you must ensure a clearance of 1.5mm minimum between the pins of the connectors and the heat sink or use some form of isolation such as at least two layers of 3M#56 insulating tape.

Figure 17 shows the position of the isolation barrier on the bottom of the Ag5800.



Figure 17: Position of the Isolation Barrier

5 Protection

The Ag5800 must be protected from over-voltages exceeding the 80V maximum rated surge input voltage. An inexpensive but effective solution can be achieved by connecting a tranzorb diode across the input; see apps note “ANX-POE-Protection”.

6 EMC

The Ag5800 has been designed to pass EN55032 Class B, however the Ag5800 will only be one component within a system so we would always advise that provisions are put in place in case further noise reductions are needed. From our extensive experience we would recommend the inexpensive but effective solution to reduce emissions shown in Figure 18.

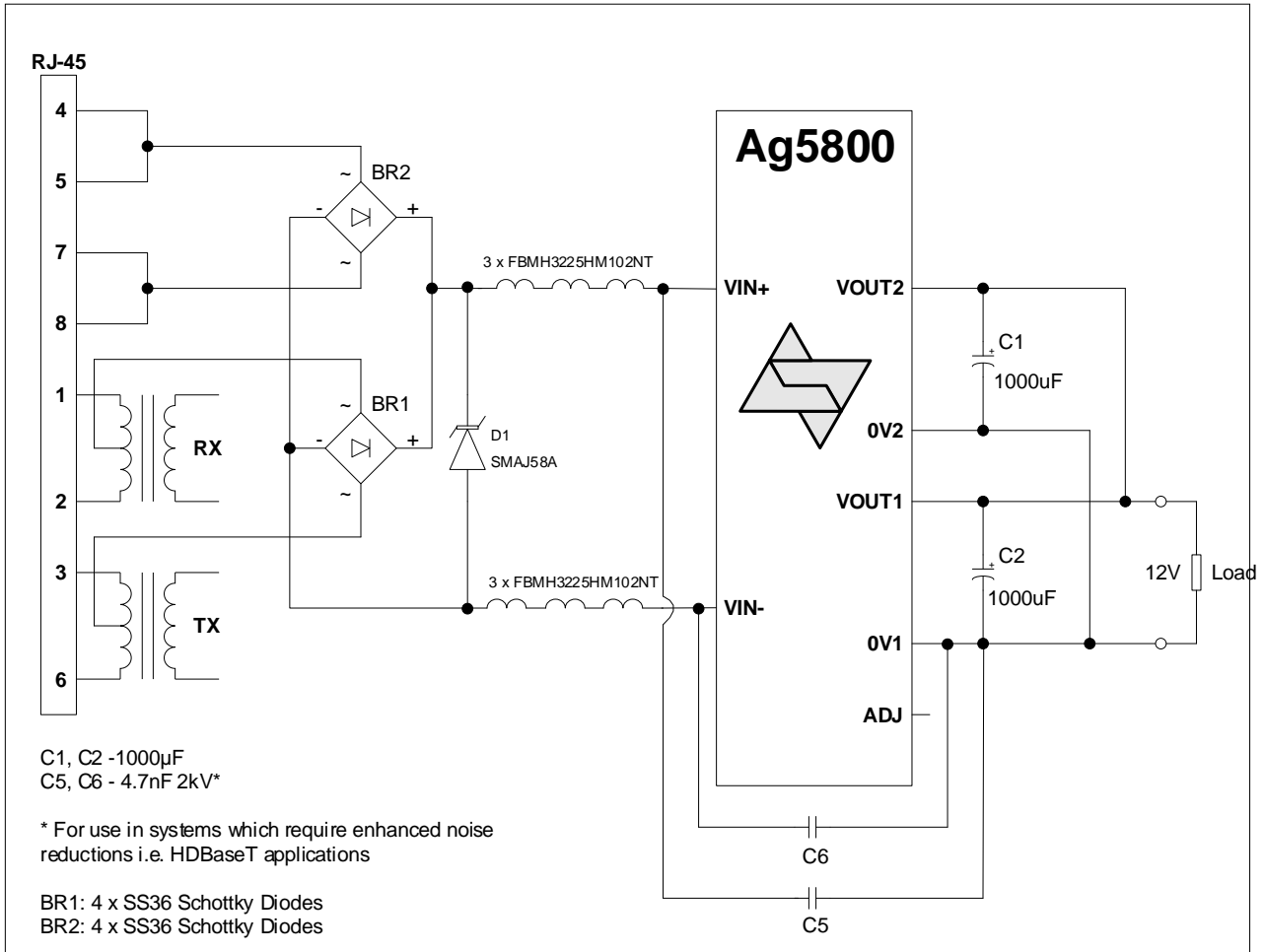


Figure 18: EMC Filtering

7 Electrical Characteristics

7.1 Absolute Maximum Ratings¹

	Parameter	Symbol	Min	Max	Units
1	DC Supply Voltage	V _{CC}	-0.3	60	V
2	DC Supply Voltage Surge for 1ms	V _{SURGE}	-0.6	80	V
3	Storage Temperature	T _S	-40	+100	OC

Note 1: Exceeding the above ratings may cause permanent damage to the product. Functional operation under these conditions is not implied. Maximum ratings assume free airflow.

7.2 Recommended Operating Conditions

	Parameter	Symbol	Min	Typ	Max	Units
1	Input Supply Voltage ¹	V _{IN}	36	52	57	V
2	Under Voltage Lockout	V _{LOCK}	30		36	V
3	Operating Temperature ²	T _{OP}	-40	25	85	Ta / °C

Note 1: Output power limited by PSE current limit and supply voltage.

Note 2: See Section 3- Operating Temperature Range.

7.3 DC Electrical Characteristics

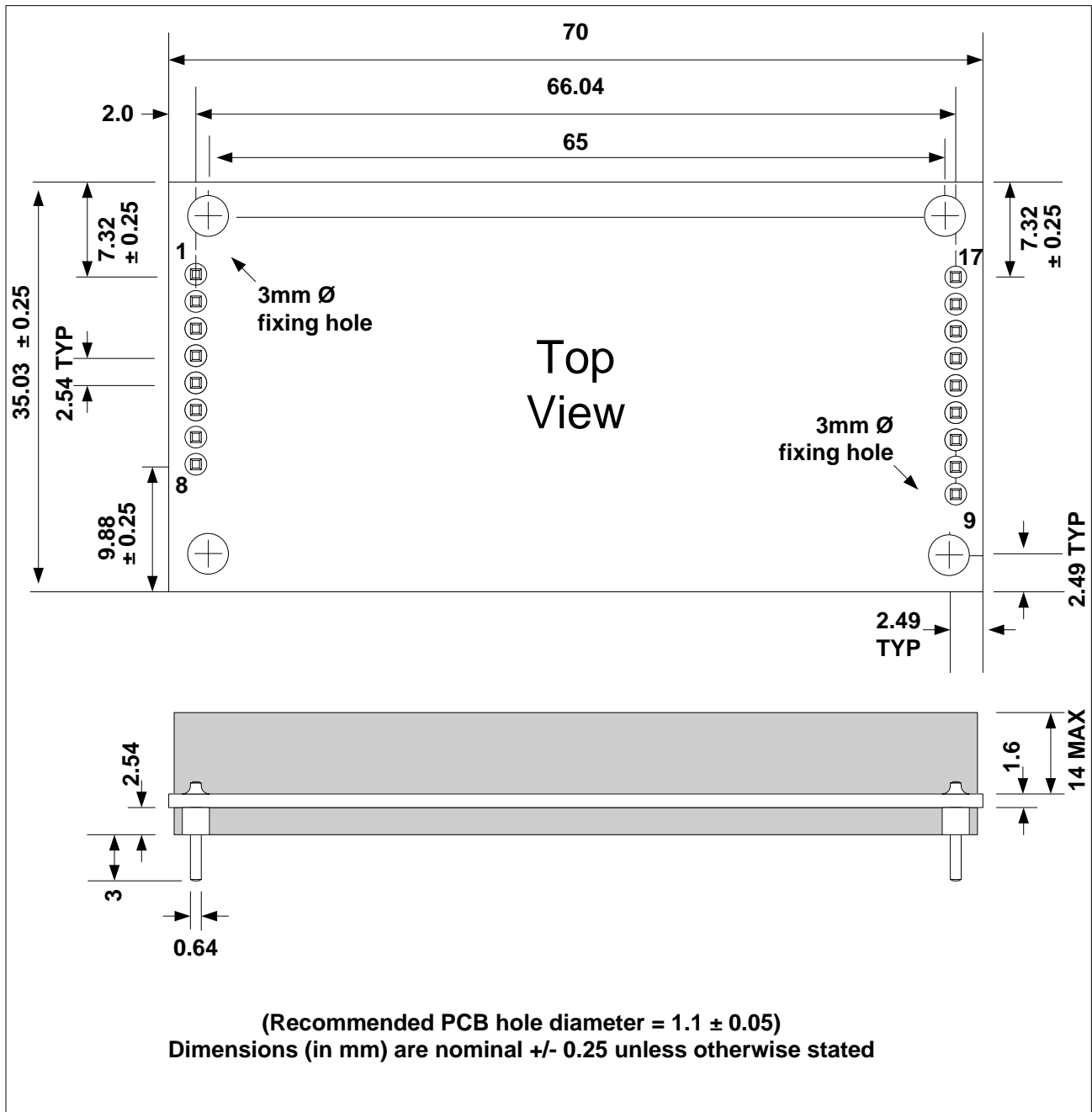
	DC Characteristic	Sym	Variant	Min	Typ ¹	Max	Units	Test Comments
1	Nominal Output Voltage	+VDC	12V	11	12	12.6	V	
			24V	23	24	25.2		
2	Voltage Adjust Range	V _{ADJ}	12V	11		15	V	See Output Adjustment
			24V	21		30.2		
3	Continuous Output Current ²	I _{CONT}	12V			7.1	A	V _{IN} = 52V Min
			24V			3.6		
4	Output Ripple	V _R	12V		37		mV _{p-p}	@ Max load
			24V		74			
5	Output Ripple and Noise	V _{Rn}	12V		180		mV _{p-p}	@ Max load
			24V		360			
6	Line Regulation	V _{LINE}			0.1		%	@ 50W Load
7	Load Regulation	V _{LOAD}			0.1		%	@ V _{IN} =52V
8	Minimum Load ³	I _{MIN}		0			mA	
9	Short-Circuit Duration	T _{SC}				∞	sec	
10	Efficiency	Eff			89		%	V _{in} = 52V @4A Load
11	Isolation Voltage (I/O)	V _{ISO}				1500	V _{PK}	Impulse Test

Note 1: Typical figures are at 25°C with a nominal 57V supply, parallel output configuration (unless otherwise stated) and are for design aid only. Not Guaranteed

Note 2: The output can operate up to 100W with a DC Supply but must not exceed 100W or 8.4A Parallel / 4.2A Series.

Note 3: The Ag5800 has been designed to work normally when no load is connected, however a small load maybe required in order to keep the PSE on during its MPS check.

8 Package



The latest revision of all application notes referenced in this document can be found on the Silver Telecom website" www.silvertel.com".

Information published in this datasheet is believed to be correct and accurate. Silver Telecom assumes no liability for errors which may occur or for liability otherwise arising out of use of this information or infringement of patents which may occur as a result of such use. No license is granted by this document under patents owned by Silver Telecom or licensed from third parties by Silver Telecom. The products, their specification and information appearing in this document are subject to change by Silver Telecom without notice.

Mouser Electronics

Authorized Distributor

Click to View Pricing, Inventory, Delivery & Lifecycle Information:

[Silvertel:](#)

[Ag5800](#)