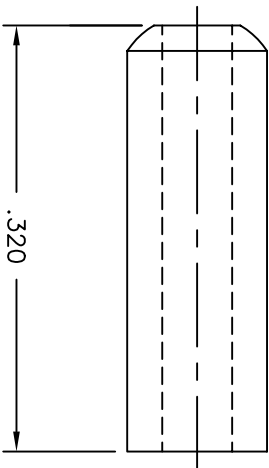
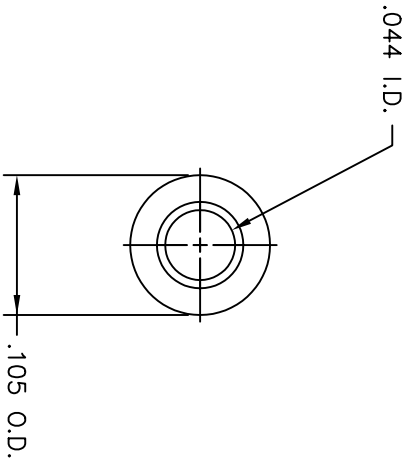


REVISIONS				
REV. SYM.	E.C.O. NUMBER	DESCRIPTION	BY DATE	APP'D DATE
1		ORIGINAL RELEASE	JML 6/17/03	RRR 6/17/03

**UNCONTROLLED DOCUMENT  
WILL NOT BE UPDATED**



<b>RESTRICTED &amp; CONFIDENTIAL</b> <small>CONFIDENTIAL PROPERTY OF DANIELS MANUFACTURING CORP. NOT TO BE DISCLOSED TO OTHERS, REPRODUCED OR USED FOR ANY OTHER PURPOSE, EXCEPT AS AUTHORIZED BY DANIELS MANUFACTURING CORP. MUST BE RETURNED TO DANIELS MANUFACTURING CORP. ON COMPLETION OF ORDER OR OTHER PURPOSE FOR WHICH LENT.</small>		MATERIAL		ITEM		PART NO.		DESCRIPTION/REMARKS	
				FINISH		DRW. J. JOYCE DATE 6/17/03 CHK'D. RRR DATE 6/17/03 APP'D. DATE		<b>DMS</b> DANIELS MANUFACTURING CORP. ORLANDO, FLORIDA CAGE 11851	
<b>DO NOT SCALE DRAWING</b>		HEAT TREAT		NOTE: THIS DRAWING IS AN OUTLINE DRAWING OF THE RESPECTIVE PART NUMBER IS DRAWING NUMBER WITHOUT THE "-ENV" SUFFIX.		WHERE USED: SCALE 10/1 CAD P/A F10-04-ENV 1		TITLE ELONGATED FERRULE FOR $\phi$ .032 SAFE-T-CABLE ENVELOPE DRAWING	
		SHEET 1 OF 1 REV. 1		CAD P/A F10-04-ENV 1 DWG. NO. F10-04-ENV		SHEET 1 OF 1 REV. 1			

2. FERRULES ARE PACKAGED IN GROUPS OF 50 PIECES.
1. MATERIAL: AMS 5570 (UNS S32100) SEAMLESS TUBING,

NOTES:

# Mouser Electronics

Authorized Distributor

Click to View Pricing, Inventory, Delivery & Lifecycle Information:

[Daniels Manufacturing:](#)

[AS3618-02F](#)