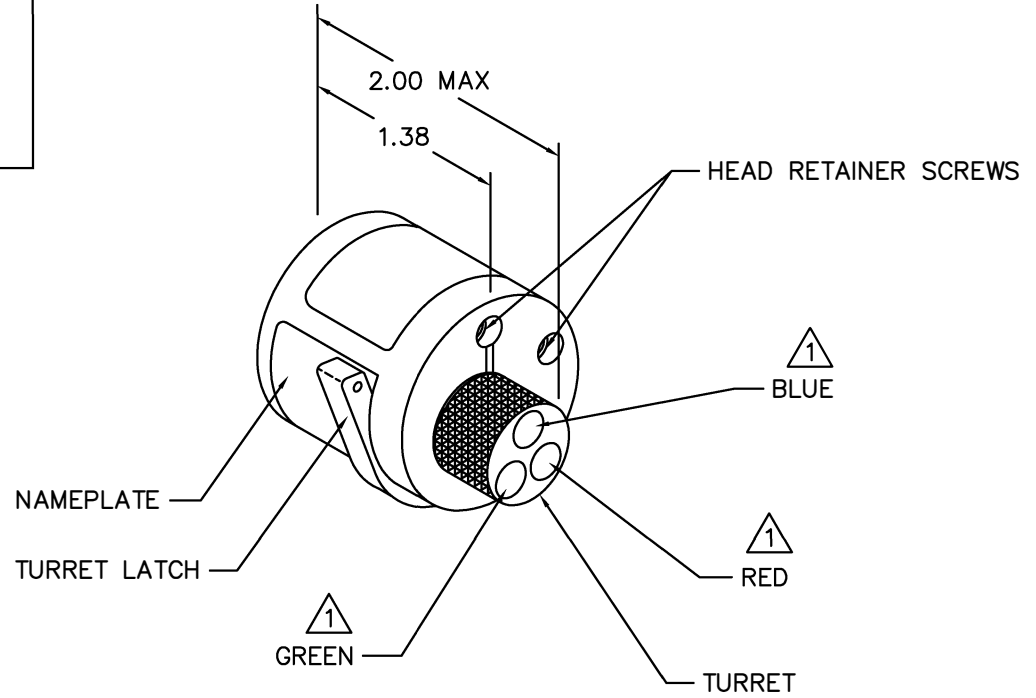
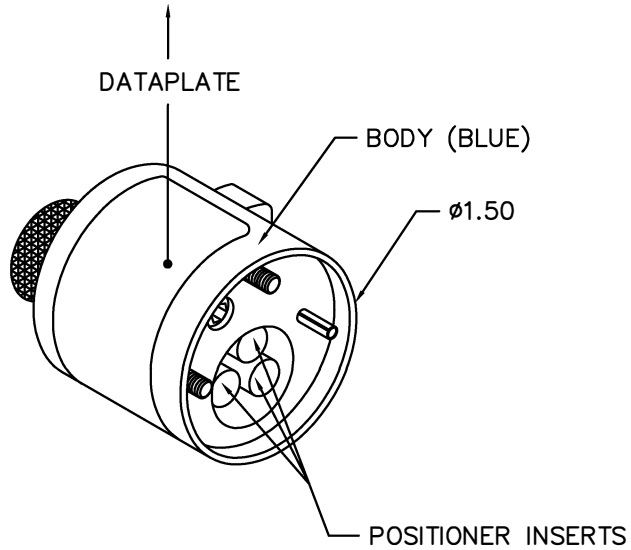


ITT Cannon order number: TH452

CONTACT SIZE	CONTACTS	COLOR CODE	18	16	14	12	WIRE SIZE
12/P	030-8588-XXX	RED			7	8	SELECTOR NUMBER
16/S	031-8639-120						
12/S	031-8557-XXX						
16/S	031-8556-XXX	5	6				
16S/P	030-8586-XXX	BLUE	5	6			
16S/P	330-8744-000						
16/P	030-8587-XXX	GREEN	5	6			
16S/S	031-8555-XXX						
16S/S	031-8688-110						
16/P	330-8659-000						

REVISIONS				
REV. SYM.	E.C.O. NUMBER	DESCRIPTION	BY DATE	APP'D DATE
2	15214	ADDED CONTACT P/N'S	AAM 8-8-96	RRR 8-8-96

**UNCONTROLLED DOCUMENT
WILL NOT BE UPDATED**



POSITIONER COLOR	HOLE DIMENSIONS	ADDITIONAL FEATURES
RED	ø.199 ↕.965	
BLUE	ø.136 ↕.570	
GREEN	ø.070 ↕.726	└┘ ø.136 ↕.645

HOLE AND COUNTERBORE DEPTHS ARE MEASURED FROM TOP OF POSITIONER INSERTS.

RESTRICTED & CONFIDENTIAL		ITEM	PART NO.	QTY.	DESCRIPTION/REMARKS
		DRN.	LME	DATE	DMC DANIELS MANUFACTURING CORP. ORLANDO, FLORIDA CAGE 11851
		CHK'D.	BY	DATE	
		APP'D.	AAM	DATE	
APP'D.		DATE			
DO NOT SCALE DRAWING		NOTE: THIS DRAWING IS AN OUTLINE DRAWING OF THE RESPECTIVE DMC PART NUMBER INDICATED. ACTUAL DMC PART NUMBER IS DRAWING NUMBER WITHOUT THE "-ENV" SUFFIX.		TITLE ENVELOPE DRAWING TURRET HEAD	
		SIZE	SCALE	CAD P/N	SHEET OF
		POSTING	NTS	TH452-ENV	1 1
		DWG. NO.		TH452-ENV	REV. 2

Mouser Electronics

Authorized Distributor

Click to View Pricing, Inventory, Delivery & Lifecycle Information:

[Daniels Manufacturing:](#)

[TH452](#)