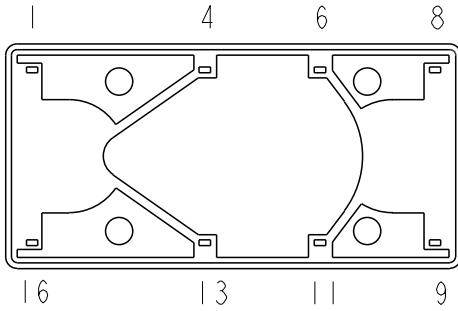
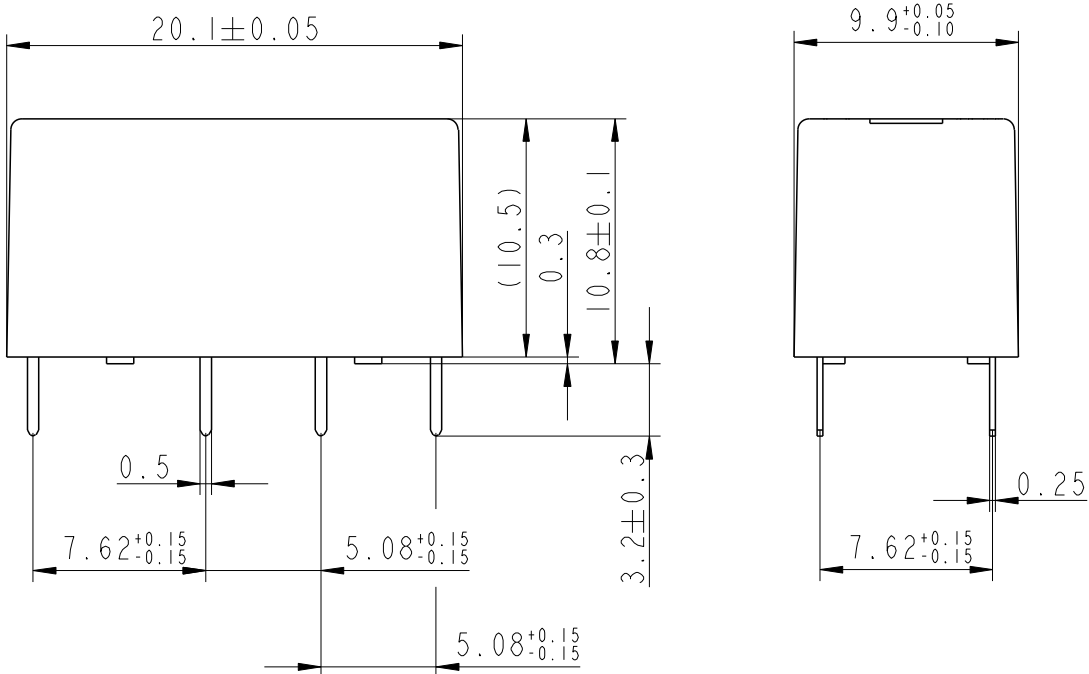


LOC	DIST	REVISIONS					
		P	LTR	DESCRIPTION	DATE	DWN	APVD
HJ	-		A7	Revised relay dimensions	06Sep2012	MV	PH
			A8	ECR-15-002263	29Jan2015	MV	PH



Relay - bottom view



AXICOM
D2n*
zzV DC **us**
V23105A5xxx A201*

xxx = Relay type
 zz = nominal voltage
 YYWW = Date code

alias C23303-A105-A1-*-27

RELEASED FOR PUBLICATION

THIS DRAWING IS UNPUBLISHED.

© COPYRIGHT BY TYCO-ELECTRONICS CORPORATION. ALL RIGHTS RESERVED.

DIMENSIONS: mm	DWN	05May2004	MATERIAL	-	FINISH	-
	CHK	05May2004				
TOLERANCES UNLESS OTHERWISE SPECIFIED: DIN 7168-m	APVD	05May2004				
	PRODUCT SPEC	-	NAME D2n Relays Dimensions			
0 PLC ±-	APPLICATION SPEC	-	SIZE	CAGE CODE	DRAWING NO	RESTRICTED TO
1 PLC ±			A4	00779	C-1393792-2	-
2 PLC ±						
3 PLC ±						
4 PLC ±						
ANGLES ±						
	WEIGHT	-				
	CUSTOMER DRAWING		SCALE	3:1	SHEET	1 OF 1
					REV	A8